

Evaluation Board for CS5361

Features

- Demonstrates recommended layout and grounding arrangements
- CS8405A generates S/PDIF, and EIAJ-340 compatible digital audio
- Requires only an analog signal source and power supplies for a complete Analog-to-Digital-Converter system

Description

The CDB5361 evaluation board is an excellent means for quickly evaluating the CS5361 24-bit, stereo A/D converter. Evaluation requires a digital signal analyzer, an analog signal source, and a power supply.

Also included is a CS8405A digital audio interface transmitter which generates S/PDIF, and EIAJ-340 compatible audio data. The digital audio data is available via RCA phono and optical connectors.

ORDERING INFORMATION

CDB5361 Evaluation Board

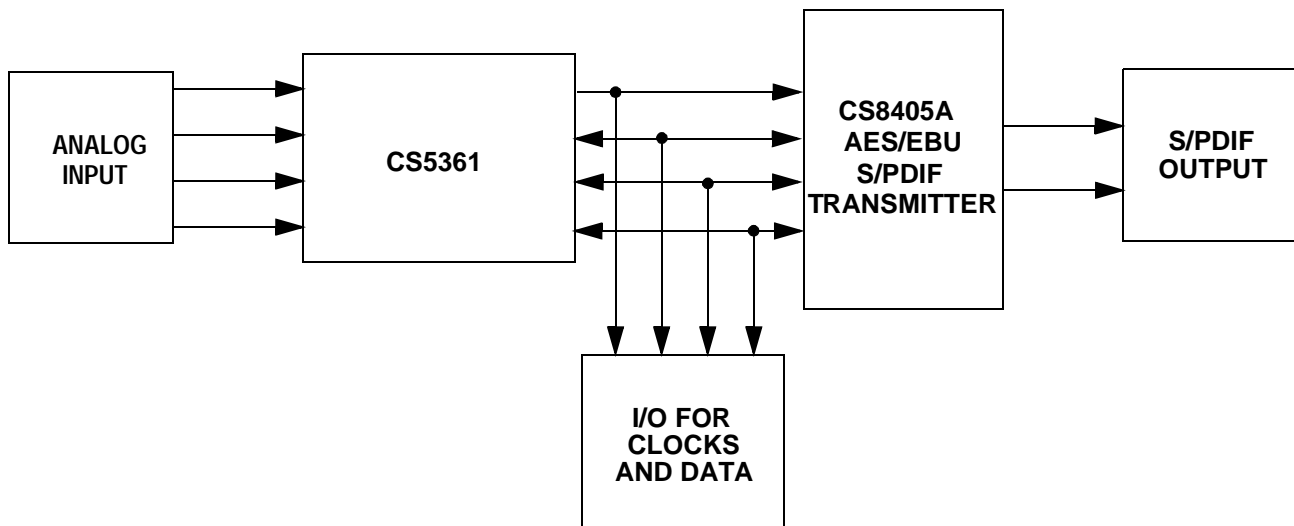


TABLE OF CONTENTS

1. CDB5361 SYSTEM OVERVIEW	3
2. CS5361 ANALOG TO DIGITAL CONVERTER	3
3. CS8405A DIGITAL AUDIO TRANSMITTER	3
4. INPUT/OUTPUT FOR CLOCKS AND DATA	3
5. POWER SUPPLY CIRCUITRY	3
6. GROUNDING AND POWER SUPPLY DECOUPLING	3
7. ANALOG INPUT FILTER	3

LIST OF FIGURES

Figure 1. System Block Diagram and Signal Flow	5
Figure 2. Right Channel Analog Audio Input	6
Figure 3. Left Channel Analog Audio Input	7
Figure 4. CS5361	8
Figure 5. Level Shifters	9
Figure 6. I/O for Clocks/Data	10
Figure 7. CS8405A Digital Audio Interface	10
Figure 8. Digital Audio Output	11
Figure 9. Reset Circuit	11
Figure 10. Power Circuit	12
Figure 11. Top Layer Silkscreen	13
Figure 12. Top Layer	14
Figure 13. Bottom Layer	15

LIST OF TABLES

Table 1. System Connections	4
Table 2. CDB5361 Jumper and Switch Settings	4

Contacting Cirrus Logic Support

For a complete listing of Direct Sales, Distributor, and Sales Representative contacts, visit the Cirrus Logic web site at:
<http://www.cirrus.com/corporate/contacts/>

Preliminary product information describes products which are in production, but for which full characterization data is not yet available. Advance product information describes products which are in development and subject to development changes. Cirrus Logic, Inc. has made best efforts to ensure that the information contained in this document is accurate and reliable. However, the information is subject to change without notice and is provided "AS IS" without warranty of any kind (express or implied). Customers are advised to obtain the latest version of relevant information to verify, before placing orders, that information being relied on is current and complete. All products are sold subject to the terms and conditions of sale supplied at the time of order acknowledgment, including those pertaining to warranty, patent infringement, and limitation of liability. No responsibility is assumed by Cirrus Logic, Inc. for the use of this information, including use of this information as the basis for manufacture or sale of any items, nor for infringements of patents or other rights of third parties. This document is the property of Cirrus Logic, Inc. and by furnishing this information, Cirrus Logic, Inc. grants no license, express or implied under any patents, mask work rights, copyrights, trademarks, trade secrets or other intellectual property rights of Cirrus Logic, Inc. Cirrus Logic, Inc., copyright owner of the information contained herein, gives consent for copies to be made of the information only for use within your organization with respect to Cirrus Logic integrated circuits or other parts of Cirrus Logic, Inc. The same consent is given for similar information contained on any Cirrus Logic website or disk. This consent does not extend to other copying such as copying for general distribution, advertising or promotional purposes, or for creating any work for resale. The names of products of Cirrus Logic, Inc. or other vendors and suppliers appearing in this document may be trademarks or service marks of their respective owners which may be registered in some jurisdictions. A list of Cirrus Logic, Inc. trademarks and service marks can be found at <http://www.cirrus.com>.

1. CDB5361 SYSTEM OVERVIEW

The CDB5361 evaluation board is an excellent means of quickly evaluating the CS5361. The CS8405A digital audio interface transmitter provides an easy interface to digital audio signal analyzers including the majority of digital audio test equipment.

The CDB5361 schematic has been partitioned into 9 schematics shown in Figures 2 through 10. Each partitioned schematic is represented in the system diagram shown in Figure 1. Notice that the system diagram also includes the interconnections between the partitioned schematics.

2. CS5361 ANALOG TO DIGITAL CONVERTER

A description of the CS5361 is included in the CS5361 datasheet.

3. CS8405A DIGITAL AUDIO TRANSMITTER

The system generates and encodes standard S/PDIF data using a CS8405A Digital Audio Transmitter, Figure 7. The outputs of the CS8405A are RS422 compatible differential line drivers. The CS8405A supports both Left Justified and I²S data formats, as determined by the DIP switch, S2. A description of the CS8405A is included in the CS8405A datasheet.

4. INPUT/OUTPUT FOR CLOCKS AND DATA

The evaluation board has been designed to allow interfacing to external systems via the 10-pin header, J3. The schematic for the clock/data input/output is shown in Figure 6.

The CDB5361 allows some flexibility as to the generation of the clocks. When the CS5361 and CS8405A are in slave mode, the SCLK and LRCK must be provided via the header, J3. MCLK must be generated from the on board oscillator, Y1. This oscillator is socketed to allow other frequency oscillators to be used.

5. POWER SUPPLY CIRCUITRY

Power is supplied to the evaluation board by six binding posts (VEE, VCC, VD, VL, GND, +5 V), see Figure 10. VEE and VCC supply the input amplifiers while the VD input supplies the VD pin of the CS5361. VL supplies power to the VL pin of the CS5361 and to the level shifter circuits. The +5 V input supplies power to the +5 V digital circuitry and the VA pin of the CS5361.

6. GROUNDING AND POWER SUPPLY DECOUPLING

The CS5361 requires careful attention to power supply and grounding arrangements to optimize performance. Figure 4 details the power distribution used on this board. The decoupling capacitors are located as close to the CS5361 as possible. Extensive use of ground plane fill in the evaluation board yields large reductions in radiated noise.

7. ANALOG INPUT FILTER

The CDB5361 implements a single-ended to differential analog input buffer, as shown in Figures 2 and 3. Note that the first inverting stage attenuates the input by 0.5. This will allow the updated modal dynamics of a 2V_{rms} signal (single-ended) applied to the board to be 2V_{rms} (differential) going into the CS5361.

CONNECTOR	INPUT/OUTPUT	SIGNAL PRESENT
VEE	Input	-5V to -12V power
VCC	Input	+5V to +12V power
VD	Input	+3.3V to +5V power for the CS5361
VL	Input	+1.8V to +5V power for the CS5361
GND	Input	Ground connection from power supply
+5V	Input	+ 5 Volt power
AINL	Input	Analog input left channel
AINR	Input	Analog input right channel
Optical Output	Output	Digital audio output
Coax Output	Output	Digital audio output

Table 1. System Connections

JUMPER/SWITCH	PURPOSE	POSITION		FUNCTION SELECTED
J3	Input/Output for clocks/data	-		-
S1	Reset for the CDB5361	-		-
S2	CDB5361 Configuration	M1/M0	Open *Closed	Hi *Low
		5361	*Open Closed	CS5361 in Master mode CS5361 in Slave mode
		HPF	Open *Closed	High-pass filter is disabled High-pass filter is enabled
		DIV	Open *Closed	MCLK is divided by two internally by the CS5361 MCLK is not divided internally by the CS5361
		IO_HDR	Open *Closed	Header J3 is an input for clocks Header J3 is an output for clocks and data
		DIF	*Open Closed	Digital interface format set to I ² S Digital interface format set to Left Justified
		8405A	Open *Closed	CS8405A in Master mode CS8405A in Slave mode

Table 2. CDB5361 Jumper and Switch Settings

Notes: * denotes default factory settings

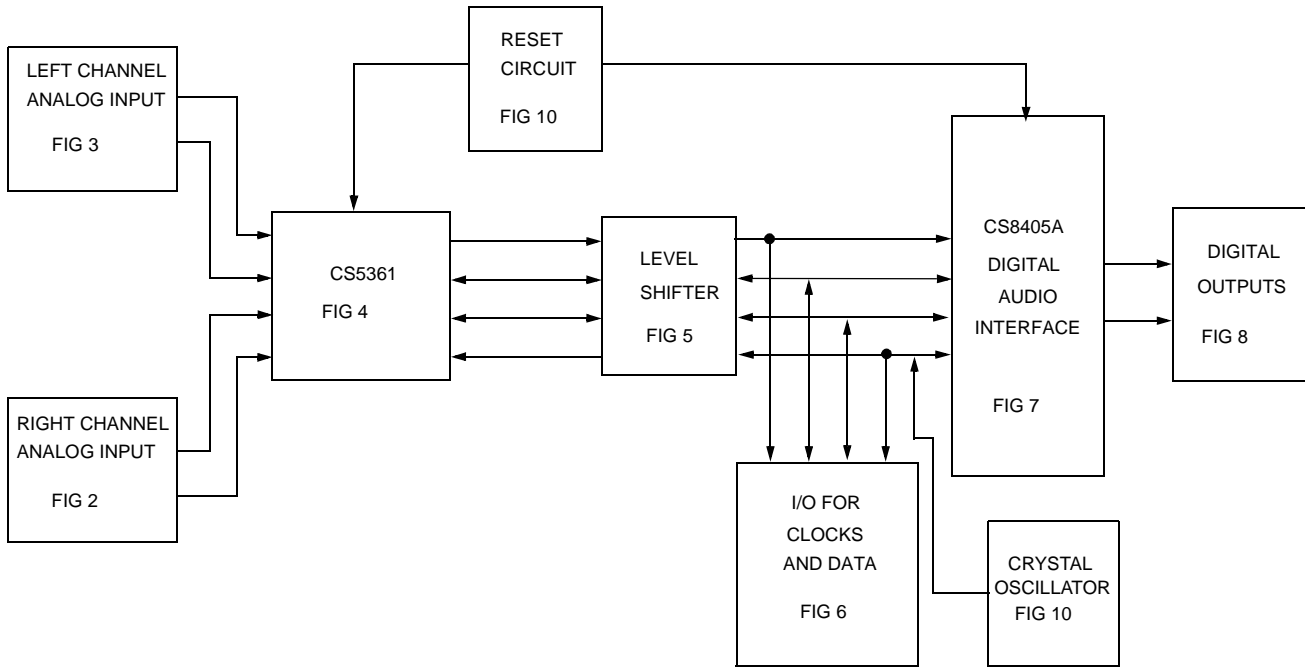


Figure 1. System Block Diagram and Signal Flow



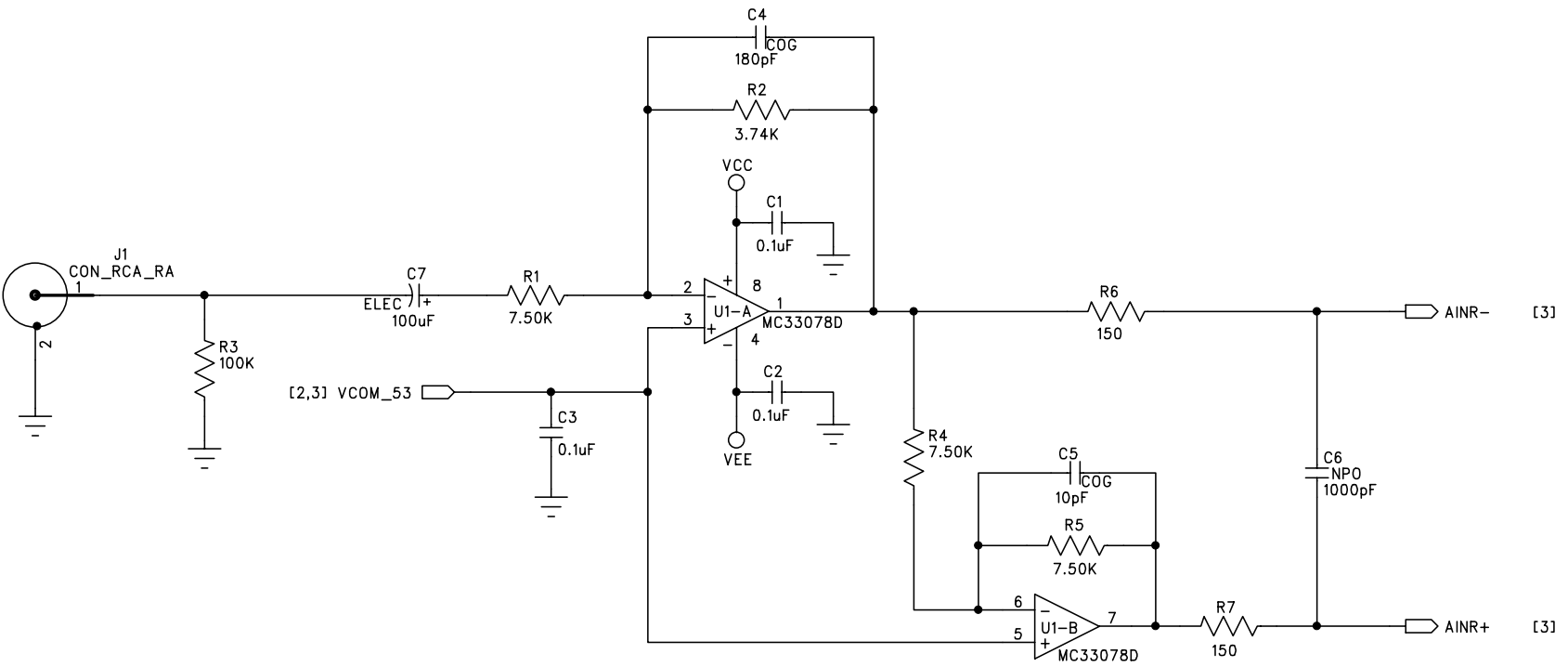


Figure 2. Right Channel Analog Audio Input



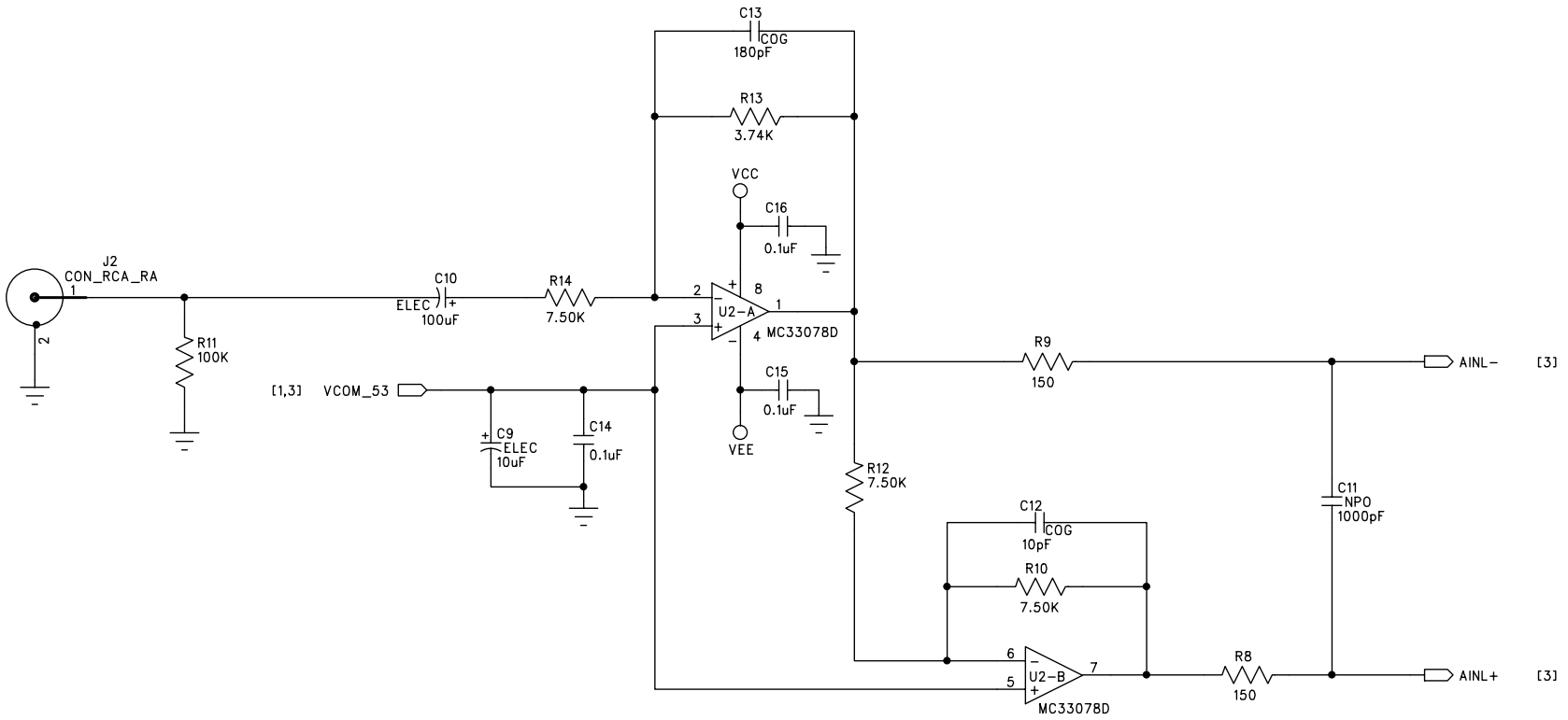
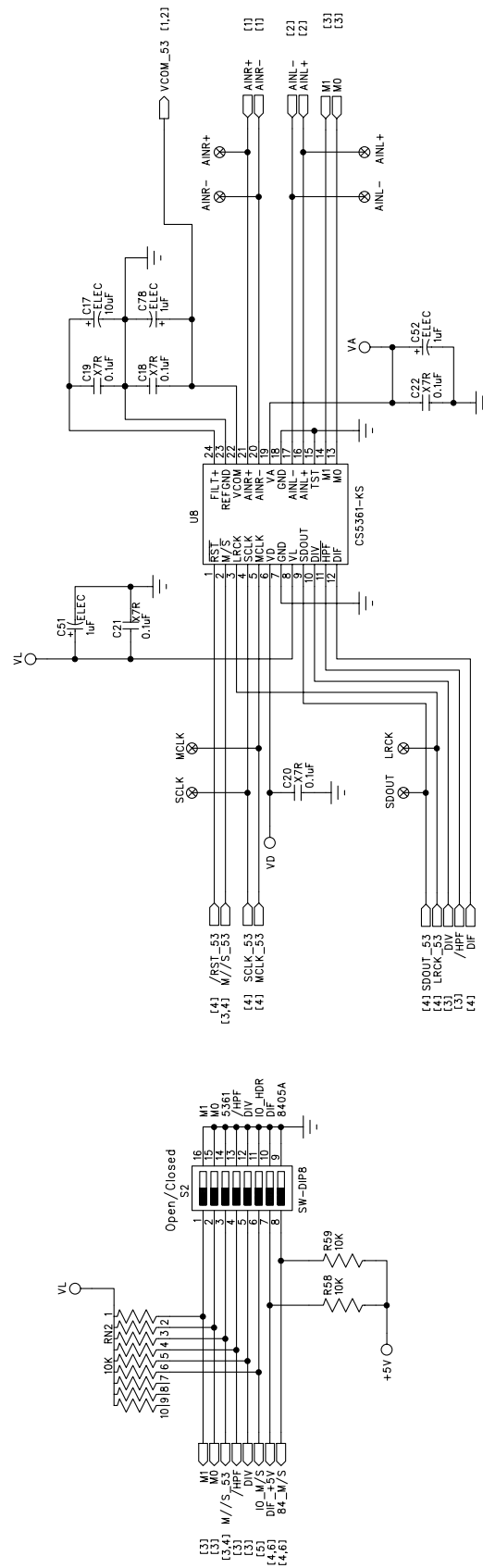


Figure 3. Left Channel Analog Audio Input


Figure 4. CS5361

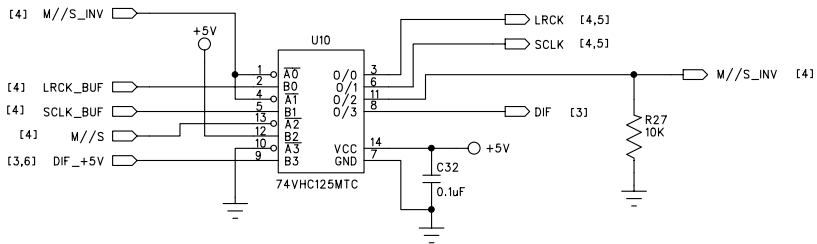
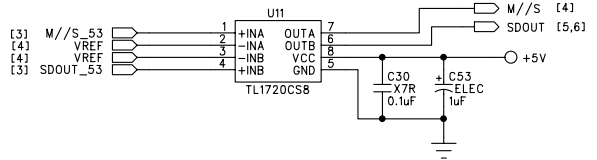
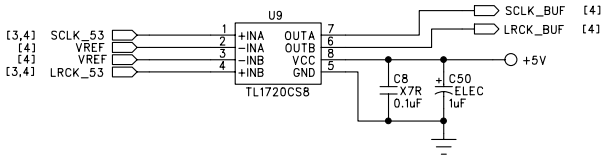
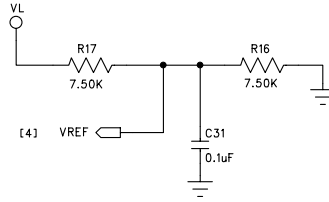
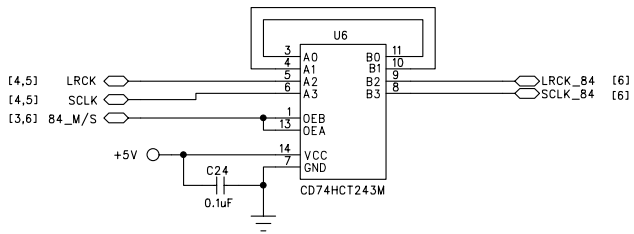
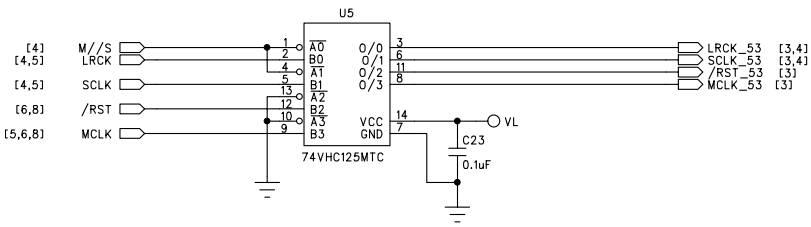


Figure 5. Level Shifters



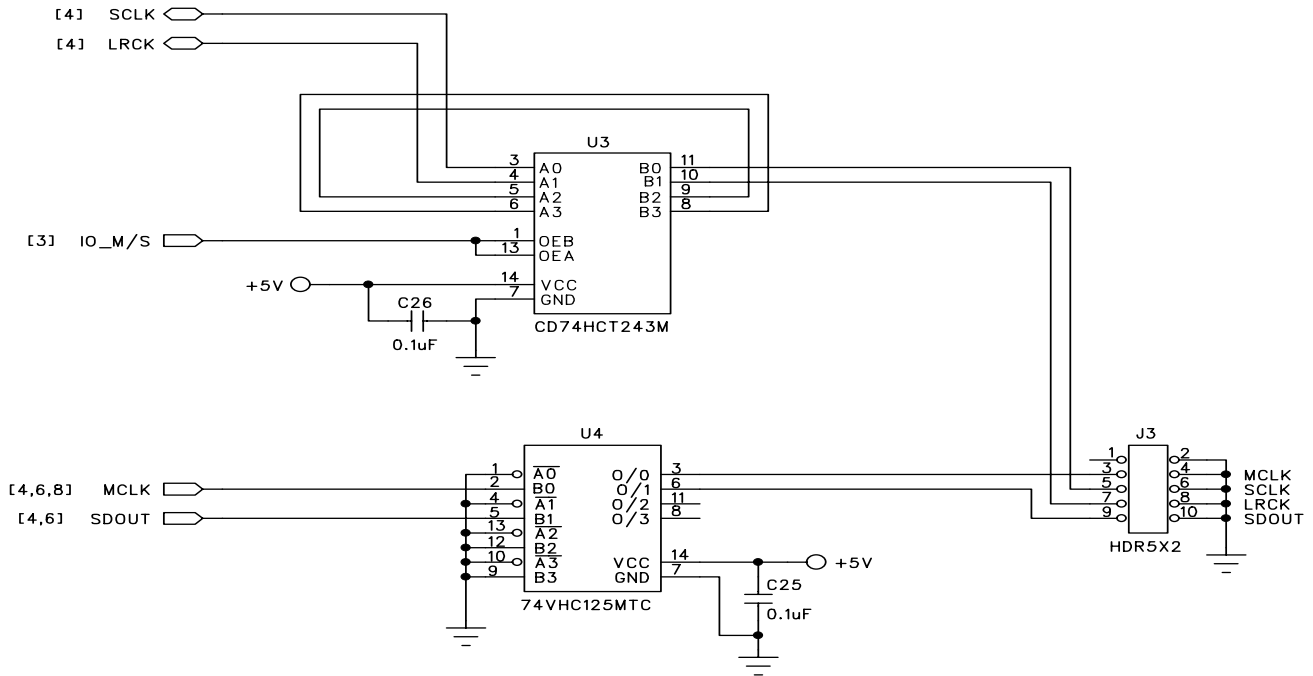


Figure 6. I/O for Clocks/Data

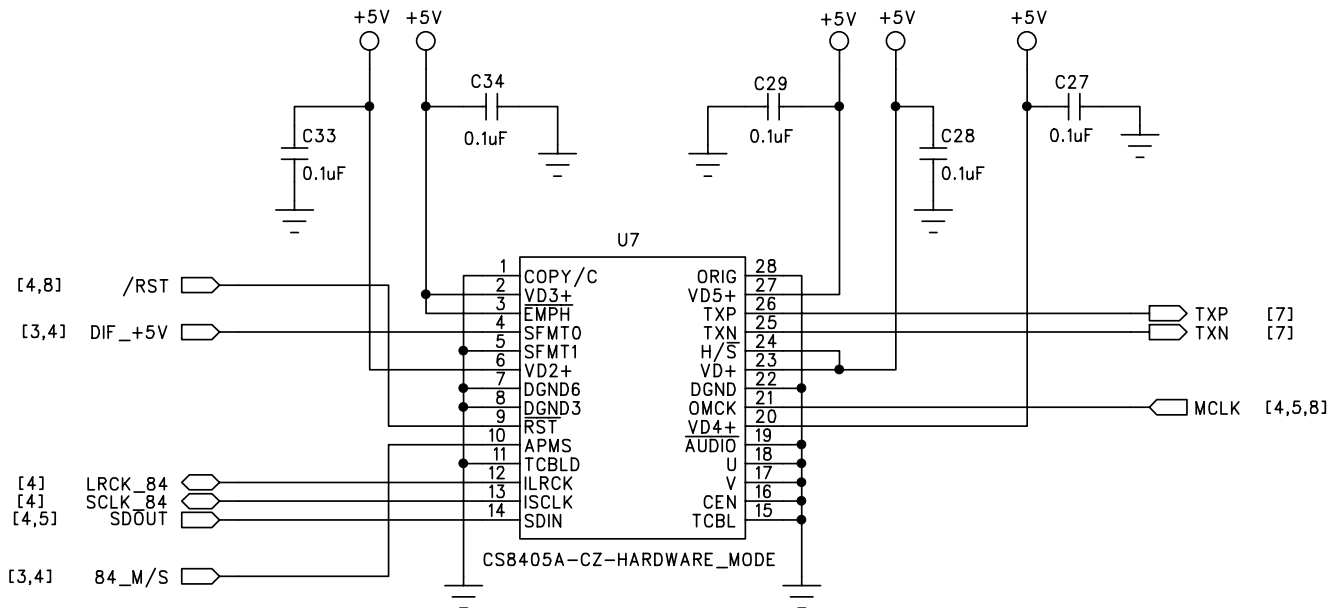


Figure 7. CS8405A Digital Audio Interface

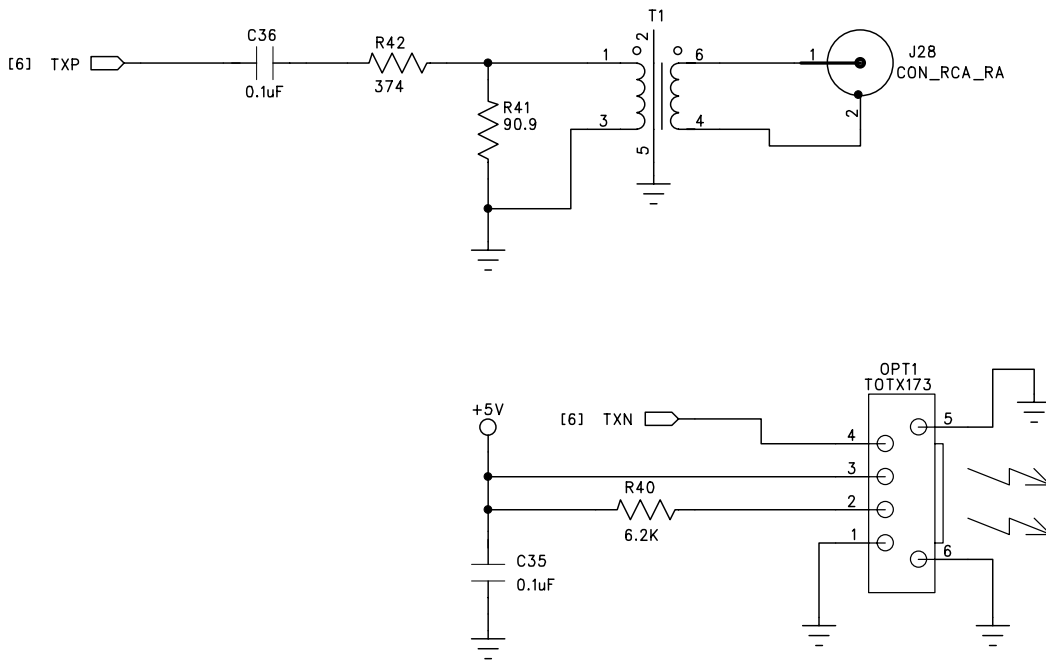


Figure 8. Digital Audio Output

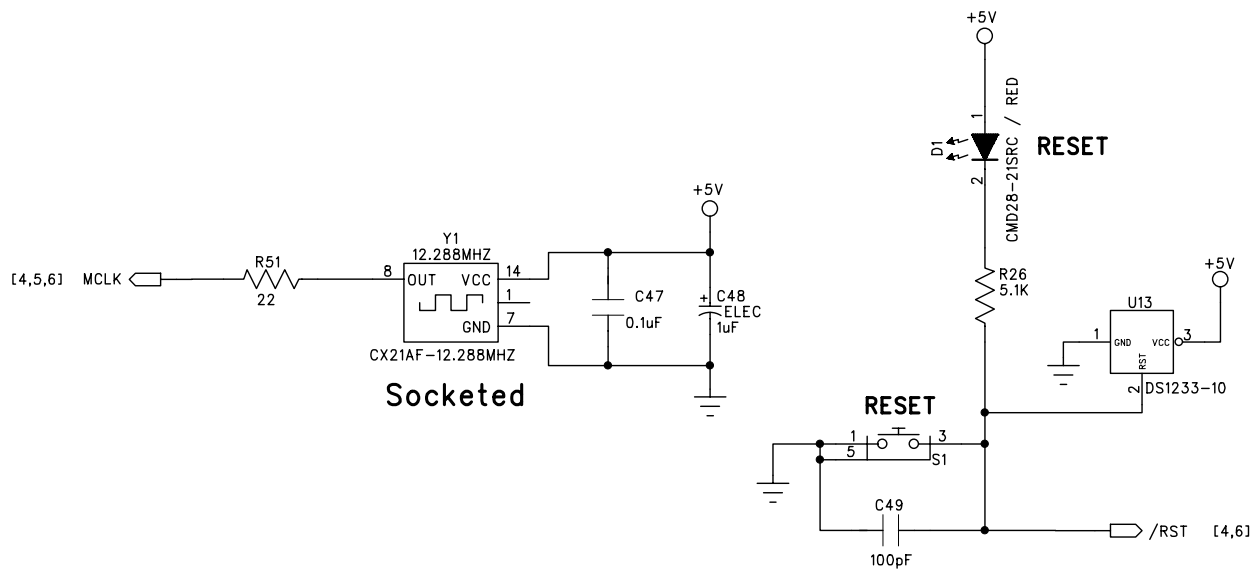


Figure 9. Reset Circuit

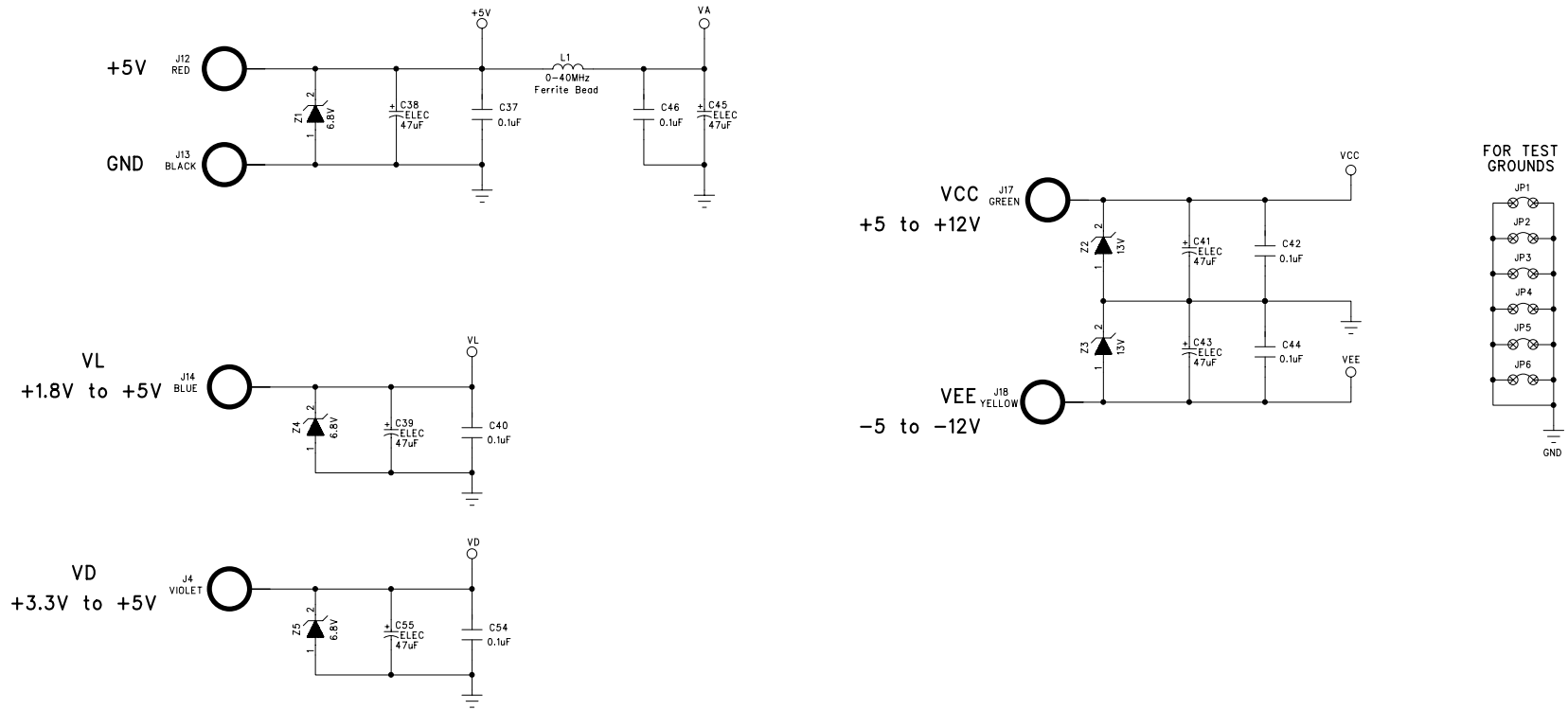


Figure 10. Power Circuit



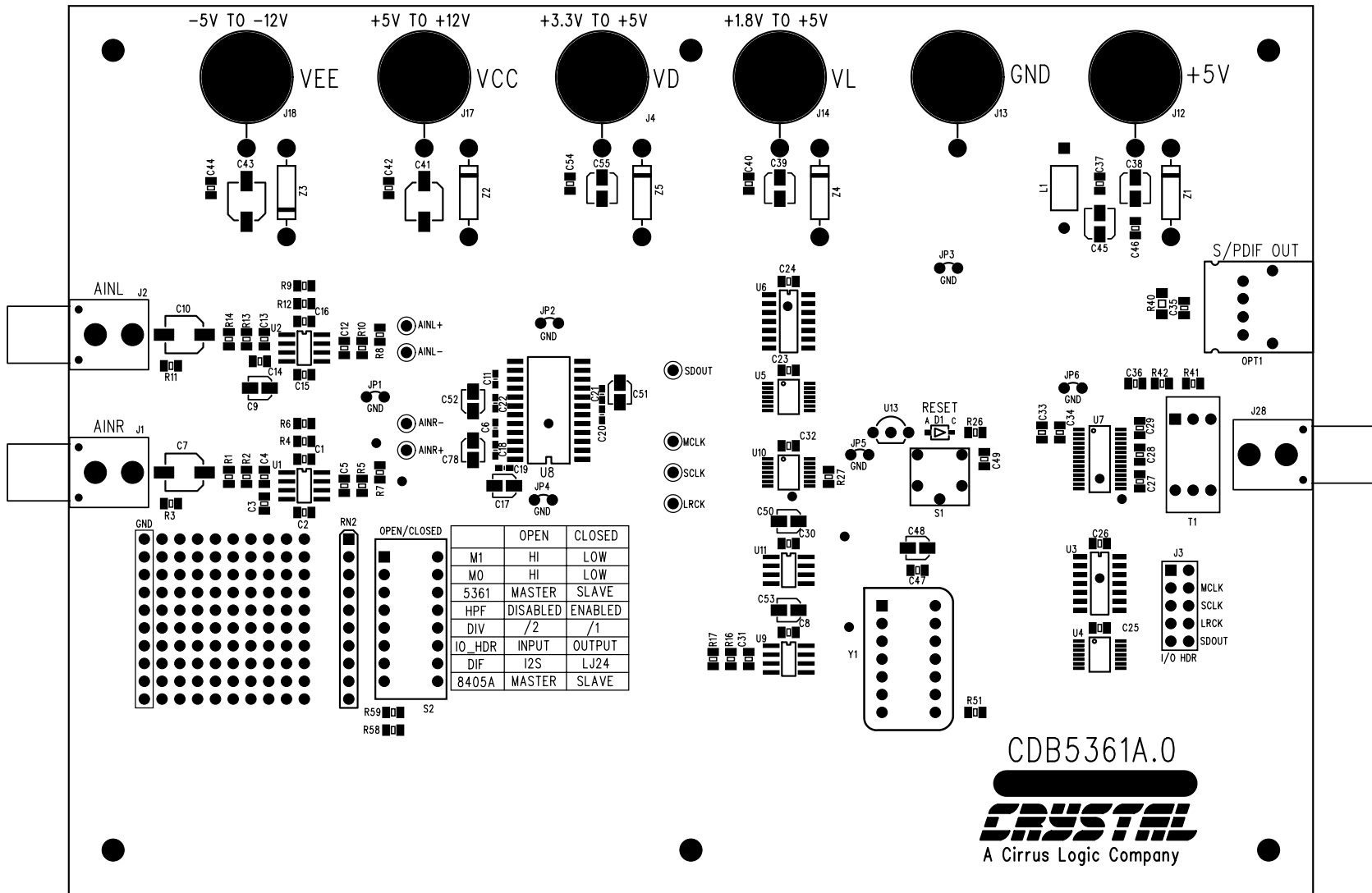


Figure 11. Top Layer Silkscreen

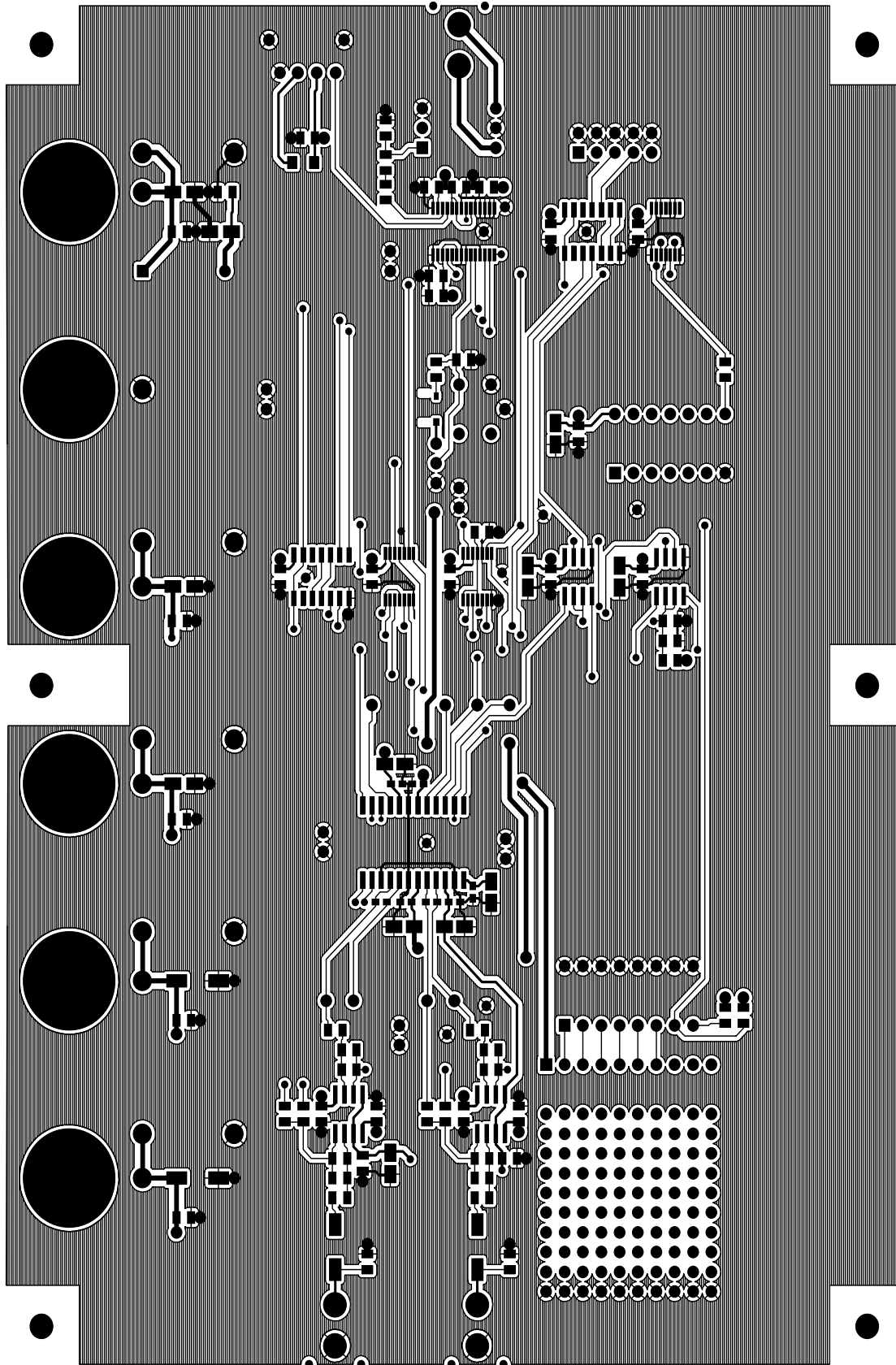
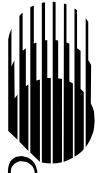


Figure 12. Top Layer



CIRRUS LOGIC®

CDB5361

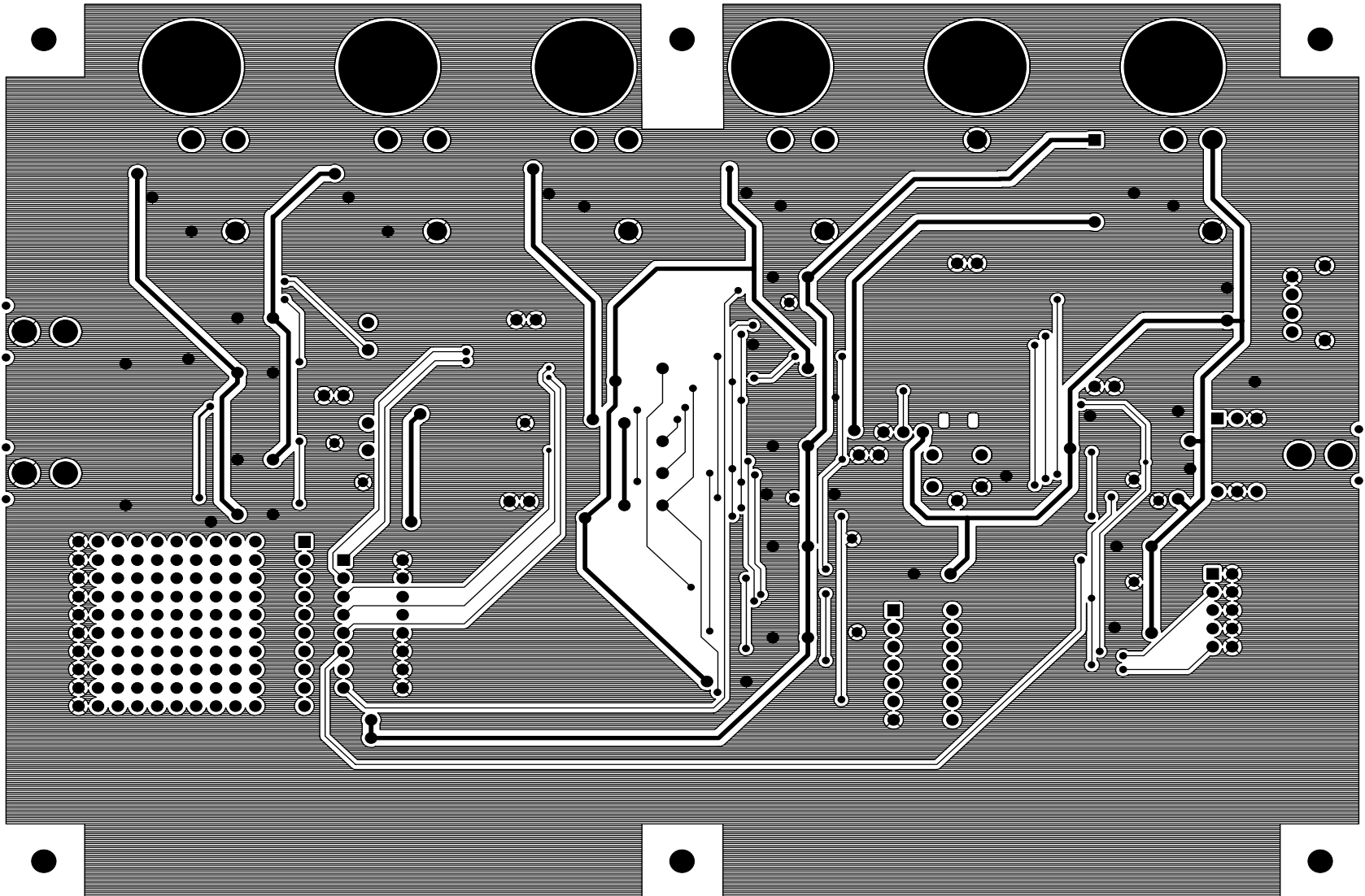


Figure 13. Bottom Layer



CIRRUS LOGIC[®]