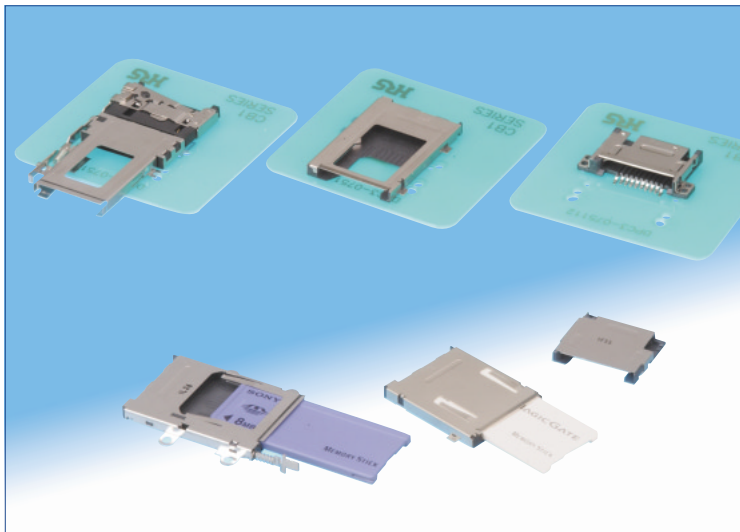


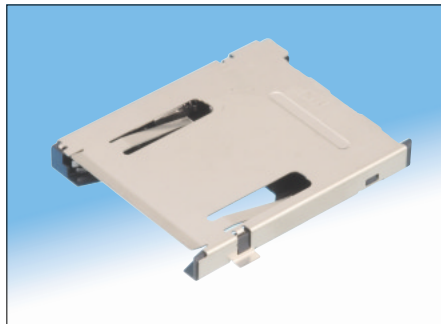
NEW

Memory Stick® Connectors

CB1 Series

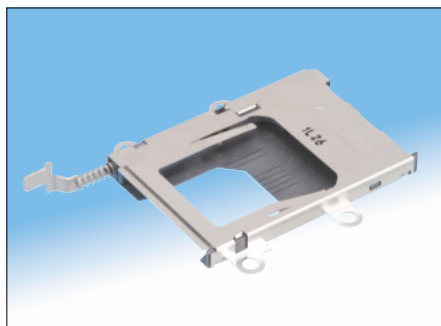


Card Push Insert/Push Eject <CB1G Series>



- Card ejection distance of 10 mm
- Mounting height of 3.5 mm
- Mounting area: Smaller design is 78% of former size

Button Touch Ejection <CB1F Series>



- Card ejection with tactile button operation
- Card ejection distance of 10 mm
- Equipped with card ejection switch

Without Card Ejection <CB1D Series>



- Miniaturized, low profile design
- Improved installation to the equipment is permitted using (M1.7) tapping screws
- Can be equipped with an ejection mechanism depending on the design of the equipment side portion

Outline

Receptacle connectors for use with the new generation of digital media devices requiring “Memory Stick®” type of consumer removable memory card.

Several variations are available: Miniature, Low Profile and with or without ejection mechanism.

Features

1. Indication of Incorrect Card Insertion

The connector will not allow the card to be completely inserted from the wrong end or reversed.

The card will stop about 7mm before complete insertion position, visually indicating incorrect insertion.

2. Protection of the Contacts

Incorrect insertion of the card will not damage the contacts. The card can be easily withdrawn and re-inserted correctly.

3. Excellent Card Handling

The type that is equipped with an ejection mechanism provides a long ejection of the card which offers excellent card handling qualities.

*Memory Stick is a registered trademark of the Sony Corporation.

Note: Please position the card ejection button at the side of the equipment.

Product Specifications

| | | | |
|--------|------------------------|--|---|
| Rating | Current rating 0.5A | Operating temperature range -20°C to +85°C(Note) | Operating humidity range Relative humidity 96% max. (No condensation) |
| | Voltage rating 125V AC | Storage temperature range -40°C to +85°C | |

| Item | Specification | Conditions |
|---------------------------------|---|--|
| 1. Insulation resistance | 1000 M ohms min. | 500 V DC |
| 2. Withstanding voltage | No flashover or insulation breakdown | 500 V AC / one minute |
| 3. Contact resistance | 100 m ohms max. | 100mA DC |
| 4. Vibration | No electrical discontinuity of 1 μ s or more | Frequency: 10 to 55 Hz, single amplitude of 0.75 mm, 2 hours / 3 axis |
| 5. Humidity | Contact resistance: 40 m ohms max. from initial value Insulation resistance: 100 M ohms min. | 96 hours at temperature of 40°C \pm 2°C and humidity of 90% to 95% |
| 6. Temperature cycle | Contact resistance: 40 m ohms max. from initial value Insulation resistance: 100 M ohms min. | Temperature: -55°C \rightarrow +5°C to +35°C \rightarrow +85°C \rightarrow +5°C to +35°C Duration: 30 \rightarrow 5 \rightarrow 30 \rightarrow 5(Minutes) 5 cycles |
| 7. Durability (mating/unmating) | Contact resistance: 40m ohms max. from initial value | 12000 cycles at 400 to 600 cycles per hour |
| 8. Resistance to soldering heat | No deformation of any component. No affect on contacts | Reflow: At the recommended temperature profile Manual soldering: 300°C for 3 seconds |

Note :Includes temperature rise caused by current flow.

Materials

| Part | Material | Finish | Remarks |
|----------------------------|--|---|--|
| Insulator | Heat resistant glass reinforced therm oplastic compound | Color: Black | UL94V-0 |
| Contacts | Phosphor bronze | Contact area: Gold plated Termination area: Tin-lead plated or tinned copper plated | — |
| Metal hold down | Phosphor bronze or stainless steel | Contact area: Nickel plating Termination area: Tin-lead plated or tinned copper plated | CB1E,CB1F,CB1G Series is without the termination area. |
| Cover | Stainless steel or cupper alloy | — | The CB1E Series has termination area with tin-lead plated. |
| Eject mechanism components | Stainless steel Heat resistant glass reinforced therm oplastic compound | — | UL94V-0 |

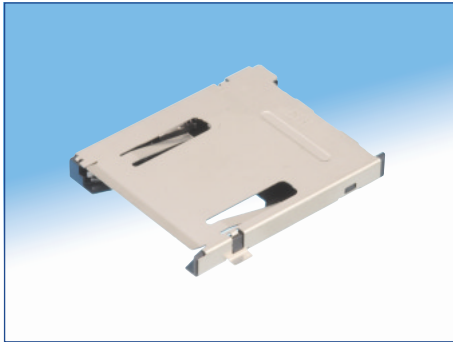
Ordering information

CB 1 E - 10 S - 1.5 H - PEJC - *

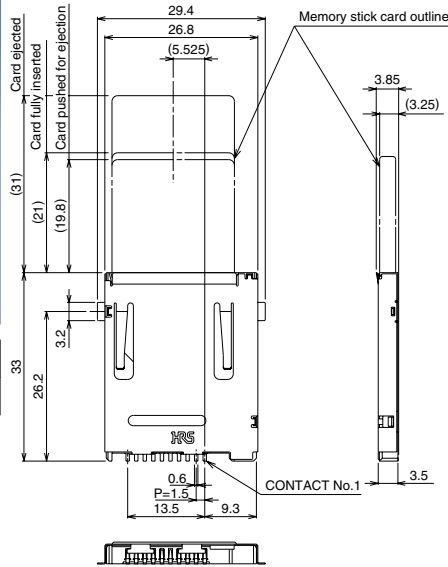
① ② ③ ④ ⑤ ⑥ ⑦ ⑧ ⑨

| | |
|--|---|
| ① Series name : CB | ⑥ Contact pitch : 1.5 mm |
| ② Series No. : 1 | ⑦ Surface mount |
| ③ Ejector type : C E } With eject mechanism F } G } D } Without eject mechanism A } | ⑧ Eject mechanism codes: PEJC : Card Push insert/Push eject EJL : Left button eject EJR : Right button eject |
| ④ Number of contacts : 10 | ⑨ Suffix |
| ⑤ Connector type S : Receptacle | |

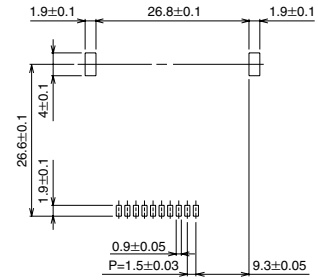
Low Profile, Push Insert-Push Eject



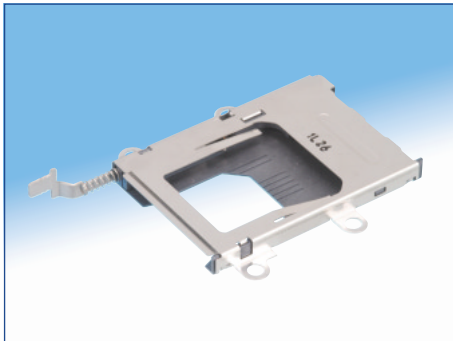
| Part No. | CL No. |
|---------------------|--------------|
| CB1G-10S-1.5H-PEJC2 | CL689-0037-5 |



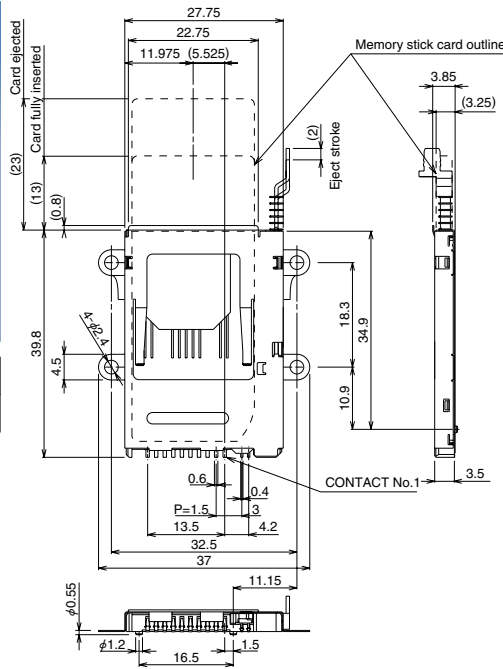
PCB mounting pattern



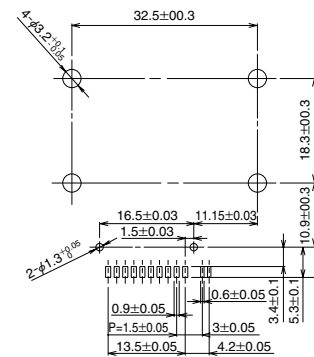
Button Touch Eject



| Part No. | CL No. |
|-----------------------|--------------|
| CB1F-10S-1.5H-TEJL-PA | CL689-0028-4 |



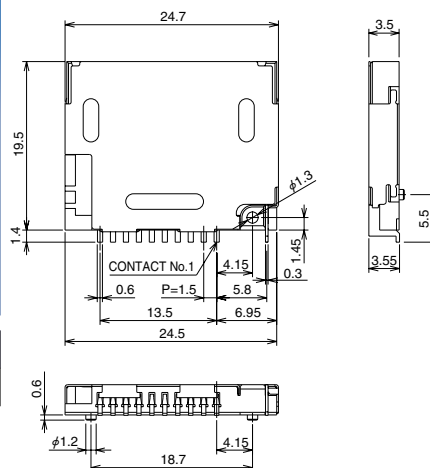
PCB mounting pattern



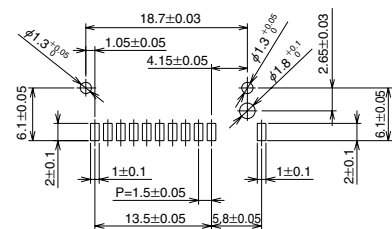
Without Card Ejection



| Part No. | CL No. |
|---------------|--------------|
| CB1D-10S-1.5H | CL689-0021-5 |

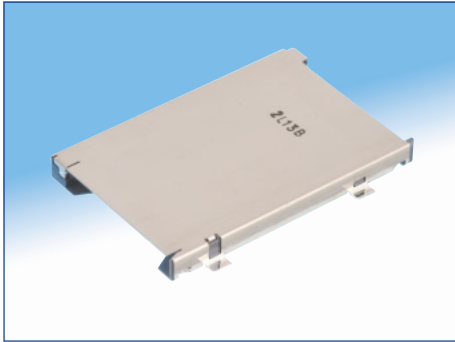


PCB mounting pattern

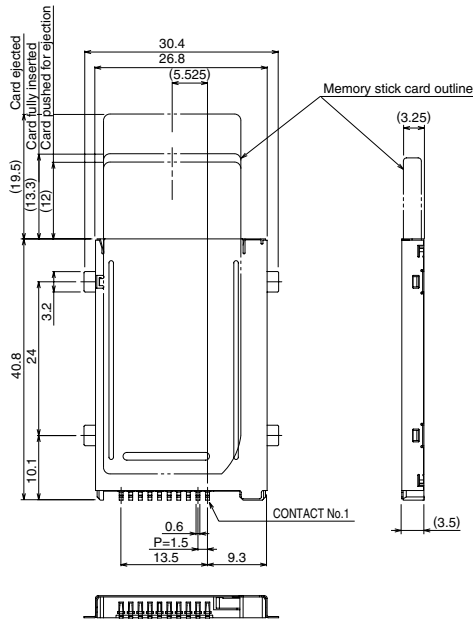


Push Insert-Push Eject

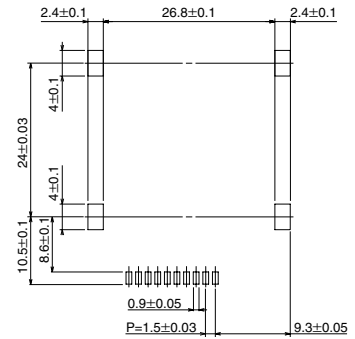
● Normal type



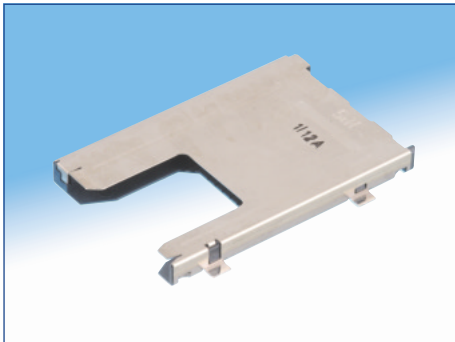
| Part No. | CL No. |
|----------------------|--------------|
| CB1EB-10S-1.5H-PEJC2 | CL689-0026-9 |



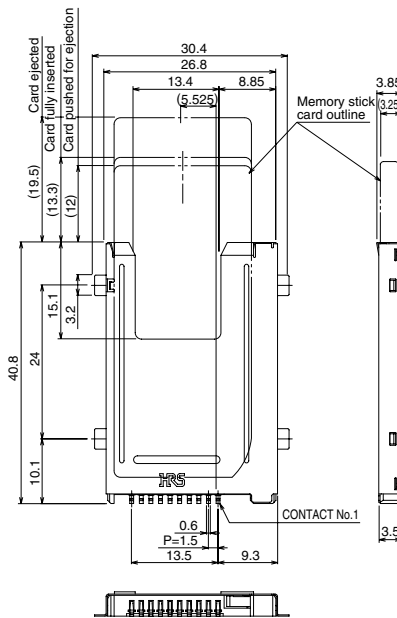
◆ PCB mounting pattern



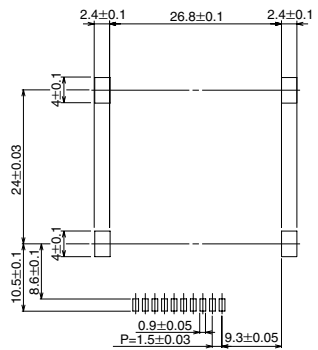
● With "U" cut-out



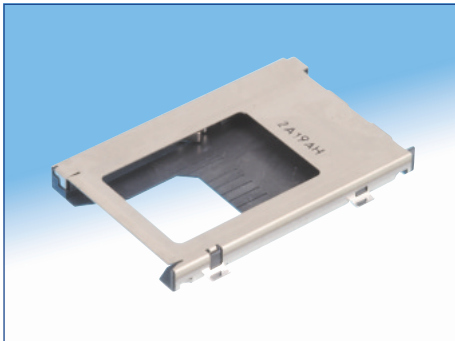
| Part No. | CL No. |
|-----------------------|--------------|
| CB1EBG-10S-1.5H-PEJC2 | CL689-0034-7 |



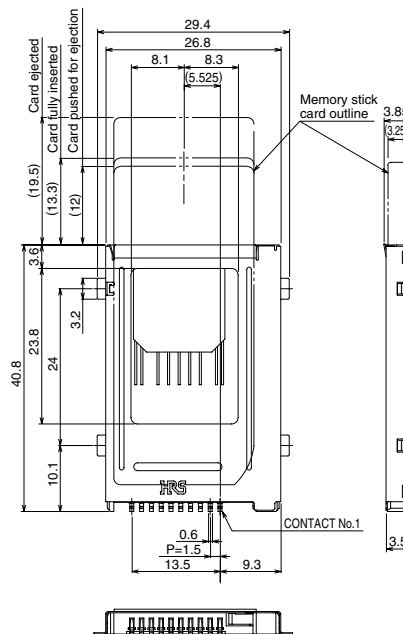
◆ PCB mounting pattern



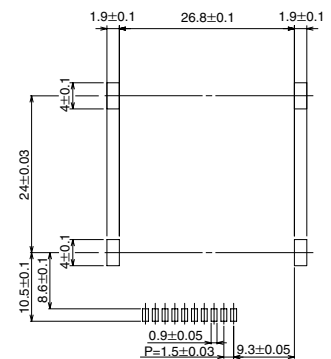
● With square window



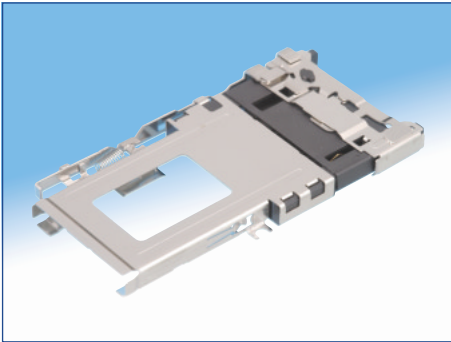
| Part No. | CL No. |
|-----------------------|--------------|
| CB1EBH-10S-1.5H-PEJC2 | CL689-0035-0 |



◆ PCB mounting pattern

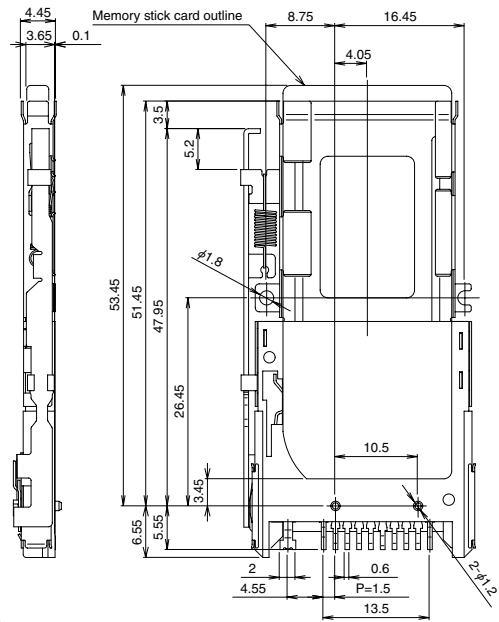
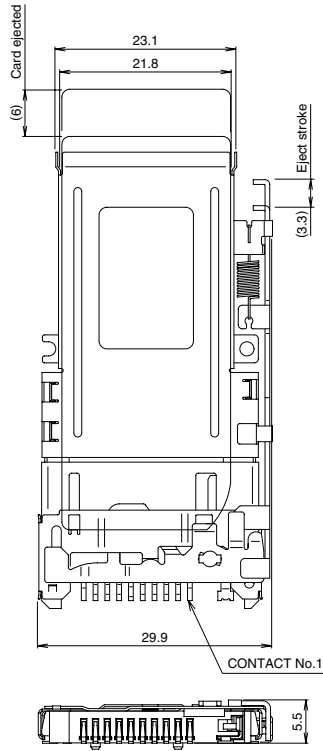
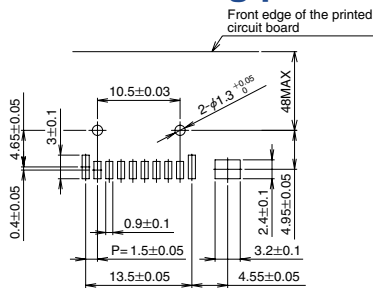


Left Ejection

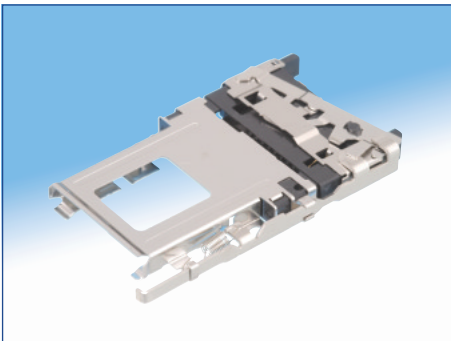


| Part No. | CL No. |
|-----------------------|-----------------|
| CB1C-10S-1.5H-EJL(56) | CL689-0006-1-56 |

PCB mounting pattern

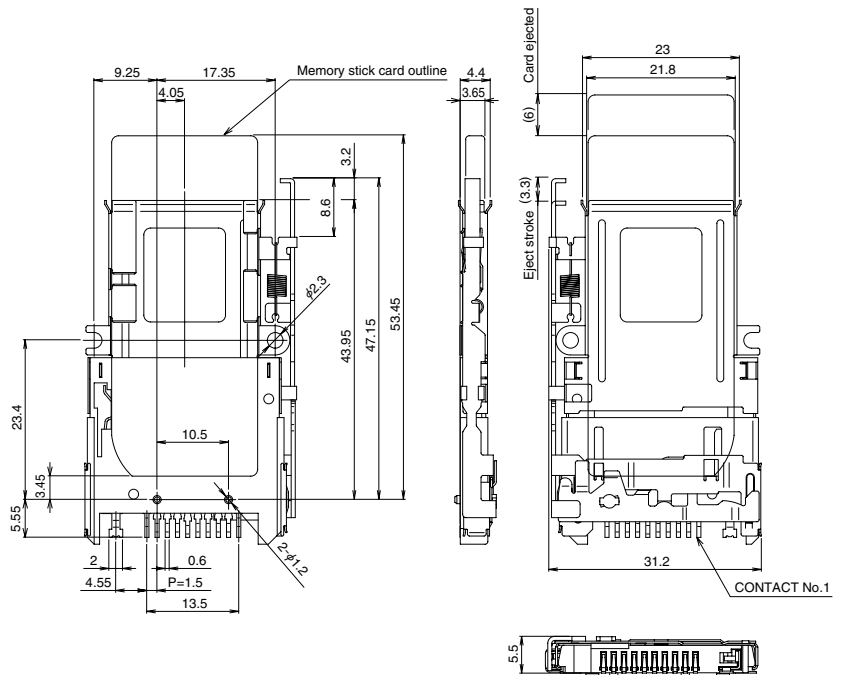
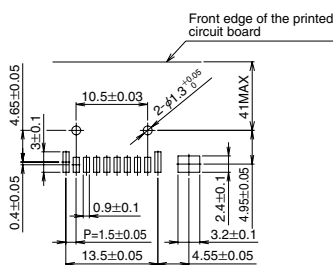


Right Ejection

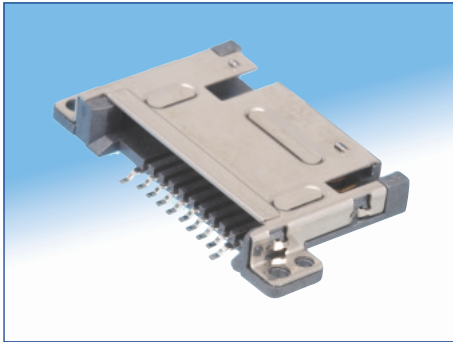


| Part No. | CL No. |
|-----------------------|-----------------|
| CB1C-10S-1.5H-EJR(59) | CL689-0007-4-59 |

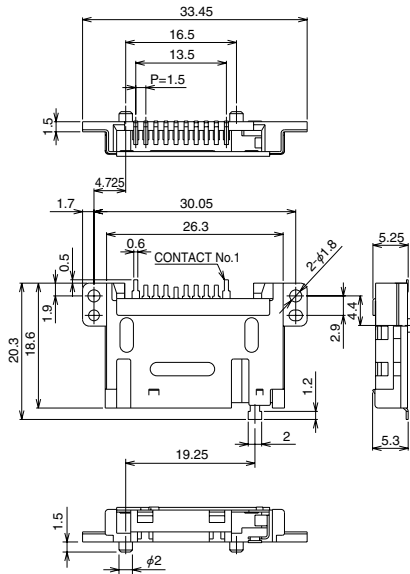
PCB mounting pattern



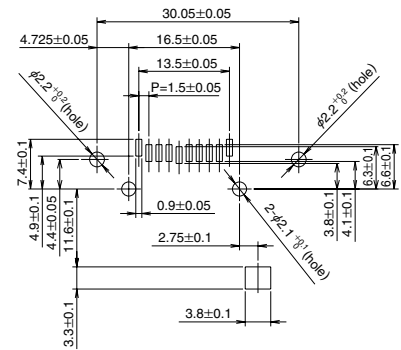
■With flange, for screw attachment



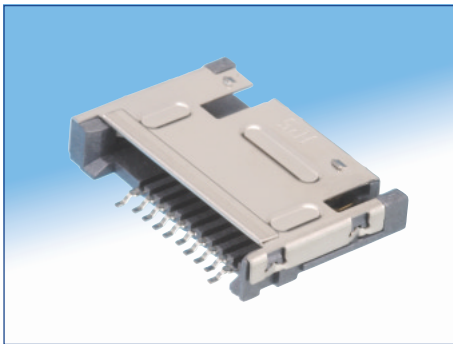
| Part No. | CL No. |
|-------------------|-----------------|
| CB1A-10S-1.5H(57) | CL689-0001-8-57 |



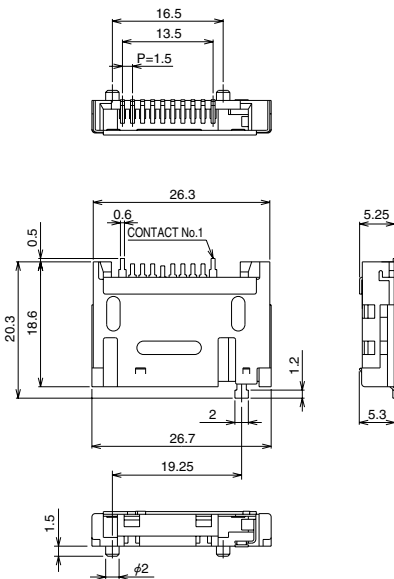
◆PCB mounting pattern



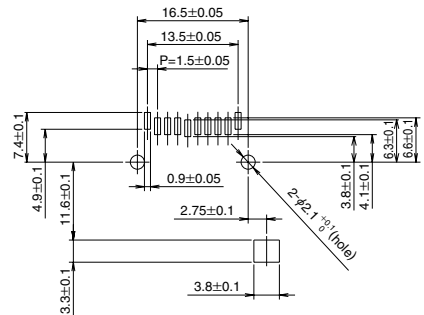
■Without flange



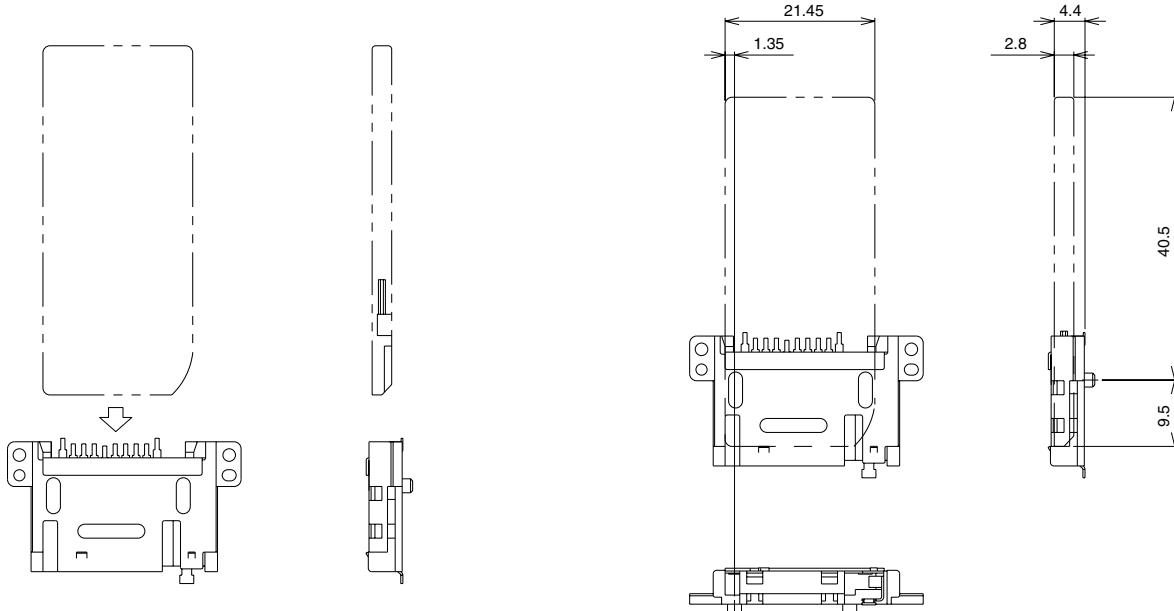
| Part No. | CL No. |
|--------------------|-----------------|
| CB1AA-10S-1.5H(57) | CL689-0002-0-57 |



◆PCB mounting pattern

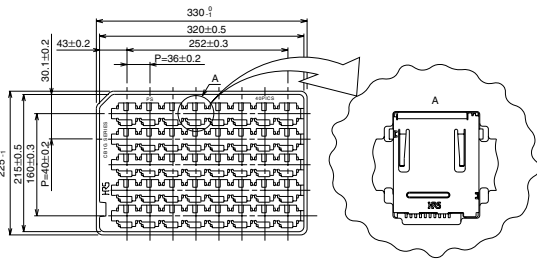


◆Memory Stick card insertion direction ◆Memory Stick fully inserted dimensions

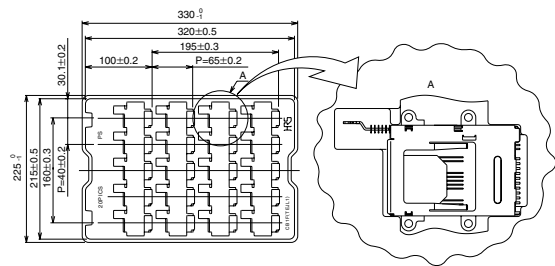


■ Packaging specification (Tray packaging)

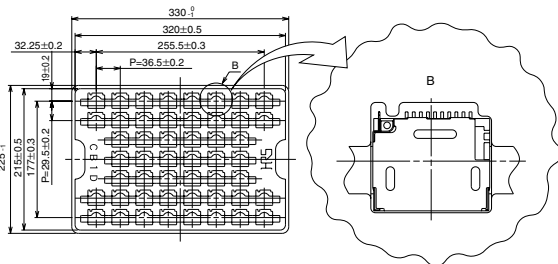
● Part Number: CB1G-10S-1.5H-PEJC2(1 tray: 40 pieces)



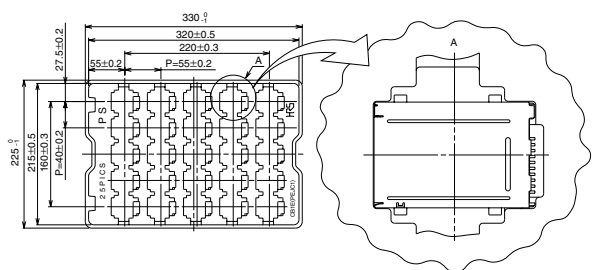
● Part Number: CB1F-10S-1.5H-TEJL-PA(1 tray: 20 pieces)



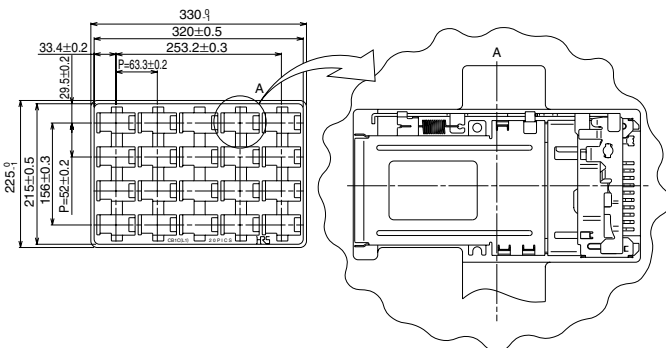
● Part Number: CB1D-10S-1.5H(1 tray: 50 pieces)



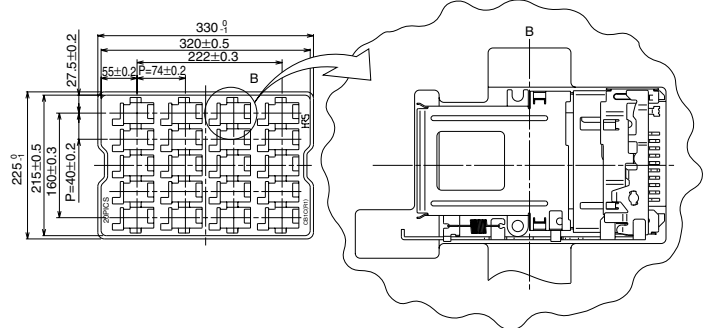
● Part Number: CB1EB*-10S-1.5H-PEJC2(1 tray: 25 pieces)



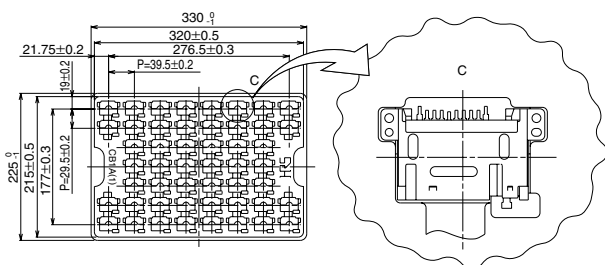
● Part Number: CB1C-10S-1.5H-EJL(56)(1 tray: 20 pieces)



● Part Number: CB1C-10S-1.5H-EJR(59)(1 tray: 20 pieces)



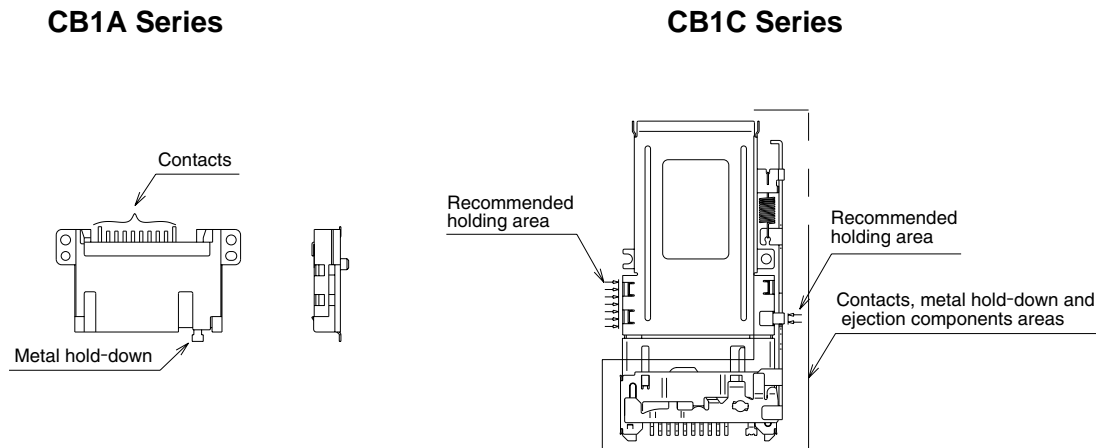
● Part Number: CB1A*-10S-1.5H(57)(1 tray: 50 pieces)



◆ Usage Precautions

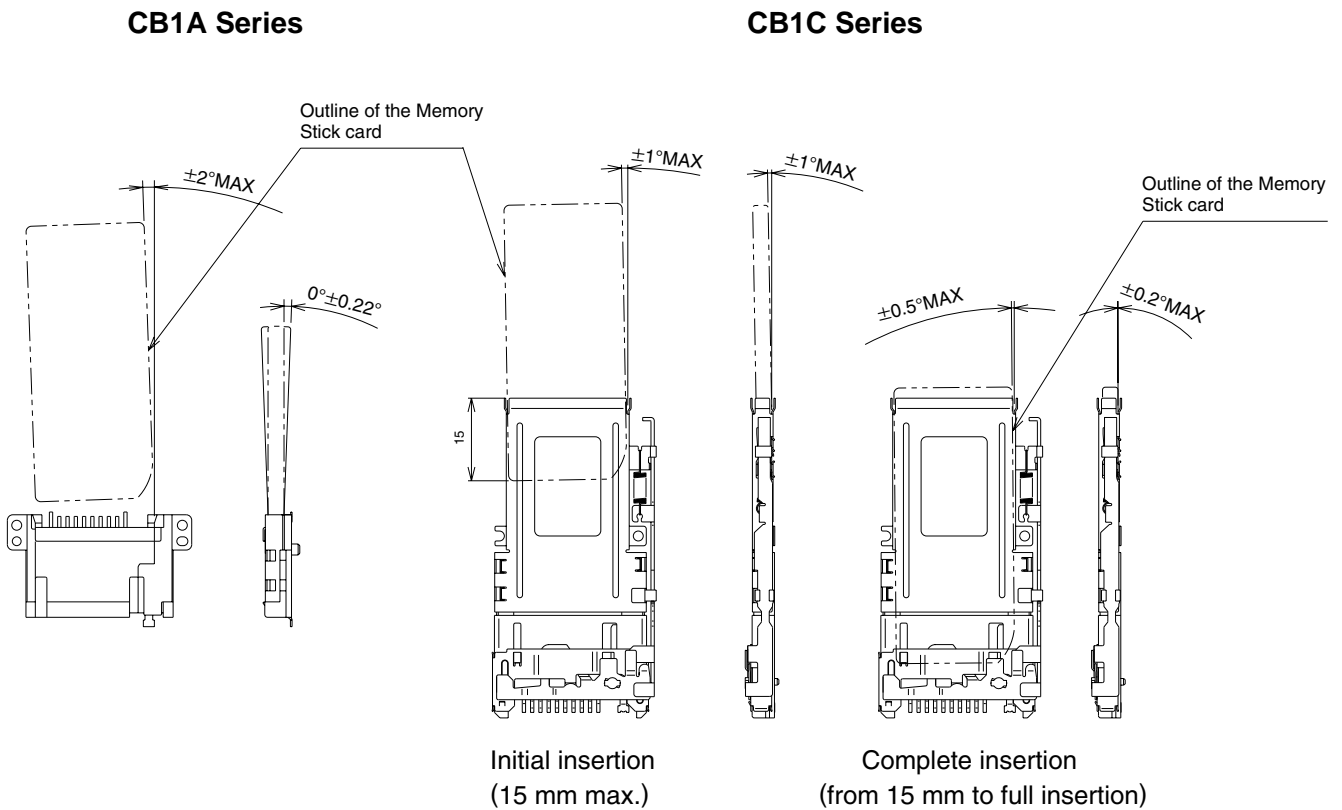
1. Care should be taken to correctly insert/withdraw the Memory Stick® card. Following correct insertion/withdrawal procedures will prevent device or connector damage.

When handling the CB1C series connectors, hold it in the areas indicated by the arrows, as illustrated below.

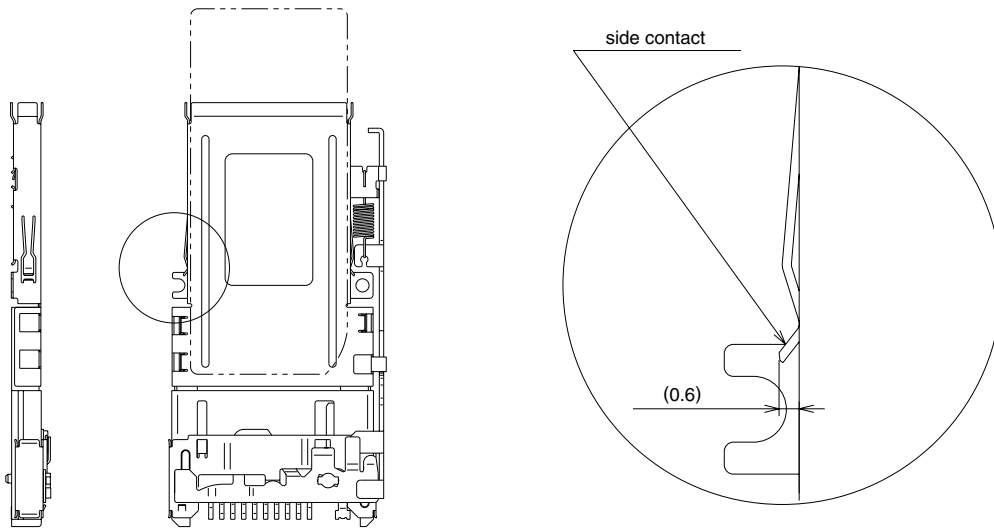


2. Follow the recommended insertion angles, as illustrated below.

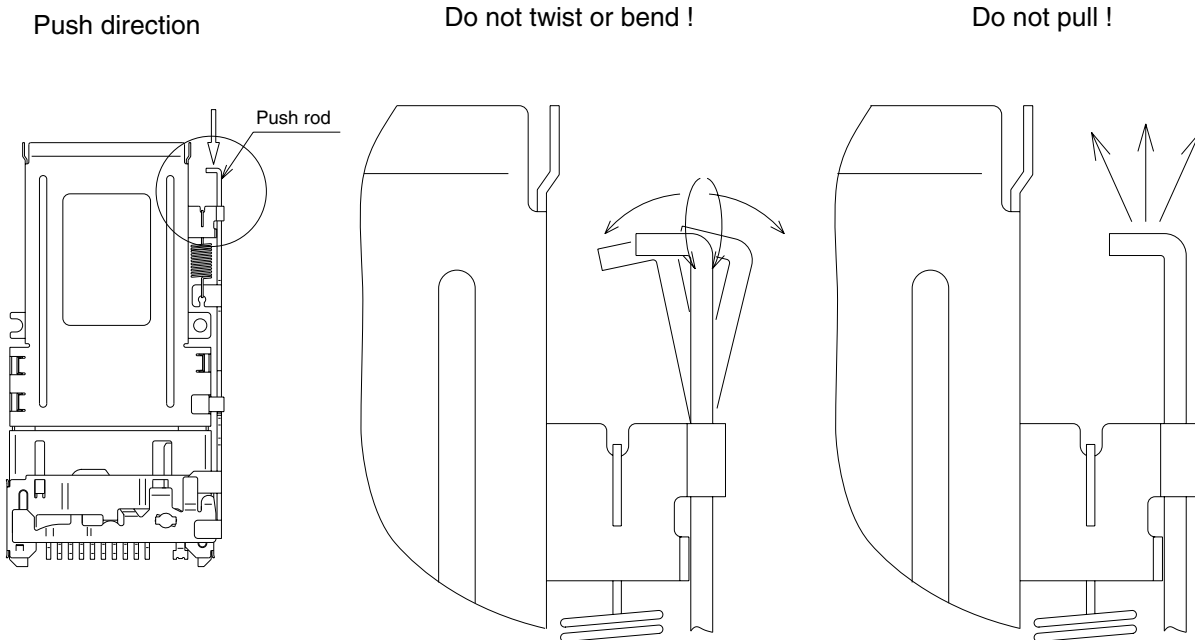
<Memory Stick Allowable Insertion Angles>



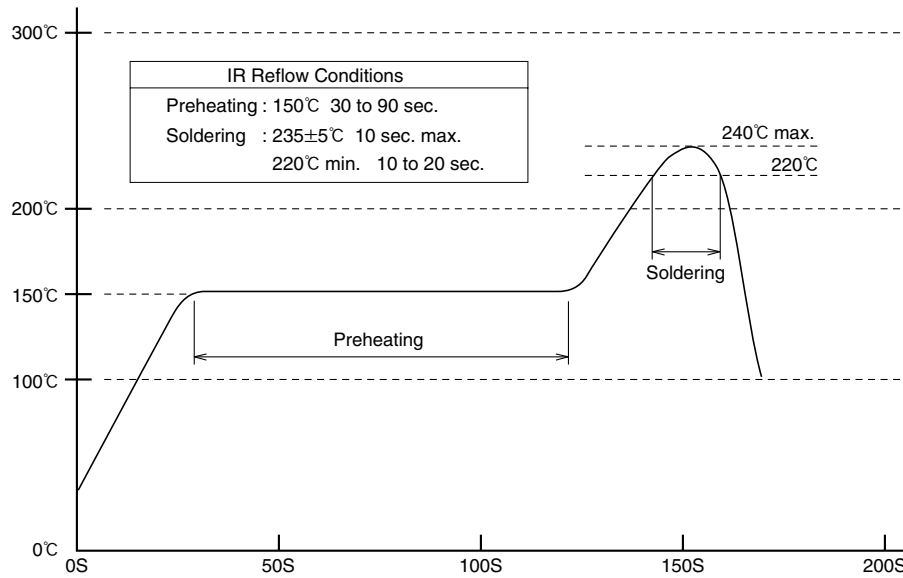
3. When inserting or withdrawing cards from the CB1C Series, the side contacts on both sides will protrude outward by 0.6 mm. Care should be taken that they will not be restricted or touch other components.



4. Application of an excessive external force to the push rod may prevent the ejection or insertion of the card. Do not apply any load in a direction other than the push direction.



■ Recommended Temperature Profile



<Recommended Conditions>

Reflow system : IR reflow

Solder : Paste type 63 Sn/37 Pb (Flux content 9 wt%)

Test board : Glass epoxy 60mm x 100mm x 1.6 mm

Metal mask thickness : 0.15 mm

Recommended temperature.

The temperature may be slightly changed according to the solder paste type and volume used.