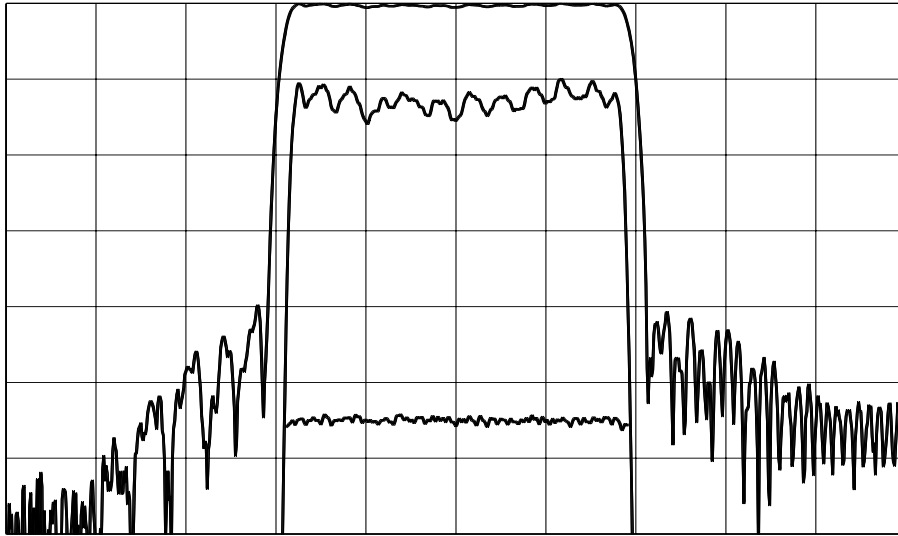


TYPICAL PERFORMANCE



Horizontal: 20.0 MHz/div Vertical (from top): Magnitude 10 dB/div
 Magnitude 1 dB/div
 Group Delay 50 ns./div

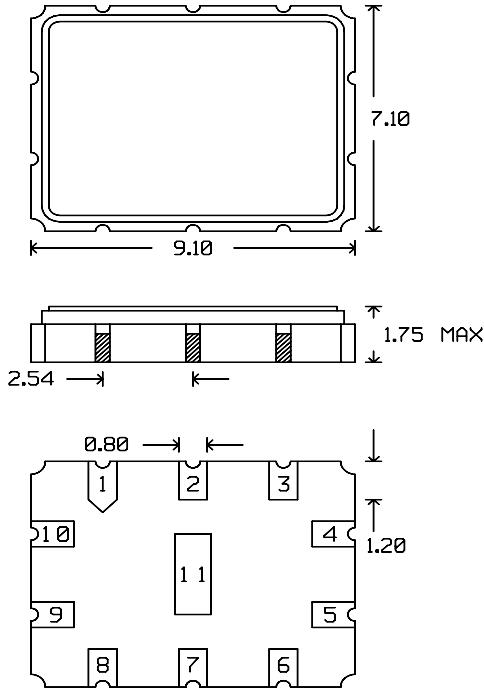
SPECIFICATION

| Parameter | Min. | Typ. | Max. | Units. |
|--------------------------------------------------|-----------------|-------|-------|-----------|
| Center Frequency (Fc) ¹ | 479.0 | 480.0 | 481.0 | MHz |
| Insertion Loss(@ Fc) | | 24 | 26 | dB |
| 1 dB Bandwidth ² | 70.0 | 74.0 | | MHz |
| 36 dB Bandwidth ² | | 84.0 | 87 | MHz |
| Rejection: 10 - 436.5 & 523.5 - 650 MHz | 36 | 40 | | MHz |
| Passband Amplitude ripple(Fc+/- 35 MHz) | | 0.6 | 1.0 | dB |
| Passband GD ripple (FC +/- 35 MHz) ³ | | 15 | 40 | nsec. |
| Absolute delay | | 0.4 | | μsec |
| Source and Load impedance | | 50 | | Ω |
| Operating temperature | | 25 | | ° C |
| Temp. coefficient of Frequency | | -72 | | ppm / ° C |
| Substrate Material | Lithium Niobate | | | |
| Matching network | None | | | |

Notes:

- 1 : Mean of the 3 dB points.
- 2 : With respect to Fc
- 3: Measured using smoothing aperture of 1% of the swept bandwidth.

PACKAGE OUTLINE

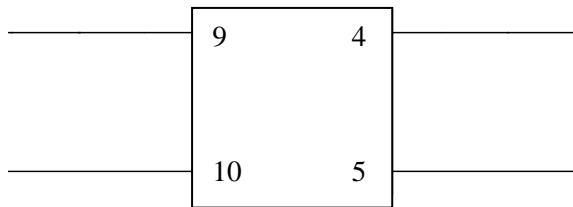


Units: mm

Pin Configuration:

- Input: 9
- Input Return: 10
- Output: 4
- Output Return: 5
- Ground: ALL OTHER PINS

MATCHING CIRCUIT



No matching components required.