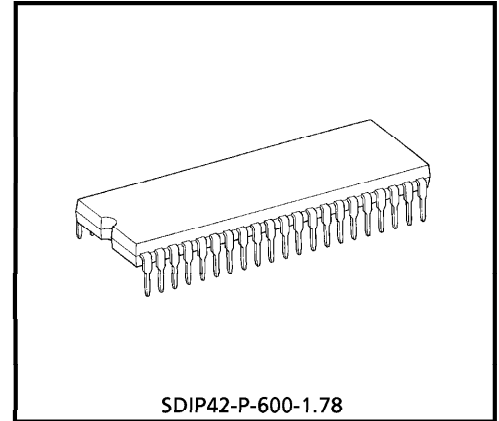


TOSHIBA CMOS DIGITAL INTEGRATED CIRCUIT SILICON MONOLITHIC

TC83220-0025**TC83220-0025 SINGLE-CHIP CMOS LSI FOR FL (FLUORESCENT)
CALCULATOR**

The TOSHIBA printing /display calculator circuit TC83220-0025 is 10- or 12-digit calculator on single-chip CMOS LSI. TC83220-0025 can drive the printing machine (M-72T ; EPSON) with magnet driver circuit, and can drive the fluorescent display tube with DC-DC converter. It contains a 4 K-word ROM, a 256 × 4-bit RAM.



SDIP42-P-600-1.78

Weight : 4.12 g (Typ.)

FEATURES

Operational Features

- Print : 11 or 13 digits of data.
(including decimal point) 1 digit of minus sign. 2 digits of operational symbol.
3 digits of commas. 2-colors printing. (black and red)
- Display : 10 or 12 digits of data. (including punctuation in each digit.)
1 digit of floating minus sign, memory load, error symbol, grand total memory load.
3 digits of commas.
- Decimal output : Decimal set lock key controls output format.
Fixed decimal setting ("0", "1", "2", "3", "4", "6"), full floating decimal, and ADD mode.
- Key input buffer : 8 stages
- Function : 4 basic arithmetic functions (+, -, ×, ÷).
Repeat addition and subtraction.
Automatic constants in multiplication, division, percent calculation, calculations.
Automatic percent add-on and percent discount calculation.
Memory calculation.
Automatic accumulating calculation.
Gross margin profit calculation.
Delta percent calculation.
Tax calculation.
Grand total calculation.
Two-key rollover

980910EBA2

- TOSHIBA is continually working to improve the quality and the reliability of its products. Nevertheless, semiconductor devices in general can malfunction or fail due to their inherent electrical sensitivity and vulnerability to physical stress. It is the responsibility of the buyer, when utilizing TOSHIBA products, to observe standards of safety, and to avoid situations in which a malfunction or failure of a TOSHIBA product could cause loss of human life, bodily injury or damage to property. In developing your designs, please ensure that TOSHIBA products are used within specified operating ranges as set forth in the most recent products specifications. Also, please keep in mind the precautions and conditions set forth in the TOSHIBA Semiconductor Reliability Handbook.
- The products described in this document are subject to the foreign exchange and foreign trade laws.
- The information contained herein is presented only as a guide for the applications of our products. No responsibility is assumed by TOSHIBA CORPORATION for any infringements of intellectual property or other rights of the third parties which may result from its use. No license is granted by implication or otherwise under any intellectual property or other rights of TOSHIBA CORPORATION or others.
- The information contained herein is subject to change without notice.

- Item counter : 0~999 count up by depressing of $\boxed{+}$, $\boxed{-}$ key.
- Punctuation : Commas for thousands on display.
- Kinds of touch key : $\boxed{0} \sim \boxed{9}$, $\boxed{\cdot}$, $\boxed{00}$, $\boxed{000}$, \boxed{C} , \boxed{CE} , $\boxed{C/CE}$, $\boxed{+/-}$, $\boxed{\#/P}$, $\boxed{\text{Feed}}$,
 $\boxed{+}$, $\boxed{-}$, $\boxed{\diamond}$, $\boxed{*}$, $\boxed{\times}$, $\boxed{\div}$, $\boxed{=}$, $\boxed{\%}$, $\boxed{MU/D}$, $\boxed{M+}$, $\boxed{M-}$, $\boxed{M\diamond}$,
 $\boxed{M*}$, $\boxed{\Delta\%}$, $\boxed{M\diamond*}$, $\boxed{\rightarrow}$, \boxed{GT} , $\boxed{+}$, $\boxed{-}$, $\boxed{+TAX}$, $\boxed{-TAX}$
- Kinds of lock key : "NP" Printing mode selectable switch. ("ON" : Nonprinting mode. "OFF"
 (Refer to page 5.) : Printing mode.)
 "Σ" Summation mode selectable switch.
 "5/4" "CUT" "UP" Rounding switch. ("5/4" : "CUT" and "UP" lock key off.)
 Fixed point mode selectable switch.
 "0", "1", "2", "3", "4", "6", "F", "A". ("A" : ADD mode. "F" : Full floating mode, all decimal setting lock key off.)
 "IC+" Item counter mode selectable switch.
 "GT" Grand total memory selectable switch.
 "SET/CAL" Tax memory selectable switch. (ON : Set mode. OFF : Normal calculation mode.)
 "10/12" Display digits selectable switch. (Refer to page 3.)
- Duty of display : $\text{Duty} = \frac{1}{17.7}$
- Leading zero suppression
- Trailing zero suppression
- Tax calculation : $\boxed{+TAX}$ key is calculation for included tax.
 (Refer to page 5.) $\boxed{-TAX}$ key is calculation for excluded tax.
 $\boxed{\text{SET/CAL}}$ Lock key selects set mode or normal calculation mode.
 Changing lock key from set mode to normal calculation mode stores number of display to tax memory.
 Changing lock key from normal calculation mode to set mode recalls tax rate to display from tax memory.
 Depression of $\boxed{+TAX}$ following data key at normal calculation mode performs the calculating included tax.
 Depression of $\boxed{-TAX}$ following data key at normal calculation mode performs the calculating excluded tax.

Electrical Features

- P-MOS output buffer with pull down resistor for direct driving of fluorescent display tube.
- Oscillator / clock generator internal to chip.
- Key board encoding internal to chip.
- Shrink dual in line package.

Protection

- i) Double depression of keys will be inoperative.
- ii) In the overflow condition, all key except "C", "C/CE", "CE" "Feed", "→" key are inoperative.
- iii) Key bouncing protection (at 4MHz clock)

Key read in : 15ms

Key off : 40ms

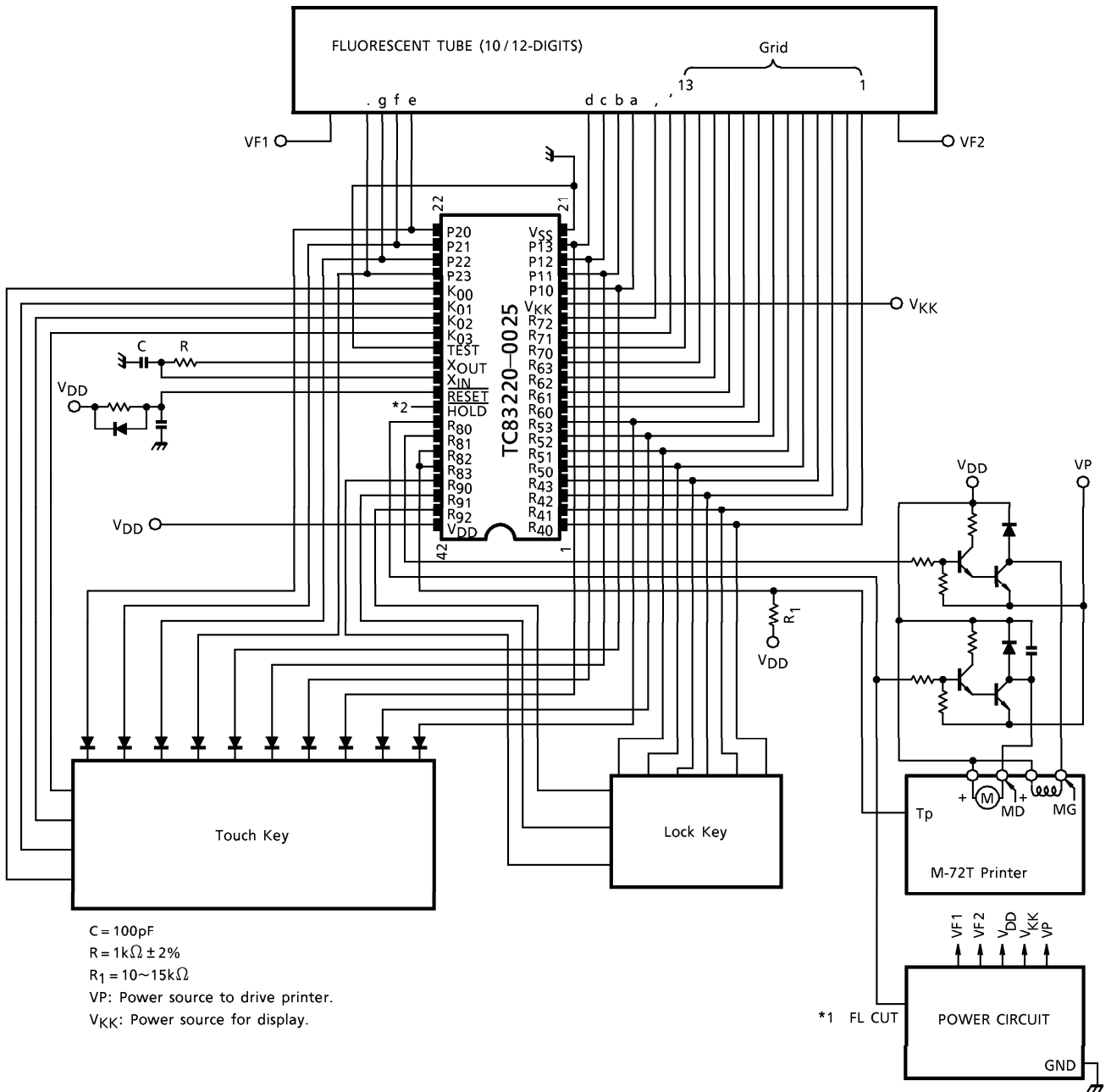
Function Select

- i) "10/12" Selectable with calculated digits (Lock key).

ON 10-digits calculated

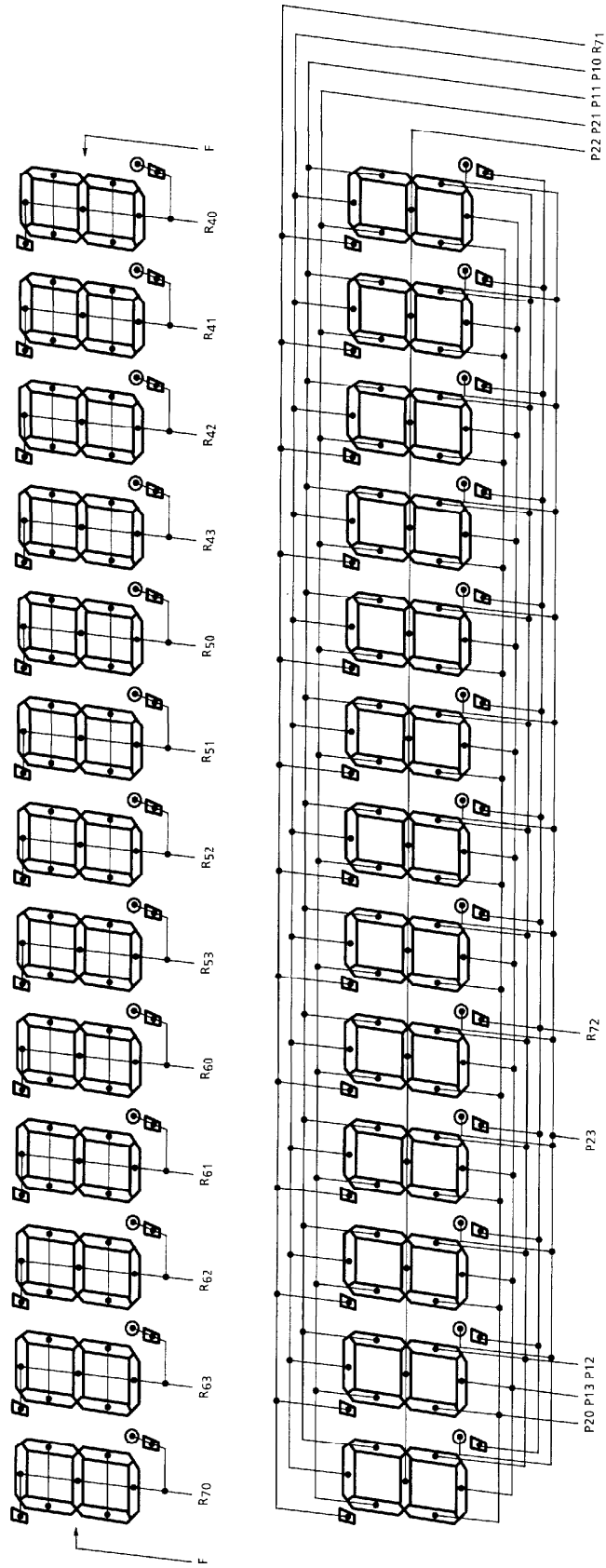
OFF 12-digits calculated

SYSTEM DIAGRAM



- *1 FL CUT (R80)
(VF1, VF2 Cut at printing)
- *2 Connection to HOLD pin is shown in the following page 15.

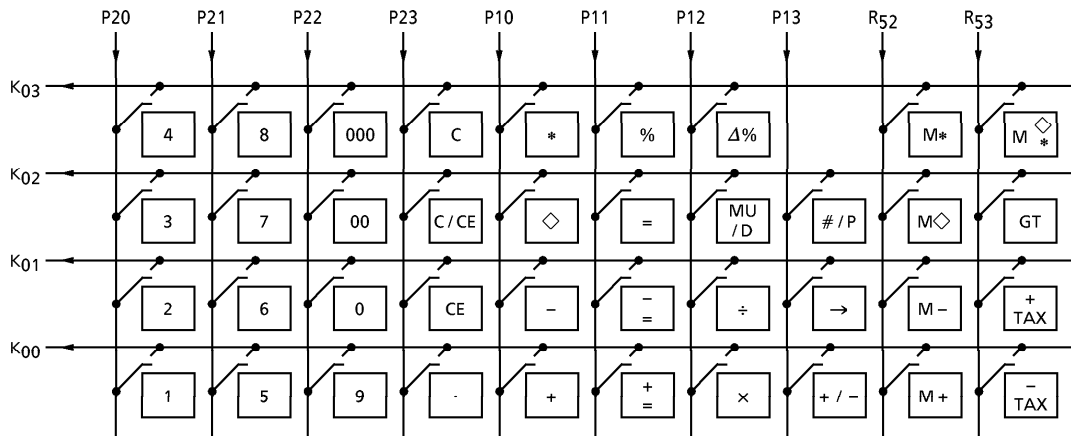
CONNECTION OF FL



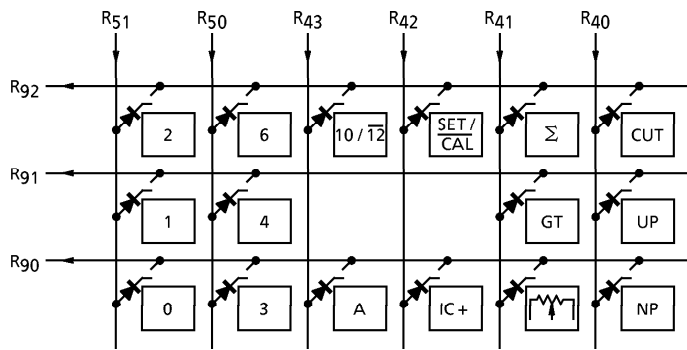
- (Note 1) R70 digit (P20) of "E" Data
- (Note 2) R70 digit (P22) of "-" Data
- (Note 3) R70 digit (P23) of "M" Data
- (Note 4) R70 digit (P21) of "GT" Data

TC83220-0025-05


KEY CONNECTION



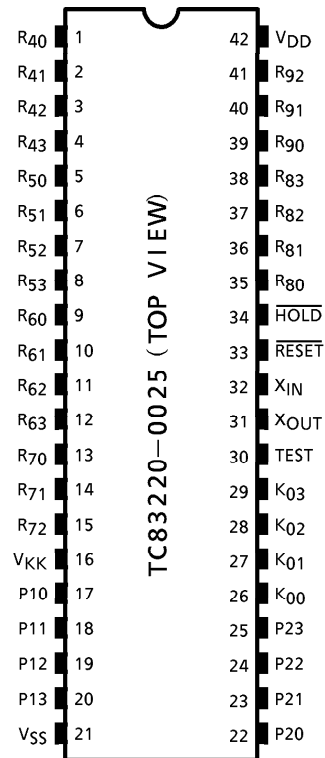
Touch Key



Lock Key

(Note)  : Feed

PIN ASSIGNMENT (TOP VIEW)



OPERATION EXAMPLE

KEY		PRINT	PRINT COLOR	DISPLAY
TAB 4/5 IC 10/12 Σ GT MOD	TOUCH			
F 4/5 OFF 10 OFF OFF CAL	POWER ON	<PF>		
		C		
	1+	<PF> 1. +		0.
	2-	2. -	R	1.
	◇	-1. ◇	R	-1.
	*	-1. *	R	-1.
		<PF>		-1.
IC+	1+	1. +		1.
	2-	2. -	R	-1.
	◇	002..... -1. ◇	R	-1.
	*	002..... -1. *	R	-1.
		<PF>		-1.
OFF	3×	3. ×		3.
	4÷	4. ÷		12.
	=	4. =		
		3. *		
		<PF>		3.
	5×	5. ×		5.
	6%	6. %		
		0.3 *		
		<PF>		0.3
	+	5.3 + %		
		<PF>		5.3
	2÷	2. ÷		2.
	3%	3. %		
		66.66666666 *		
		<PF>		66.66666666
	2 MU / D	2. G M		2.
	3=	3. %		
		0.06185567 Δ *		
		2.06185567 *		
		<PF>		2.06185567
	2Δ%	2. Δ		2.
	3=	3. =		
		1. Δ *		
		50. Δ %		
		<PF>		50.

(Note) PRINT COLOR ... R : Red
 No mark : Black
 <PF> Paper feed

KEY			PRINT	PRINT COLOR	DISPLAY
TAB 4/5	IC 10/12	Σ GT MOD			
F	4/5 OFF	10 Σ OFF CAL	3. ×		3.
			4. ÷		12.
			4. =		
			3. +		
			<PF>		3.
			5. ×		5.
			6. %		
			0.3 +		
			<PF>		0.3
			5.3 + %		
			<PF>		5.3
			2. ÷		2.
			3. %		
			66.66666666 +		
			<PF>		66.66666666
		2 MU / D	2. G M		2.
		3=	3. %		
			0.06185567 Δ *		
			2.06185567 +		
			<PF>		2.06185567
		2Δ%	2. Δ		2.
		3=	3. =		
			1. Δ *		
			50. +		
			<PF>		50.
		*	122.0285223 *		
			<PF>		122.0285223
		GT	0. G ◇		0.
		GT	2. +		2.
		3+	3. +		5.
		*	5. G +		
			<PF>		5.
		3-	3. - R		-3.
		4-	4. - R		-7.
		5-	5. - R		-12.
		*	-12. G + R		
			<PF>		-12.
		GT	-7. G ◇ R		-7.
		GT	-7. G * R		
			<PF>		-7.
		OFF	-7. M + R	M	-7.
		C	0. C	M	0.

KEY		PRINT	PRINT COLOR	DISPLAY
TAB 4/5 IC 10/12 Σ GT MOD	TOUCH			
F 4/5 OFF 10 Σ OFF CAL	M◇	<PF>		M -7.
	M*	-7. M ◇	R	
		-7. M *	R	
		<PF>		-7.
	# / P	-7. ◇	R	-7.
	2 # / P	#2.....		2.
	# / P	2. ◇		2.
	0÷	0. ÷		0.
	=	0. =		
			
	0. *			
	<PF>		E 0.	
	C	0. C		
	<PF>		0.	
F CUT OFF 12 OFF OFF CAL	POWER ON	<PF>		
		C		
	SET	<PF>		0.
		0. %		
	3	<PF>		0.
	CAL	3. %		3.
		<PF>		0.
	C	0. C		
	SET	<PF>		0.
		3. %		
	CAL	<PF>		3.
				0.
	1560			1,560.
	+TAX	1,560.		
		46.8 Δ		
		1,606.8 *		
		<PF>		1,606.8
	+TAX	1,606.8 ◇		
		48.204 Δ		
		1,655.004 *		
		<PF>		1,655.004
	1560			1,560.
	x	1,560. x		1,560.
	78900			78,900.
	+TAX	78,900. =		
		123,084,000. ◇		
		3,692,520. Δ		
		126,776,520. *		

KEY		PRINT	PRINT COLOR	DISPLAY
TAB 4/5 IC 10/12 Σ GT MOD	TOUCH			
		<PF>		126,776,520.
	=			126,776,520.
	5			5.
	x	5. x		5.
	+TAX			5.
	=	5. =		
		25. *		
		<PF>		25.
F CUT OFF 12 OFF OFF CAL	+TAX	25. ◇		
		0.75 Δ		
		25.75 *		
		<PF>		25.75
	=			25.75
	C	0. C		
		<PF>		0.
2	1560			1,560.
	+	1,560.00 +		1,560.00
	1100			1,100.
	+	1,100.00 +		2,660.00
	+TAX	2,660.00 ◇		
		79.80 Δ		
		2,739.80 *		
		<PF>		2,739.80
F	+TAX	2,739.80 ◇		
		82.194 Δ		
		2,821.994 *		
		<PF>		2,821.994
	980000000000			980,000,000,000.
	+TAX	980,000,000,000.		
		29,400,000,000. Δ		
			
		1,00940000000 *		
		<PF>		E 1.00940000000
	C	0. C		
		<PF>		0.
	1560			1,560.
	+/-			-1,560.
	+TAX	-1,560.	R	
		-46.8 Δ	R	
		-1,606.8 *	R	
		<PF>		-1,606.8
	1560			1,560.
	-TAX	1,560.		

KEY		PRINT	PRINT COLOR	DISPLAY
TAB 4/5 IC 10/12 Σ GT MOD	TOUCH			
F CUT OFF 12 OFF OFF CAL		-45,43689321 Δ	R	
		1,514.56310679 *		1,514.56310679
		<PF>		
	-TAX	1,514.56310679 ◇		
		-44.11348855 Δ	R	
		1,470.44961824 *		1,470.44961824
		<PF>		
SET		3. %		3.
		<PF>		0.
	C	0. %		0.
CAL		<PF>		0.
SET		0. %		0.
		<PF>		0.
	1234	1,234. %		1,234.
CAL		<PF>		0.
	980000000000	980,000,000,000.		980,000,000,000.
	+TAX		
		0. *		
		<PF>	E	0.
	C	0. C		
		<PF>		0.

MAXIMUM RATINGS ($V_{SS} = 0V$)

CHARACTERISTIC	SYMBOL	RATING	UNIT
Supply Voltage 1	V_{DD}	-0.5~7	V
Supply Voltage 2	V_{KK}	-40~+0.5	V
Input Voltage	V_{IN}	-35~ $V_{DD} + 0.5$	V
Output Voltage	V_{OUT}	-35~ $V_{DD} + 0.5$	V
Output Current	I_{OUT}	-10	mA
Power Dissipation ($T_{opr} = 70^{\circ}C$)	P_D	600	mW
Soldering Temperature, Time	T_{sld}	260 (10s)	$^{\circ}C$
Storage Temperature	T_{stg}	-55~125	$^{\circ}C$
Operating Temperature	T_{opr}	0~40	$^{\circ}C$

RECOMMENDED OPERATING CONDITIONS ($V_{SS} = 0V$)

CHARACTERISTIC	SYMBOL	TEST CIRCUIT	CONDITION	MIN	MAX	UNIT
Operating Temperature	T_{opr}	—	—	0	40	$^{\circ}C$
Supply Voltage	V_{DD}	—	—	4.5	6	V
Supply Voltage (FL)	V_{KK}	—	—	-30	-15	
Supply Voltage (Hold)	V_{DDH}	—	—	2	6	
Input High Voltage (Except Schmitt circuit input)	V_{IH1}	—	$V_{DD} \geq 4.5$	$V_{DD} \times 0.7$	V_{DD}	V
Input High Voltage (Schmitt circuit input)	V_{IH2}	—		$V_{DD} \times 0.75$	V_{DD}	
Input High Voltage	V_{IH3}	—	$V_{DD} < 4.5V$	$V_{DD} \times 0.9$	V_{DD}	
Input Low Voltage (Except Schmitt circuit input)	V_{IL1}	—	$V_{DD} \geq 4.5$	V_{KK}	$V_{DD} \times 0.3$	
Input Low Voltage (Schmitt circuit input)	V_{IL2}	—		V_{KK}	$V_{DD} \times 0.25$	
Input Low Voltage	V_{IL3}	—		$V_{DD} < 4.5V$	V_{KK}	
Output Voltage (Source open drain)	V_{OUT}	—	—	$V_{DD} - 35$	V_{DD}	V
Clock High Pulse Width (Note)	T_{WCH}	—	$V_{IN} = V_{IH}$	80	—	ns
Clock Low Pulse Width (Note)	T_{WCL}	—	$V_{IN} = V_{IL}$	80	—	

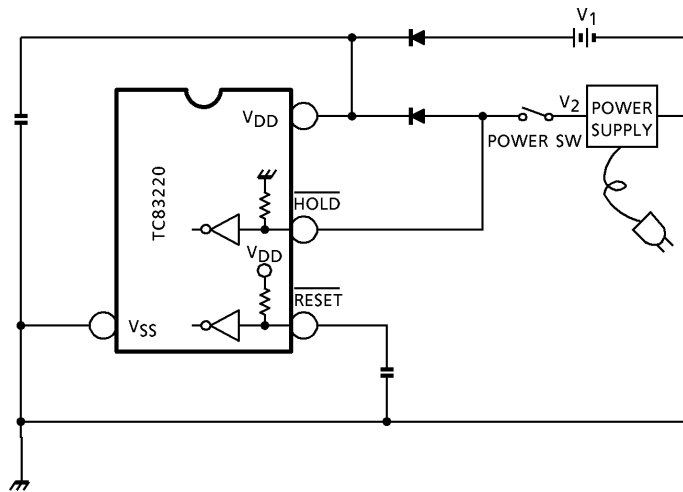
(Note) In case of the external clock operation.

ELECTRICAL CHARACTERISTICS

DC Characteristics ($V_{SS} = 0\text{ V}$, $V_{DD} \pm 10\%$, $T_{opr} = 0\sim 40^\circ\text{C}$)

CHARACTERISTICS	SYMBOL	TEST CIR-CUIT	CONDITION	MIN	TYP.	MAX	UNIT
Hysteresis Voltage (Schmitt circuit input)	V_{HS}	—	—	—	0.7	—	V
Input Current ($\overline{\text{RESET}}$, $\overline{\text{HOLD}}$, $\overline{\text{TEST}}$)	I_{IN}	—	$V_{DD} = 5.5\text{ V}$, $V_{IN} = 5.5/0\text{ V}$	—	—	± 50	μA
Output Leak Current (Source open drain)	I_{LO}	—	$V_{DD} = 5.5\text{ V}$, $V_{OUT} = -32\text{ V}$	—	—	-10	μA
Output High Voltage (P1~P2, R4~R9)	V_{OH}	—	$V_{DD} = 4.5\text{ V}$, $I_{OH} = -6\text{ mA}$	2.4	—	—	V
Input Pull Down Resistor (K0, R7~R9)	R_{IN}	—	$V_{DD} = 5.5\text{ V}$, $V_{KK} = -30\text{ V}$	—	100	—	k Ω
Pull Down Resistor (Source open drain)	R_{KK}	—		50	80	200	
Operating Supply Current	I_{DD0}	—	V_{DD} (V_{DDH}) 5.5 V , $f_c = 4\text{ MHz}$, $V_{IN} = 5.3/0.2\text{ V}$	—	3	6	mA
Supply Current (after clear)	I_{KK1}	—	$V_{KK} = -30\text{ V}$, $f_c = 4\text{ MHz}$	—	0.6	0.9	mA
Supply Current (Shown full digits)	I_{KK2}	—		—	3.5	6	
Holding Supply Current	I_{DDH}	—	$V_{DD} = 5.5\text{ V}$	—	0.5	10	μA
Oscillating Frequency	F_ϕ	—	$V_{DD} = 5.0\text{ V}$, $C = 100\text{ pF}$ $R = 1\text{ k}\Omega \pm 2\%$	2.4	4.0	5.6	MHz

THE PROPOSAL OF OUTER CIRCUIT FOR TAX RATE HOLDING WITH BACK-UP BATTERY.



(Note)

$V_1 = 3V$: battery supply

$V_2 = 5V$: DC supply

($\overline{\text{HOLD}}$ pin is pulled down in the LSI, but normally pulled up to V_{DD} .
 $\overline{\text{RESET}}$ pin is pulled up to V_{DD} .)

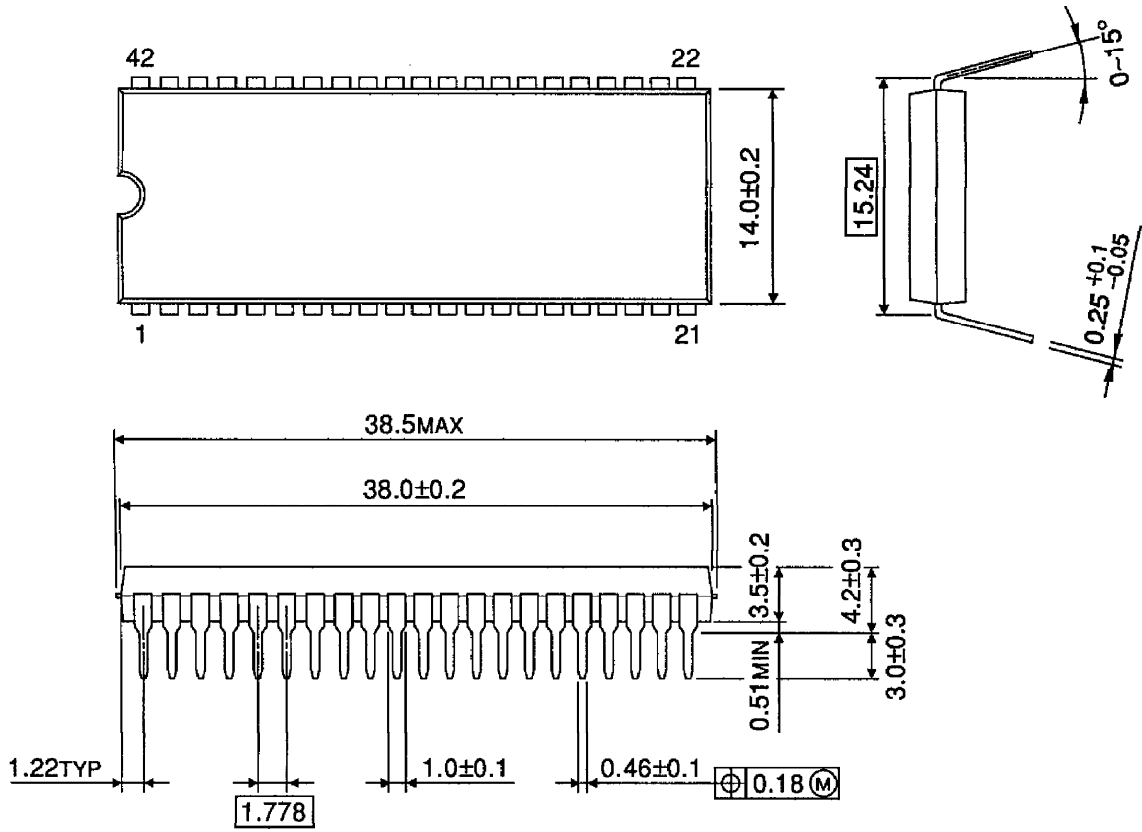
- ① Setting POWER SW to ON, V_2 is supplied to V_{DD} pin, and also to $\overline{\text{HOLD}}$ pin.
Then calculator operates normally.
- ② Setting POWER SW from ON to OFF, V_1 is supplied to V_{DD} pin and V_{SS} is supplied to $\overline{\text{HOLD}}$ pin.
Under this connection, TAX RATE is held.
- ③ Setting POWER SW to ON, V_2 is supplied to V_{DD} pin, and also to $\overline{\text{HOLD}}$ pin.
Then calculator operates normally with TAX RATE to be held.

<NOTE>

V_1 (battery) should be supplied to the circuit after V_2 (DC) supply, because of prevention from exhaustion of battery and abnormal operation.

PACKAGE DIMENSIONS
SDIP42-P-600-1.78

Unit : mm



Weight : 4.12g (Typ.)