


### SCR / SCR and SCR / DIODE

### MAGN-A-pak™ Power Modules

#### Features

- High voltage
- Electrically isolated base plate
- 3000 V<sub>RMS</sub> isolating voltage
- Industrial standard package
- Simplified mechanical designs, rapid assembly
- High surge capability
- Large creepage distances
- UL E78996 approved 

170A  
230A  
250A

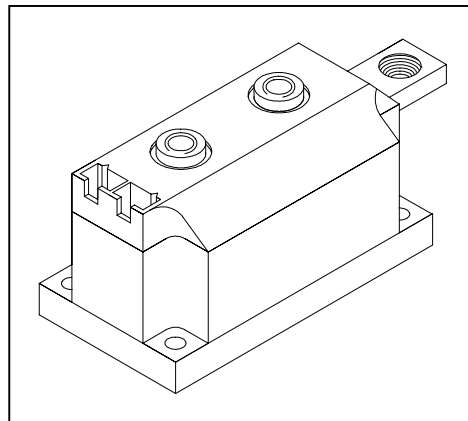
#### Description

This new IRK serie of MAGN-A-paks modules uses high voltage power thyristor/thyristor and thyristor/diode in seven basic configurations. The semiconductors are electrically isolated from the metal base, allowing common heatsinks and compact assemblies to be built. They can be interconnected to form single phase or three phase bridges or as AC-switches when modules are connected in anti-parallel mode.

These modules are intended for general purpose applications such as battery chargers, welders and plating equipment and where high voltage and high current are required (motor drives, U.P.S., etc.).

#### Major Ratings and Characteristics

Parameters	IRK.170..	IRK.230..	IRK.250..	Units	
$I_{T(AV)}$ @ 85°C	170	230	250	A	
$I_{T(RMS)}$	377	510	555	A	
$I_{TSM}$	@ 50Hz	5100	7500	8500	A
	@ 60Hz	5350	7850	8900	A
$I^2t$	@ 50Hz	131	280	361	KA <sup>2</sup> s
	@ 60Hz	119	256	330	KA <sup>2</sup> s
$I^2\sqrt{t}$	1310	2800	3610	KA <sup>2</sup> √s	
$V_{DRM} / V_{RRM}$	Up to 1600	Up to 2000	Up to 1600	V	
$T_J$ range	-40 to 130			°C	



**ELECTRICAL SPECIFICATIONS**

**Voltage Ratings**

Type number	Voltage Code	$V_{RRM}$ , $V_{DRM}$ , maximum repetitive peak reverse and off-state blocking voltage V	$V_{RSM}$ , maximum non-repetitive peak reverse voltage V	$I_{RRM}$ , $I_{DRM}$ max @ 130°C mA
IRK.170- IRK.250-	04	400	500	50
	08	800	900	
	12	1200	1300	
	14	1400	1500	
IRK.230-	16	1600	1700	50
	08	800	900	
	12	1200	1300	
	16	1600	1700	
	18	1800	1900	
	20	2000	2100	

**On-state Conduction**

Parameters	IRK.170	IRK.230	IRK.250	Units	Conditions
$I_{T(AV)}$ Maximum average on-state current @ Case temperature	170	230	250	A	180° conduction, half sine wave
$I_{T(RMS)}$ Maximum RMS on-state current	377	510	555	A	as AC switch
$I_{TSM}$ Maximum peak, one-cycle on-state, non-repetitive surge current	5100	7500	8500	A	t = 10ms No voltage
	5350	7850	8900		t = 8.3ms reapplied
	4300	6300	7150		t = 10ms 100% $V_{RRM}$
	4500	6600	7500		t = 8.3ms reapplied
$I^2t$ Maximum $I^2t$ for fusing	131	280	361	KA <sup>2</sup> s	t = 10ms No voltage
	119	256	330		t = 8.3ms reapplied
	92.5	198	255		t = 10ms 100% $V_{RRM}$
	84.4	181	233		t = 8.3ms reapplied
$I^2\sqrt{t}$ Maximum $I^2\sqrt{t}$ for fusing	1310	2800	3610	KA <sup>2</sup> √s	t = 0.1 to 10ms, no voltage reapplied
$V_{T(TO)1}$ Low level value of threshold voltage	0.89	1.03	0.97	V	(16.7% x $\pi$ x $I_{T(AV)}$ ) < I < $\pi$ x $I_{T(AV)}$ , $T_J = T_J$ max.
$V_{T(TO)2}$ High level value of threshold voltage	1.12	1.07	1.00	V	(I > $\pi$ x $I_{T(AV)}$ ), $T_J = T_J$ max.
$r_{t1}$ Low level on-state slope resistance	1.34	0.77	0.60	mΩ	(16.7% x $\pi$ x $I_{T(AV)}$ ) < I < $\pi$ x $I_{T(AV)}$ , $T_J = T_J$ max.
$r_{t2}$ High level on-state slope resistance	0.96	0.73	0.57	mΩ	(I > $\pi$ x $I_{T(AV)}$ ), $T_J = T_J$ max.
$V_{TM}$ Maximum on-state voltage drop	1.60	1.59	1.44	V	$I_{TM} = \pi$ x $I_{T(AV)}$ , $T_J = T_J$ max., 180° conduction Av. power = $V_{T(TO)1}$ x $I_{T(AV)}$ + $r_t$ x ( $I_{T(RMS)}$ ) <sup>2</sup>
$I_H$ Maximum holding current	500	500	500	mA	Anode supply=12V, initial $I_T=30A$ , $T_J=25^\circ C$
$I_L$ Maximum latching current	1000	1000	1000	mA	Anode supply=12V, resistive load=1Ω gate pulse: 10V, 100μs, $T_J = 25^\circ C$

**Switching**

Parameters	IRK.170	IRK.230	IRK.250	Units	Conditions
$t_d$ Typical delay time	1.0			μs	$T_J = 25^\circ C$ , Gate Current=1A $dI_{g/dt} = 1A/\mu s$ $V_d = 0,67\% V_{DRM}$
$t_r$ Typical rise time	2.0				
$t_q$ Typical turn-off time	50 - 150			μs	$I_{TM} = 300 A$ ; $-dI/dt=15 A/\mu s$ ; $T_J = T_J$ max ; $V_r = 50 V$ ; $dV/dt = 20 V/\mu s$ ; Gate 0 V, 100 ohm

**Blocking**

Parameters	IRK.170	IRK.230	IRK.250	Units	Conditions
$I_{RRM}$ Max. peak reverse and off-state leakage current	50			mA	$T_J = T_J \text{ max.}$
$V_{INS}$ RMS isolation voltage	3000			V	50Hz, circuit to base, all termin. shorted, 25°C, 1s
$dv/dt$ Critical rate of rise of off-state voltage	1000			V/ $\mu$ s	$T_J = T_J \text{ max.}$ , exponential to 67% rated $V_{DRM}$

**Triggering**

Parameters	IRK.170	IRK.230	IRK.250	Units	Conditions
$P_{GM}$ Maximum peak gate power	10.0			W	$tp \leq 5\text{ms}$ , $T_J = T_J \text{ max.}$
$P_{G(AV)}$ Maximum average gate power	2.0			W	$f = 50\text{Hz}$ , $T_J = T_J \text{ max.}$
$+I_{GM}$ Maximum peak gate current	3.0			A	$tp \leq 5\text{ms}$ , $T_J = T_J \text{ max.}$
$-V_{GT}$ Max. peak negative gate voltage	5.0			V	$tp \leq 5\text{ms}$ , $T_J = T_J \text{ max.}$
$V_{GT}$ Maximum required DC gate voltage to trigger	4.0			V	$T_J = -40^\circ\text{C}$
	3.0			V	$T_J = 25^\circ\text{C}$
	2.0			V	$T_J = T_J \text{ max.}$
$I_{GT}$ Maximum required DC gate current to trigger	350			mA	$T_J = -40^\circ\text{C}$
	200			mA	$T_J = 25^\circ\text{C}$
	100			mA	$T_J = T_J \text{ max.}$
$V_{GD}$ Maximum gate voltage that will not trigger	0.25			V	@ $T_J = T_J \text{ max.}$ , rated $V_{DRM}$ applied
$I_{GD}$ Maximum gate current that will not trigger	10.0			mA	@ $T_J = T_J \text{ max.}$ , rated $V_{DRM}$ applied
$di/dt$ Max rate of rise of turned-on current	500			A/ $\mu$ s	@ $T_J = T_J \text{ max.}$ , $I_{TM} = 400\text{A}$ rated $V_{DRM}$ applied

**Thermal and Mechanical Specifications**

Parameters	IRK.170	IRK.230	IRK.250	Units	Conditions
$T_J$ Junction operating temperature	-40 to 130			°C	
$T_{stg}$ Storage temperature range	-40 to 150			°C	
$R_{thJC}$ Maximum thermal resistance junction to case	0.17	0.125	0.125	K/W	Per junction, DC operation
$R_{thC-S}$ Thermal resistance, case to heatsink	0.02	0.02	0.02	K/W	Mounting surface flat, smooth and greased (per module)
T Mounting torque $\pm 10\%$	MAP to heatsink			Nm	A mounting compound is recommended and the torque should be rechecked after a period of about 3 hours to allow for the spread of the compound
	Busbar to MAP			Nm	
wt Approximate weight	500			g	
	17.8			oz	
Case style	MAGN-A-pak				

## IRK.170, .230, .250 Series

Bulletin I27102 rev. C 05/02

International  
IR Rectifier

### $\Delta R$ Conduction (per Junction)

(The following table shows the increment of thermal resistance  $R_{thJC}$  when devices operate at different conduction angles than DC)

Devices	Sinusoidal conduction @ $T_j$ max.					Rectangular conduction @ $T_j$ max.					Units
	180°	120°	90°	60°	30°	180°	120°	90°	60°	30°	
IRK.170-	0.009	0.010	0.010	0.020	0.032	0.007	0.011	0.015	0.020	0.033	K/W
IRK.230-	0.009	0.010	0.010	0.020	0.032	0.007	0.011	0.015	0.020	0.033	
IRK.250-	0.009	0.010	0.014	0.020	0.032	0.007	0.011	0.015	0.020	0.033	

### MAGN-A-paks Suitable for Current Source Inverters

Thyristor		Diode	$I_{T(AV)} / I_{F(AV)} @ T_C$		
$V_{DRM}$	$V_{RSM}$	$V_{RRM}$	170A	230A	250A
$V_{RRM}$		$V_{RSM}$	@ 85°C	@ 85°C	@ 85°C
1400	1500	2000	IRKH170-14D20	IRKH230-14D20	IRKH250-14D20
1400	1500	2000	IRKL170-14D20	IRKL230-14D20	IRKL250-14D20
1600	1700	2500	IRKH170-16D25	IRKH230-16D25	IRKH250-16D25
1600	1700	2500	IRKL170-16D25	IRKL230-16D25	IRKL250-16D25
1800	1900	2800	Not Available	IRKH230-18D28	Not Available
1800	1900	2800	Not Available	IRKL230-18D28	Not Available
2000	2100	3200	Not Available	IRKH230-20D32	Not Available
2000	2100	3200	Not Available	IRKL230-20D32	Not Available

For all other parameters and characteristics refer to standard IRKH... and IRKL... modules.

### Application Notes

Current Source Inverter using 9 MAGN-A-paks

#### Current Source Inverters

Current-Source Inverters (also known as Sequentially Commutated Inverters) use Phase Control (as opposed to Fast) Thyristors and Diodes.

The advantages of Current Source Inverters lie in their ease control, absence of large commutation inductances and limited fault currents. Their simple construction, illustrated by the circuit on the left, is further enhanced by the use of MAGN-A-paks which allow the power circuit of an Inverter to be realised with 6 capacitors and 9 MAGN-A-paks all mounted on just one heatsink.

The optimal design of Current Source Inverters requires the use of Diodes with blocking voltages greater than those of the thyristors. This departure from conventional half-bridge modules is catered for by MAGN-A-pak range with Thyristors up to 2000V and Diodes up to 3200V.

Ordering Information Table

**Device Code**

<b>IRK</b>	<b>T</b>	<b>250</b>	<b>-</b>	<b>14</b>	<b>D20</b>
①	②	③		④	⑤

<b>1</b>	-	Module type
<b>2</b>	-	Circuit configuration (See Outline Table)
<b>3</b>	-	Current rating
<b>4</b>	-	Voltage code: Code x 100 = $V_{RRM}$ (See Voltage Ratings Table)
<b>5</b>	-	Current Source Inverters Types

Outline Table

- All dimensions in millimeters (inches)
- Dimensions are nominal
- Full engineering drawings are available on request
- UL identification number for gate and cathode wire: UL 1385
- UL identification number for package: UL 94V0

IRKT...	IRKH...	IRKL...	IRKU...	IRKV...	IRKK...	IRKN...
---------	---------	---------	---------	---------	---------	---------

**NOTE: To order the Optional Hardware see Bulletin I27900**

**IRK.170, .230, .250 Series**

Bulletin I27102 rev. C 05/02

International  
**IOR** Rectifier

Data and specifications subject to change without notice.  
This product has been designed and qualified for Industrial Level.  
Qualification Standards can be found on IR's Web site.

International  
**IOR** Rectifier

**IR WORLD HEADQUARTERS:** 233 Kansas St., El Segundo, California 90245, USA Tel: (310) 252-7105  
TAC Fax: (310) 252-7309

Visit us at [www.irf.com](http://www.irf.com) for sales contact information. 05/02