

MEDIUM BARRIER SCHOTTKY MATCHED PAIR DIODE

DESCRIPTION:

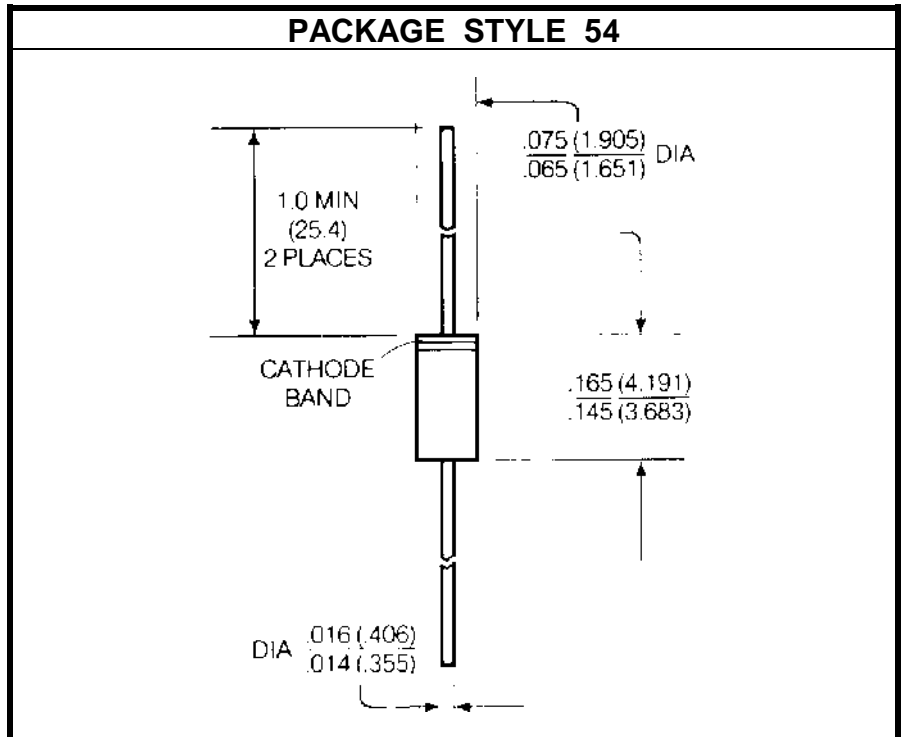
The **ASI MA4853M** is a Silicon Schottky Mixer Matched pair Diode. Designed for use in Stripline and coaxial mixers and upconverters.

FEATURES:

- High Reliability.
- Low Noise Figure.

MAXIMUM RATINGS

I	150 mA
V	3.0 mV
P_{DISS}	250 mW @ T _C = 25 °C
T_J	-65 °C to +150 °C
T_{STG}	-65 °C to +175 °C


CHARACTERISTICS T_C = 25 °C

SYMBOL	TEST CONDITIONS	MINIMUM	TYPICAL	MAXIMUM	UNITS
ΔL_C	Matched Pairs			0.3	dB
ΔZ_{IF}				25	Ω
C_{J0}	V _R = 0 V		f = 1 MHz	2.0	pF
Z_{IF}	F = 3.000 GHz R _L = 22 Ω	125		250	Ohms
SWR	P _{LO} = 1.0 mW			1.5	---
NF	P _{LO} = 1 mW F _{IF} = 3.0 GHz N _{IF} = 1.5 dB R _L = 22 Ω			5.5	dB