

TENTATIVE TOSHIBA BIPOLAR LINEAR INTEGRATED CIRCUIT SILICON MONOLITHIC

TA1275AZ

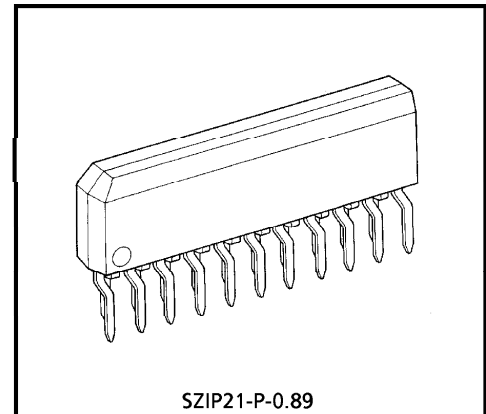
SECAM DEMODULATOR PROCESSOR

TA1275AZ is the SECAM demodulation IC, which accomplishes a multicolor system with TB1231 series.

This IC requires very few external parts.

FEATURES

- Working with TB1231 series, which is PAL/NTSC PIF/VIF/VIDEO/CHROMA/DEF processor.
- Built-in Bell filter
- Built-in FM demodulator with PLL circuit for color demodulation and SECAM identification
- DC voltage offset of demodulated signal adjuster
- Input terminals for external R-Y/B-Y signals



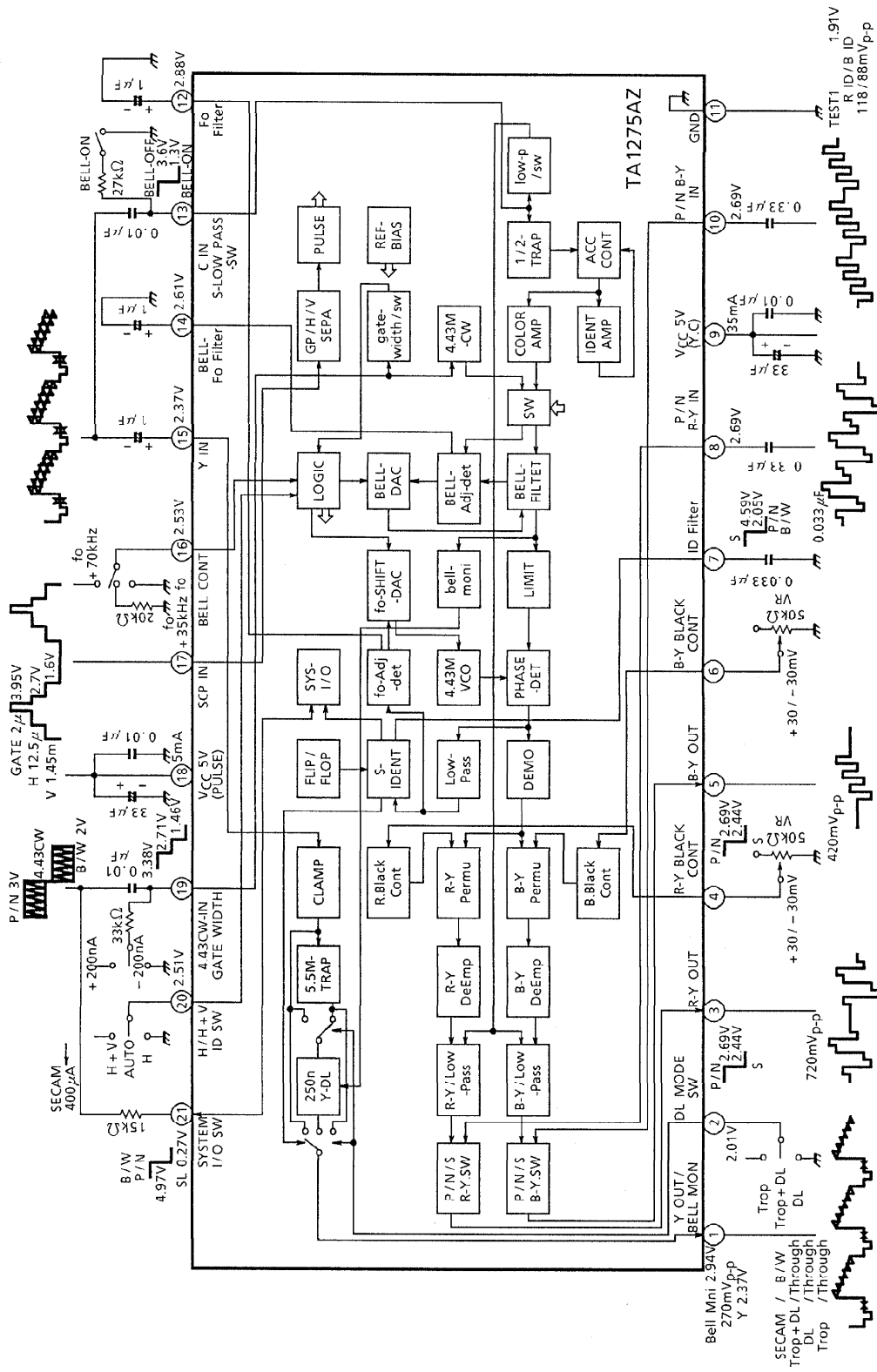
SZIP21-P-0.89

Weight : 1.0g (Typ.)

980508EBA1

- TOSHIBA is continually working to improve the quality and the reliability of its products. Nevertheless, semiconductor devices in general can malfunction or fail due to their inherent electrical sensitivity and vulnerability to physical stress. It is the responsibility of the buyer, when utilizing TOSHIBA products, to observe standards of safety, and to avoid situations in which a malfunction or failure of a TOSHIBA product could cause loss of human life, bodily injury or damage to property. In developing your designs, please ensure that TOSHIBA products are used within specified operating ranges as set forth in the most recent products specifications. Also, please keep in mind the precautions and conditions set forth in the TOSHIBA Semiconductor Reliability Handbook.
- The products described in this document are subject to foreign exchange and foreign trade laws.
- The information contained herein is presented only as a guide for the applications of our products. No responsibility is assumed by TOSHIBA CORPORATION for any infringements of intellectual property or other rights of the third parties which may result from its use. No license is granted by implication or otherwise under any intellectual property or other rights of TOSHIBA CORPORATION or others.
- The information contained herein is subject to change without notice.

BLOCK DIAGRAM



MAXIMUM RATINGS (Ta = 25°C)

CHARACTERISTIC	SYMBOL	RATING	UNIT
Supply Voltage	V _{CCmax}	8	V
Signal Voltage at Each Input Pin	e _{inmax}	5	V _{p-p}
Power Consumption	P _D (Note)	780	mW
Power Consumption Reduction Ratio	1 / Q _{ja}	6.3	mW / °C
Operating Temperature	T _{opr}	- 20~65	°C
Storage Temperature	T _{stg}	- 55~150	°C

(Note) Refer to the figure below.

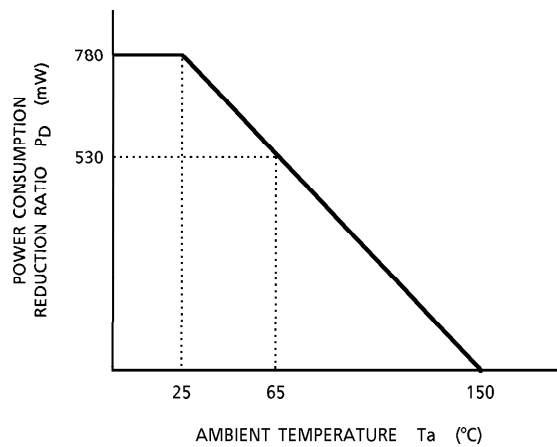


Fig. Power consumption reduction against higher temperature.

RECOMMENDED CONDITION IN USE

CHARACTERISTIC	DESCRIPTION	MIN.	TYP.	MAX.	UNIT
Supply Voltage	pin 9, 18	4.5	5.0	5.5	—
Y Input Signal Level	white : 100%, including sync.	0.9	1.0	1.1	V _{p-p}
Color Difference Input Level	Burst level	270	300	330	mV _{p-p}
SCP Input Level	G level	3.25	4.0	5.0	V
	H level	1.95	2.1	2.6	
	V level	1.1	1.25	1.4	

ELECTRICAL CHARACTERISTICS

(YC V_{CC}/PULSE V_{CC} = 5V, Ta = 25°C, Unless otherwise specified)

Current consumption

PIN NAME	SYMBOL	TEST CIR-CUIT	MIN.	TYP.	MAX.	UNIT
V _{CC} (Y/C)	I _{CC1}	—	32.0	38.5	48.1	mA
V _{CC} (PULSE)	I _{CC2}	—	5.6	6.7	8.4	

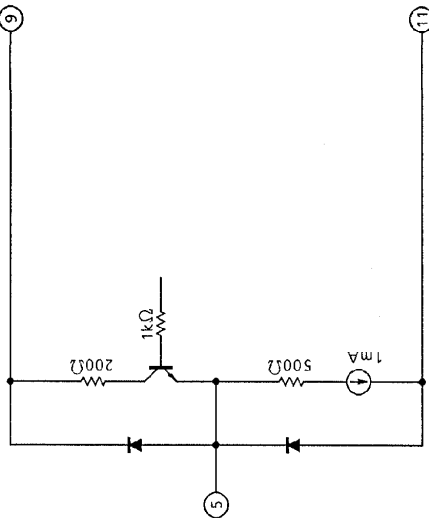
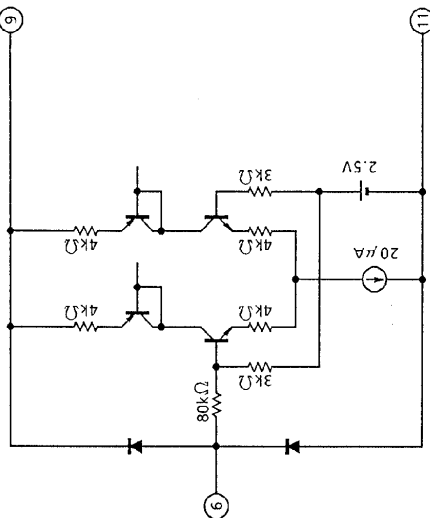
TERMINAL VOLTAGE

PIN No.	PIN NAME	SYMBOL	TEST CIR-CUIT	MIN.	TYP.	MAX.	UNIT
1	Y OUT	V ₁	—	2.35	2.55	2.75	V
2	MODE SW	V ₂	—	1.80	2.00	2.20	
3	R-Y OUT	V ₃	—	2.10	2.40	2.70	
4	R-Y BLACK CONTROL	V ₄	—	2.30	2.50	2.70	
5	B-Y OUT	V ₅	—	2.10	2.40	2.70	
6	B-Y BLACK CONTROL	V ₆	—	2.30	2.50	2.70	
7	S-ID FILTER (killer OFF)	V ₇	—	4.25	4.55	4.85	
8	EXT. R-Y IN	V ₈	—	2.40	2.60	2.80	
10	EXT. B-Y IN	V ₁₀	—	2.40	2.60	2.80	
12	F0-ADJ. FILTER	V ₁₂	—	2.55	3.00	3.45	
13	C IN	V ₁₃	—	3.50	3.70	3.90	
14	BELL ADJ. FILTER	V ₁₄	—	2.20	2.50	2.80	
15	Y IN	V ₁₅	—	2.30	2.50	2.70	
16	BELL CONTROL	V ₁₆	—	4.80	5.00	5.20	
19	4.43MHz CW-IN	V ₁₉	—	2.50	2.75	3.00	
20	ID SW	V ₂₀	—	2.30	2.50	2.70	
21	SECAM ID I/O (killer OFF)	V ₂₁	—	0.00	0.20	0.60	

(Note) Pin 3, 5, 7, 12 and 18 are weak against static electricity and surge impulse. Please take confer measure to meet, if necessary.

TERMINAL INTERFACE		FUNCTION	INTERFACE CIRCUIT	INPUT/OUTPUT SIGNAL
PIN No.	PIN NAME			
1	Y OUT	<p>The output pin for Y signal. Standard output level is 1.0V_{p-p}. The 5.5MHz trap filter and delay line on the Y signal processing is controlled by the switch on pin #2.</p> <p>The output signal of the bell filter can be monitored on this pin by switching pin #13 for testing.</p>		—
2	MODE SW	<p>The pin for controlling the Y processing mode.</p> <p>to VCC : 5.5MHz trap open : 5.5MHz trap + D. L. to GND : DL</p>		—

PIN No.	PIN NAME	FUNCTION	INTERFACE CIRCUIT	INPUT/OUTPUT SIGNAL
3	R-Y OUT	<p>The output pin for demodulated R-Y signal. Standard output level is 0.7V_{p-p} with standard color bar signal. R-Y processor has a LPF to eliminate the carrier components.</p>		-
4	R-Y BLACK CONTROL	<p>The pin for controlling the black offset level. Adjusting range is within $\pm 30\text{mV}$ (This pin should be opened in the case of using with TB1231, because TB1231 has an IIC BUS control for SECAM black alignment.)</p>		-

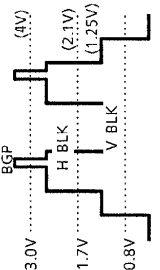
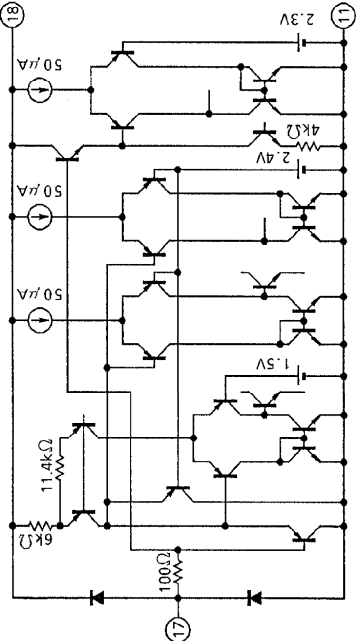
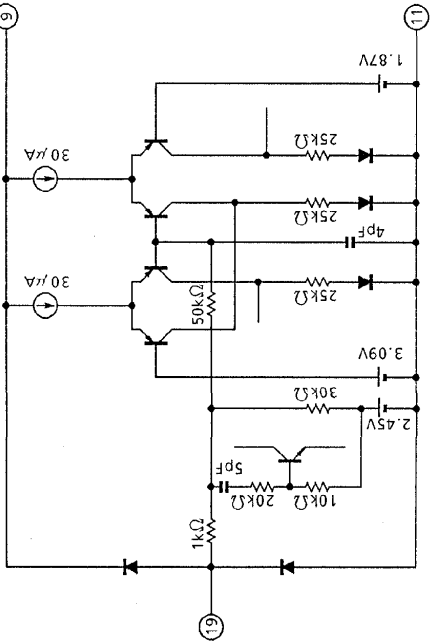
PIN No.	PIN NAME	FUNCTION	INTERFACE CIRCUIT	INPUT/OUTPUT SIGNAL
5	B-Y OUT	<p>The output pin for demodulated B-Y signal. Standard output level is 0.56V_{p-p}. B-Y processor has a LPF to eliminate the carrier components.</p>		-
6	B-Y BLACK CONTROL	<p>The pin for controlling the black offset level. Adjusting range is within ±30mV (This pin should be opened in the case of using with TB1231, because TB1231 has an IIC BUS control for SECAM black alignment.)</p>		-

PIN No.	PIN NAME	FUNCTION	INTERFACE CIRCUIT	INPUT / OUTPUT SIGNAL
7	S-ID FILTER	<p>The pin for connecting the SECAM ident filter capacitor.</p> <p>A too big capacitor causes a time delay to get color signal on a picture, and a weak RF signal performance would getting worth if the capacitor is too small.</p>		-
8	EXT. R-Y IN	<p>The input pin for external R-Y signal. The gain of the internal amplifier is 0dB.</p>		-
9	5V VCC	<p>The VCC pin for Y/C processing block.</p>	-	-

PIN No.	PIN NAME	FUNCTION	INTERFACE CIRCUIT	INPUT / OUTPUT SIGNAL
10	EXT. B-Y IN	The input pin for external B-Y signal. The gain of the internal amplifier is 0dB.		-
11	GND	The GND pin.	-	-
12	FO-ADJ. FILTER	The pin for connecting a capacitor for automatic adjusting circuit. A too big capacitor causes a time delay to get color signal on a picture, and the picture noise, flicker, would be appeared if the capacitor is too small.		-

PIN No.	PIN NAME	FUNCTION	INTERFACE CIRCUIT	INPUT / OUTPUT SIGNAL
13	C IN	<p>The chroma signal input pin. Apply composite signal through 0.01μF of coupling capacitor. Standard input signal level is 1V_{p-p}.</p> <p>The bell monitor switch for testing is overlaid on this pin. When connecting this pin to GND through 27kΩ, the bell filter output is observed on the pin #1 (Y-OUT).</p>		-
14	BELL-ADJ. FILTER	<p>The pin for connecting the filter capacitor for the bell filter f₀. 4.286MHz.</p> <p>A too big capacitor causes a time delay on bell filter f₀ adjusting, and picture would be noisy if it is too small.</p>		-

PIN No.	PIN NAME	FUNCTION	INTERFACE CIRCUIT	INPUT / OUTPUT SIGNAL
15	Y IN	<p>The Y signal input pin. Apply the composite signal into this pin through a coupling capacitor. The standard input level is 1.0V_{p-p}.</p>		-
16	BELL CONTROL	<p>The pin for selecting the bell filter f_0.</p> <p>$f_0 + 70\text{kHz}$: OPEN (= V_{CC})</p> <p>$f_0 + 35\text{kHz}$: 20kΩ to GND (= 1.7V)</p> <p>f_0 : to GND (= 0V)</p>		-

PIN No.	PIN NAME	FUNCTION	INTERFACE CIRCUIT	INPUT / OUTPUT SIGNAL
17	S.C.P. IN	The pin for input the sand castle pulse, SCP. 		-
18	5V VCC	VCC pin for logic block.	-	-
19	4.43MHz CW-IN	The pin for input 4.43MHz of carrier wave for self adjustment circuit. Input 500mV _{p-p} sine wave through a coupling capacitor. The switch for changing the gate pulse width is overlaid on this pin. +200nS : to VCC thru 33kΩ 0nS : open -200nS : to GND thru 33kΩ		-

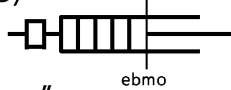
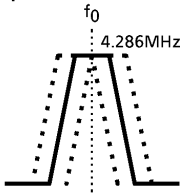
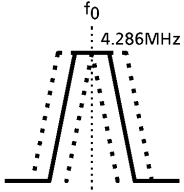
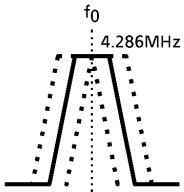
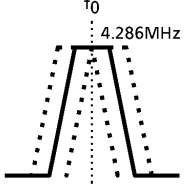
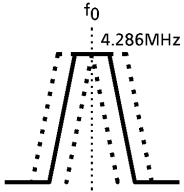
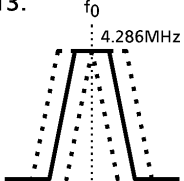
PIN No.	PIN NAME	FUNCTION	INTERFACE CIRCUIT	INPUT / OUTPUT SIGNAL
20	ID SW	<p>The switch pin for selecting the ID detection mode.</p> <p>H + V : connected to VCC Auto search (H, V, H + V) : opened H : connected to GND</p>		-
21	SECAM ID I/O	<p>The interface pin to the main processor (i.e., TB1231).</p> <p>This input/output interface pin sinks two value of current corresponded to the ID level of the SECAM input signal.</p> <p>Strong SECAM : 420μA SECAM : 180μA</p> <p>This pin turns the internal/external switch by the input DC voltage.</p> <p>Internal : GND~2.5V External : 2.5V~VCC</p>		-

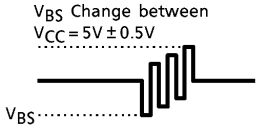
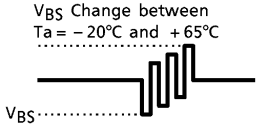
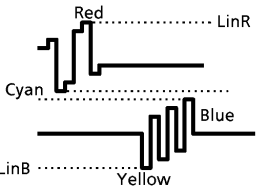
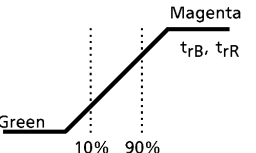
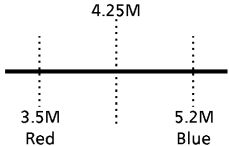
AC CHARACTERISTIC (Unless otherwise specified, $V_{CC} = 5V$ (9 & 18pin), $T_a = 25^\circ C$)

No.	ITEM	SYMBOL	TEST CIR-CUIT	TEST CONDITION	RATING			UNIT
					MIN.	TYP.	MAX.	
1	Bell Monitor Output Amplitude	ebmo	—	(Note 1)	170	260	350	mV (p-p)
2	Bell / Filter f_0	f_{0B-C}	—	(Note 2)	-23	0	30	kHz
3	Bell / Filter f_0 Variable Range	f_{0B-H}	—	(Note 3)	+40	+70	+100	kHz
		f_{0B-L}			+10	+35	+60	kHz
4	Bell / Filter f_0 V_{CC} Drift	Δf_{0BELV}	—	(Note 4)	-25	0	+25	kHz
5	Bell / Filter f_0 Thermal Drift	Δf_{0BELT}	—	(Note 5)	-30	0	+30	kHz
6	Bell / Filter Q	Q_{BEL}	—	(Note 6)	14	16	18	—
7	Color Difference Output Amplitude	V_{BS}	—	(Note 7)	0.39	0.56	0.73	V (p-p)
		V_{RS}			0.5	0.7	0.99	V (p-p)
8	Color Difference Relative Amplitude	R / B-S	—	(Note 8)	1.24	1.35	1.52	—
9	Color Difference S / N	$SNB-S$	—	(Note 9)	-40	-46	—	dB
		$SNR-S$			-40	-46	—	dB
10	Color Difference Output V_{CC} Drift	ΔV_{BVH}	—	(Note 10)	-8	0	+8	%
		ΔV_{BVL}			-8	0	+8	%
11	Color Difference Output Thermal Drift	ΔV_{BTH}	—	(Note 11)	-8	0	+8	%
		ΔV_{BTL}			-8	0	+8	%
12	Linearity	$LinB$	—	(Note 12)	93	100	107	%
		$LinR$			93	100	107	%
13	Rising Time	t_{rR}	—	(Note 13)	—	1.3	2.0	μs
		t_{rB}			—	1.3	2.0	μs
14	Demodulation Hold Range	H_{RL}	—	(Note 14)	—	3.5	3.9	MHz
		H_{BH}			4.75	5.2	—	MHz
15	Demodulation Capture Range	C_{RL}	—	(Note 15)	—	3.5	3.9	MHz
		C_{BH}			4.75	5.2	—	MHz
16	Killer Operation Input Level	e_{SK}	—	(Note 16)	0.5	1	2	mV (p-p)
		e_{SC}			0.5	1	2	mV (p-p)
17	Carrier Remains on Demodulated Output	C_{LRS}	—	(Note 17)	—	3	10	mV (p-p)
		C_{LBS}			—	3	10	mV (p-p)
18	Black Level Offset	E_{rR}	—	(Note 18)	-30	0	+30	mV
		E_{rB}			-30	0	+30	mV
19	ID Voltage	$V_{21color}$	—	(Note 19)	0.12	0.2	0.6	V
		$V_{21B/W}$			4.25	4.55	4.85	V
20	ID Current	$I_{21strong}$	—	(Note 20)	310	420	530	μA
		$I_{21SECAM}$			133	180	225	μA
		$I_{21B/W}$			—	0	10	μA
21	System SW Threshold Level	$V_{21P/N}$	—	(Note 21)	2.3	2.5	2.7	V
		V_{21S}			2.3	2.5	2.7	V
22	Color Difference Output DC Level	$V_{3P/N}$	—	(Note 22)	2.3	2.6	2.9	V
		$V_{5P/N}$			2.3	2.6	2.9	V
		V_{3S}			2.1	2.4	2.7	V
		V_{5S}			2.1	2.4	2.7	V

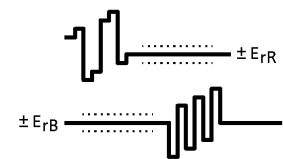
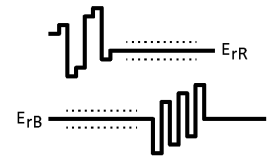
No.	ITEM	SYMBOL	TEST CIR-CUIT	TEST CONDITION	RATING			UNIT
					MIN.	TYP.	MAX.	
23	R-Y/B-Y Color Black Level Control Characteristics	ΔE_{rR+}	—	(Note 23)	27	30	33	mV
		ΔE_{rR-}			-33	-30	-27	mV
		ΔE_{rB+}			27	30	33	mV
		ΔE_{rB-}			-33	-30	-27	mV
24	Ext. Color Difference Gain	G_{EXTR}	—	(Note 24)	0.8	1.0	1.2	—
		G_{EXTB}			0.8	1.0	1.2	—
25	4.43MHz CW Min. Input Level	V_{CW}	—	(Note 25)	200	—	—	mV (p-p)
26	Gate Pulse Width Variable Range	W_{GPVCC}	—	(Note 26)	1.7	1.8	1.9	μs
		W_{GP}			1.9	2.0	2.1	μs
		W_{GPGND}			2.1	2.2	2.3	μs
27	Y DL Characteristics (at 3MHz)	t_{YDL}	—	(Note 27)	180	250	360	—
28	Y Trap Characteristics	$f_{0Y5.5}$	—	(Note 28)	4.5	5.5	6.5	MHz
		$G_{at f_0}$			20	35	—	dB
29	Y Input Dynamic Range	DR_{YS}	—	(Note 29)	1.2	1.5	1.8	V (p-p)
		DR_{YBW}			1.2	1.5	1.8	V (p-p)
30	Y Gain	G_{YS}	—	(Note 30)	0.8	1.0	1.2	—
		G_{YBW}			0.8	1.0	1.2	—

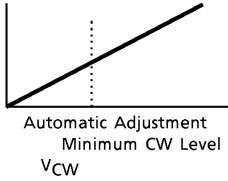
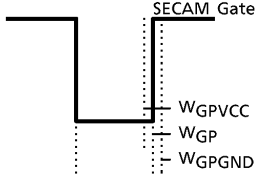
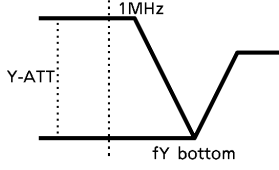
TEST CONDITION (Unless otherwise specified, $V_{CC} = 5V$ (9 & 18pin), $T_a = 25^\circ C$)

NOTE	ITEM	TEST CONDITION
1	Bell Monitor Output Amplitude	(1) : Input a 75% color bar signal (200mV _{p-p} at R ID) into Pin 13. (2) : Connect pin 13 to GND through 27kΩ. (3) : Measure R-Y ID amplitude at Pin 1, that is "ebmo". 
2	Bell / Filter f_0	(1) : Input a 20mV _{p-p} sine wave whose frequency is sweep into Pin 13. (2) : Connect pin 13 to GND through 27kΩ. (3) : Keep pin 16 GND. (4) : Measure the frequency at which Pin 1 output is the biggest, that is " f_{0BEL} ". (5) : Calculate : " $f_{0B-C} = f_{0BEL} - 4,286$ [kHz]." 
3	Bell / Filter f_0 Variable Range	(1) : Input a 20mV _{p-p} sine wave whose frequency is sweep into Pin 13. (2) : Connect pin 13 to GND through 27kΩ. (3) : Measure the frequency at which Pin 1 output is the biggest when V_{CC} is 5.5V / 4.5V, that is $f_{0BEL5.5} / f_{0BEL4.5}$. (4) : Calculate : " $f_{0B-H} = f_{0BELH} - 4,286$ [kHz]." " $f_{0B-L} = f_{0BELL} - 4,286$ [kHz]." 
4	Bell / Filter f_0 VCC Drift	(1) : Input a 20mV _{p-p} sine wave whose frequency is sweep into Pin 13. (2) : Connect pin 13 to GND through 27kΩ. (3) : Pin 16 is GND. (4) : Measure the frequency at which Pin 1 output is the biggest when V_{CC} is 5.5V / 4.5V, that is $f_{0BEL5.5} / f_{0BEL4.5}$. (5) : Calculate : " $\Delta f_{0BELV} = f_{0BEL5.5} - f_{0BEL4.5}$ " 
5	Bell / Filter f_0 Thermal Drift	(1) : Input a 20mV _{p-p} sine wave whose frequency is sweep into Pin 13. (2) : Connect pin 13 to GND through 27kΩ. (3) : Pin 16 is GND. (4) : Measure the frequency at which Pin 1 output is the biggest when atmosphere is $-20^\circ C / +65^\circ C$, that is $f_{0BEL-20} / f_{0BEL+65}$. (5) : Calculate : " $\Delta f_{0BELT} = f_{0BEL-20} - f_{0BEL+65}$ " 
6	Bell / Filter Q	(1) : Input a 20mV _{p-p} sine wave whose frequency is sweep into Pin 13. (2) : Connect pin 13 to GND through 27kΩ. (3) : Pin 16 is GND. (4) : Observe the frequency response of Pin 1 output. (5) : Calculate : " $Q_{BEL} = (MAX - 3dB \text{ Band Width}) / f_{0BEL}$ ". 
7	Color Difference Output Amplitude	(1) : Input a 75% color bar (200mV _{p-p} at R ID) into Pin 13. (2) : Measure the R-Y output amplitude at Pin 3, that is "VRS". (3) : Measure the B-Y output amplitude at Pin 5, that is "VBS". 

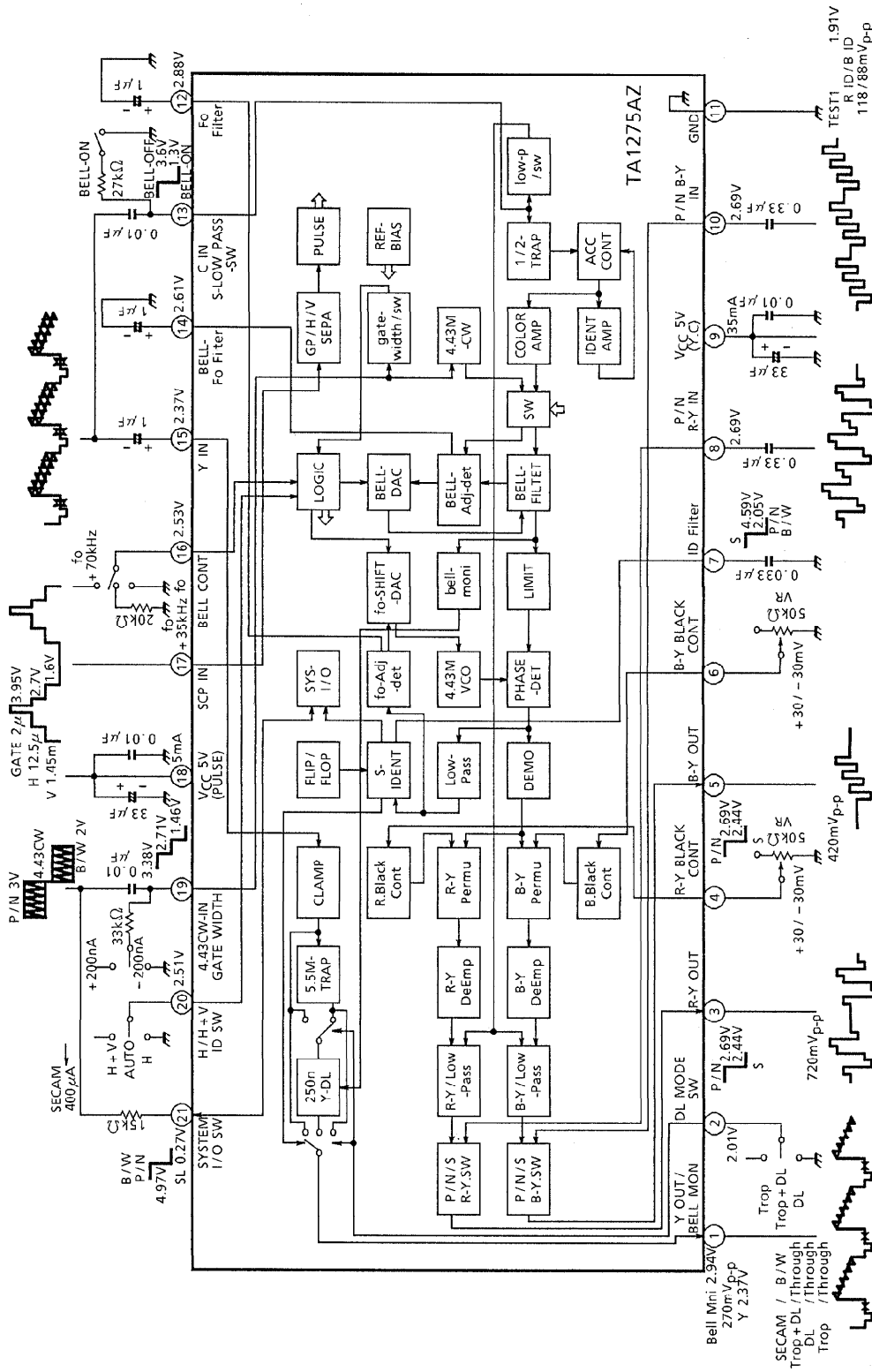
NOTE	ITEM	TEST CONDITION
8	Color Difference Relative Amplitude	Calculate : "R/B-S" = V_{RS}/V_{BS} .
9	Color Difference S/N	(1) : Input a 200mV _{p-p} non-modulated chroma signal into Pin 13. (2) : Measure the amplitude of noise on Pin 3, that is n _R . (3) : Measure the amplitude of noise on Pin 5, that is n _B . (4) : Calculate : "SNB-S" = $20\log(2\sqrt{2V_{BS}/n_B})$ "SNR-S" = $20\log(2\sqrt{2V_{RS}/n_R})$
10	Color Difference Output VCC Drift	(1) : Input a 75% color bar (200mV _{p-p} at R ID) into Pin 13. (2) : Measure the B-Y output amplitude at Pin 5 when V _{CC} is 5.5V/4.5V, that is V _{BS5.5} /V _{BS4.5} . (3) : Calculate : " ΔV_{BVH} " = $(V_{BS5.5} - V_{BS})/V_{BS} * 100$ [%] " ΔV_{BVL} " = $(V_{BS4.5} - V_{BS})/V_{BS} * 100$ [%] 
11	Color Difference Output Thermal Drift	(1) : Input a 75% color bar (200mV _{p-p} at R ID) into Pin 13. (2) : Measure the B-Y output amplitude at Pin 5 when atmosphere is -20°C / +65°C, that is V _{BS-20} /V _{BS+65} . (3) : Calculate : " V_{BSTH} " = $(V_{BS+65} - V_{BS})/V_{BS} * 100$ [%] " V_{BSTL} " = $(V_{BS-20} - V_{BS})/V_{BS} * 100$ [%] 
12	Linearity	(1) : Input a 75% color bar (200mV _{p-p} at R ID) into Pin 13. (2) : Measure the amplitude between Black and Cyan/Red, that is V _{Cyan} /V _{Red} . (3) : Measure the amplitude between Black and Yellow/Blue, that is V _{Yellow} /V _{Blue} . (4) : Calculate : "LinR" = V _{Cyan} /V _{Red} "LinB" = V _{Yellow} /V _{Blue} 
13	Rising Time	(1) : Input a 75% color bar (200mV _{p-p} at R ID) into Pin 13. (2) : Measure the rising time (from 10% to 90%) between Green and Magenta at Pin 3 / Pin 5, that is "t _{rR} " / "t _{rB} ". 
14	Demodulation Hold Range	(1) : Input a 200mV _{p-p} , 2MHz sine wave into Pin 13. (2) : Increasing the input frequency, measure the frequencies at which demodulated output appears at Pin 3, that is "C _{RL} ", and at which demodulates output disappears at Pin 5, that is "H _{BH} ". 
15	Demodulation Capture Range	(3) : Input a 200mV _{p-p} , 7MHz sine wave into Pin 13. (4) : Decreasing the input frequency, measure the frequencies at which demodulated output appears at Pin 5, that is "C _{BH} ", and at which demodulated output disappears at Pin 3, that is "H _{RL} ".

NOTE	ITEM	TEST CONDITION
16	Killer ON/OFF Level	(1) : Input a 75% color bar (200mV _{p-p} at R ID) into Pin 13. (2) : Decreasing the input amplitude, measure the amplitude at which demodulated outputs disappear at Pin 3 and Pin 5, that is "e _{SK} ". (3) : Increasing the input amplitude from 0mV _{p-p} , measure the amplitude at which demodulated outputs appears at Pin 3 and Pin 5, that is "e _{SC} ".
17	Carrier Remains on Demodulated Output	(1) : Input a 200mV _{p-p} non-modulated chrome signal into Pin 13. (2) : Measure the amplitude of 4.25MHz signal at Pin 3, that is "CL _{RS} ". (3) : Measure the amplitude of 4.406MHz signal at Pin 5, that is "CL _{BS} ".
18	Black Level Offset	(1) : Input a 200mV _{p-p} non-modulated chrome signal into Pin 13. (2) : Pin 4 and Pin 6 are opened. (3) : Measure the difference between picture period and blanking period at Pin 3 / Pin 5, that is "E _{FR} " / "E _{RB} ".
19	ID Voltage	(1) : Input a 75% color bar (200mV _{p-p} at R ID) into Pin 13.
20	ID Current	(2) : Measure the voltage and input current of Pin 21, that are "V _{21color} " and "I _{21color} ". (3) : No input on Pin 13. (4) : Measure the voltage and input current of Pin 21, that are "V _{21B/W} " and "I _{21B/W} ".
21	System SW Threshold Level	(1) : Input a 200mV _{p-p} , 15kHz sine wave into Pin 8 and Pin 10. (2) : No input Pin 13. (3) : Increasing the Pin 21 voltage from 0V, measure the voltage at which 15kHz sine wave appears at Pin 3 and Pin 5, that is "V _{21PIN} ". (4) : Decreasing the Pin 21 voltage from 4V, measure the voltage at which 15kHz sine wave disappears at Pin 3 and Pin 5, that is "V _{21S} ".
22	Color Difference Output DC Level	(1) : No input on Pin 13. (2) : Measure the DC voltage on Pin 3 / Pin 5 when Pin 21 is 4V, that is "V _{3PIN} " / "V _{5PIN} ". (3) : Measure the DC voltage on Pin 3 / Pin 5 when Pin 21 is 0V, that is "V _{3S} " / "V _{5S} ".
23	R-Y B-Y Black Level Control Characteristics	(1) : Input a 75% color bar (200mV _{p-p} at R ID) into Pin 13. (2) : Measure the difference between picture period and blanking period at Pin 3 when Pin 4 is 4V / 0V, that is E _{FR+} / E _{FR-} . (3) : Measure the difference between picture period and blanking period at Pin 5 when Pin 6 is 4V / 0V, that is E _{RB+} / E _{RB-} . (4) : Calculate : "ΔE _{FR+} " = E _{FR+} - E _{FR-} "ΔE _{FR-} " = E _{FR-} - E _{FR+} "ΔE _{RB+} " = E _{RB+} - E _{RB-} "ΔE _{RB-} " = E _{RB-} - E _{RB+}



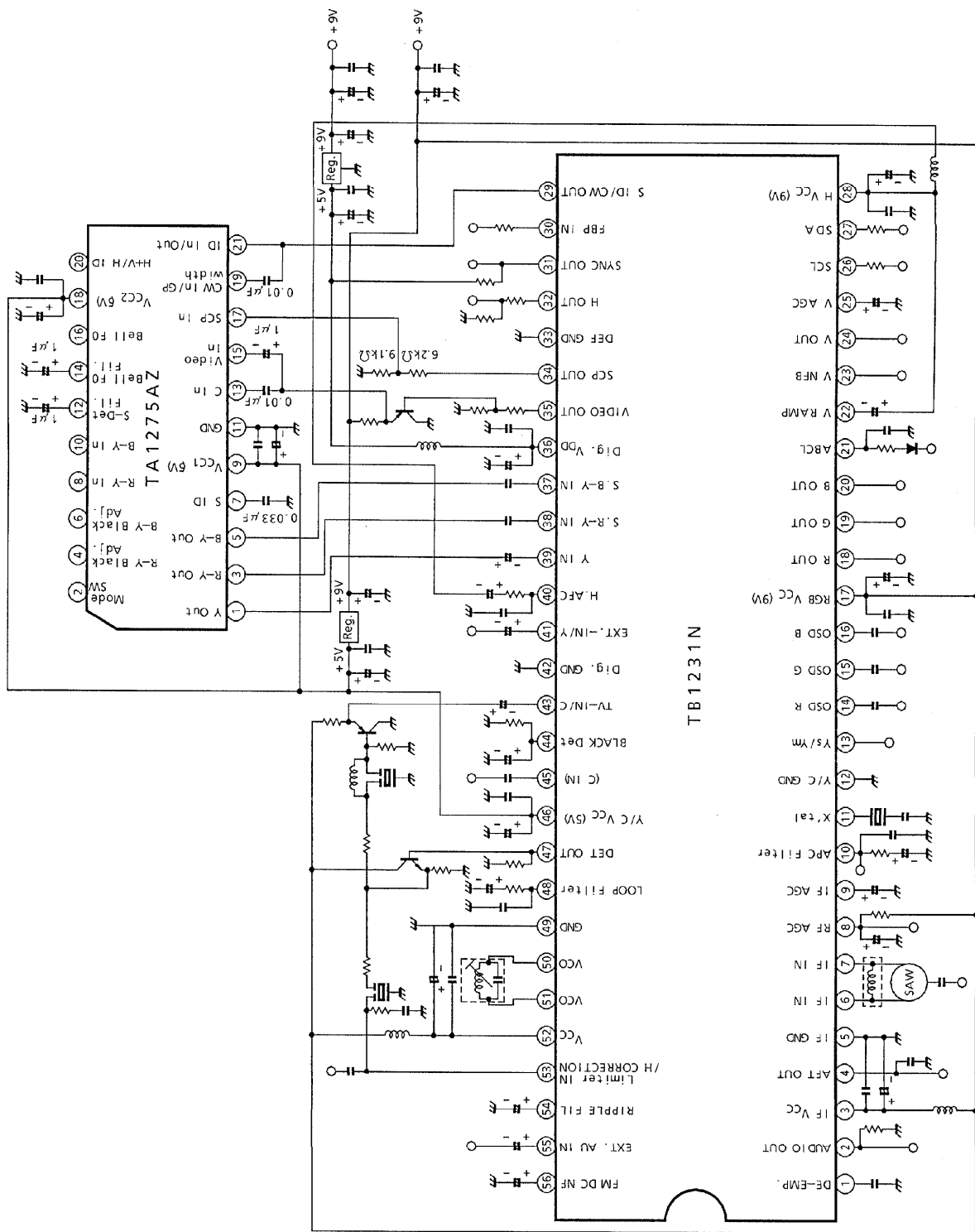
NOTE	ITEM	TEST CONDITION
24	Ext. Color Difference Gain	(1) : Input a 200mV _{p-p} , 15kHz sine wave into Pin 8 and Pin 10. (2) : Supply 4V to Pin 21. (3) : Measure the output amplitudes at Pin 3 and Pin 5, that are V _{EXTR} and V _{EXTB} . (4) : Calculate : "G _{EXTR} " = V _{EXTR} / 200 [mV] "G _{EXTB} " = V _{EXTB} / 200 [mV]
25	4.43MHz CW Min. Input Level	(1) : Input a 75% color bar (200mV _{p-p} at R ID) into Pin 13. (2) : Increasing an amplitude of 4.43MHz Continuous Wave inputted into Pin 19 from 0mV _{p-p} , measure the amplitude at which color difference signals appear at Pin 3 and Pin 5, that is "V _{CW} ". 
26	Gate Pulse Width Variable Range	(1) : Input a 75% color bar (200mV _{p-p} at R ID) into Pin 13. (2) : Connecting the Pin 7 to GND via 1kΩ, observe the gate pulse at Pin 7. (3) : Measure the gate pulse widths when Pin 19 is opened, connected to V _{CC} /GND, that are "W _{GP} ", "W _{GPVCC} " and "W _{GPGND} ". 
27	Y DL Characteristics	(1) : Connect the Pin 7 to V _{CC} via 10kΩ. (2) : Connect the Pin 2 to GND. (3) : Measure the delay time between Pin 15 input and Pin 1 output, that is "t _{YDL} ".
28	Y Trap Characteristics	(1) : Input a sweep signal with sync. (1V _{p-p}). (2) : Connect the Pin 7 to V _{CC} via 10kΩ. (3) : Connect the Pin 2 to V _{CC} . (4) : Observing the frequency response at Pin 1, measure the frequency at which the attenuation is maximum, that is "f _{0Y5.5} " and measure the attenuation at f _{0Y5.5} against the one at 1MHz, that is "G _{Y5.5} ". 
29	Y Input Dynamic Range	(1) : Connect the Pin 7 to V _{CC} via 10kΩ. (2) : Increasing the amplitude of Y signal inputted into Pin 15, measure the amplitude at which the output signal from Pin 1 begins to be distorted, that is "DR _{YS} ". (3) : Open the Pin 7. (4) : Repeat (2), that is "DR _{YBW} ".
30	Y Gain	(1) : Input a 1V _{p-p} Y signal into Pin 15. (2) : Connect the Pin 7 to V _{CC} via 10kΩ. (3) : Measure the gain between Pin 15 input and Pin 1 output, that is "G _{YS} ". (3) : Open the Pin 7. (4) : Repeat (3), that is "G _{YBW} ".

TEST CIRCUIT



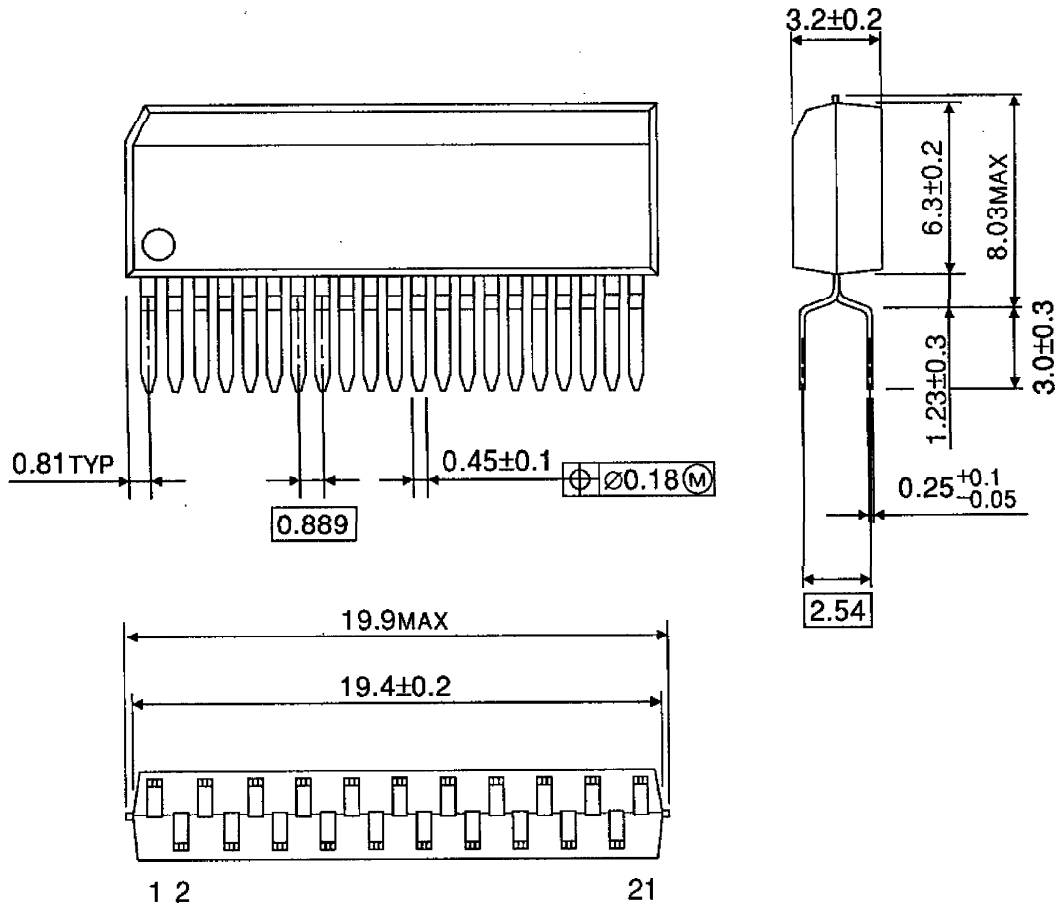
TA1275AZ - 21

APPLICATION CIRCUIT



OUTLINE DRAWING
SZIP21-P-0.89

Unit : mm



Weight : 1.0g (Typ.)