



MOTOROLA

MC145146-1

Advance Information

4-BIT DATA BUS INPUT PLL FREQUENCY SYNTHESIZER

The MC145146-1 is programmed by a 4-bit input, with strobe and address lines. The device features consist of a reference oscillator, 12-bit programmable reference divider, digital phase detector, 10-bit programmable divide-by-N counter, 7-bit divide-by-A counter and the necessary latch circuitry for accepting the 4-bit input data. When combined with a loop filter and VCO, the MC145146-1 can provide all the remaining functions for a PLL frequency synthesizer operating up to the device's frequency limit. For higher VCO frequency operation, a down mixer or a dual modulus prescaler can be used between the VCO and the MC145146-1.

The MC145146-1 offers improved performance over the MC145146. Modulus Control output drive has been increased and the ac characteristics have been improved. The input current requirements have also been modified.

● General Purpose Applications:

- CATV TV Tuning
- AM/FM Radios Scanning Receivers
- Two Way Radios Amateur Radio

● Low Power Consumption

- 3.0 to 9.0 V Supply Range
- Programmable Reference Divider for Values Between 3 and 4095
- On- or Off-Chip Reference Oscillator Operation
- Dual Modulus 4-Bit Data Bus Programming
- $\pm N$ Range = 3 to 1023, $\pm A$ Range = 0 to 127
- "Linearized" Digital Phase Detector Enhances Transfer Function Linearity

● Two Error Signal Options:

- Single Ended (Three State)
- Double Ended

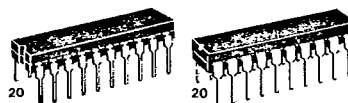
● Chip Complexity: 5692 FETs or 1423 Equivalent Gates

HIGH-PERFORMANCE

CMOS

LOW-POWER COMPLEMENTARY MOS
SILICON-GATE

**4-BIT DATA BUS INPUT PLL
FREQUENCY SYNTHESIZER**

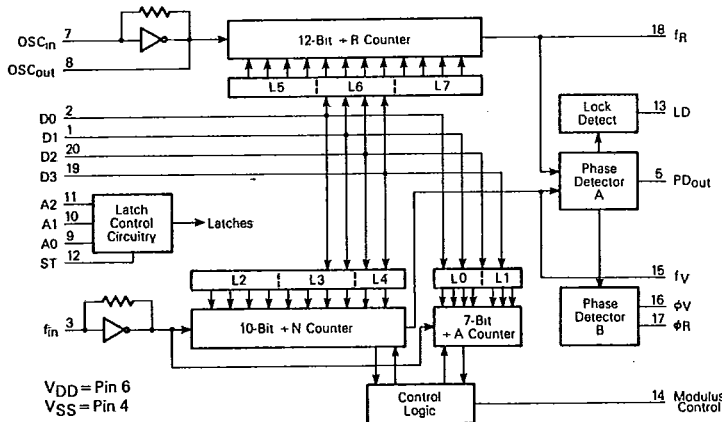


MC145146L1
CERAMIC PACKAGE
CASE 732

MC145146P1
PLASTIC PACKAGE
CASE 738

PIN ASSIGNMENT

D1	1	20	D2
D0	2	19	D3
f _{in}	3	18	f _R
VSS	4	17	φ _R
PD _{out}	5	16	φ _V
VDD	6	15	f _V
OSC _{in}	7	14	Modulus Control
OSC _{out}	8	13	LD
A0	9	12	ST
A1	10	11	A2



This document contains information on a new product. Specifications and information herein are subject to change without notice.

MC145146-1

MAXIMUM RATINGS* (Voltages Referenced to V_{SS})

Symbol	Parameter	Value	Unit
V _{DD}	DC Supply Voltage	-0.5 to +10	V
V _{in} , V _{out}	Input or Output Voltage (DC or Transient)	-0.5 to V _{DD} +0.5	V
I _{in} , I _{out}	Input or Output Current (DC or Transient), per Pin	±10	mA
I _{DD} , I _{SS}	Supply Current, V _{DD} or V _{SS} Pins	±30	mA
P _D	Power Dissipation, per Package†	500	mW
T _{stg}	Storage Temperature	-65 to +150	°C
T _L	Lead Temperature (8-Second Soldering)	260	°C

*Maximum Ratings are those values beyond which damage to the device may occur.

†Power Dissipation Temperature Derating:

Plastic "P" Package: -12 mW/°C from 65°C to 85°C

Ceramic "L" Package: No derating

This device contains circuitry to protect the inputs against damage due to high static voltages or electric fields; however, it is advised that normal precautions be taken to avoid applications of any voltage higher than maximum rated voltages to this high-impedance circuit. For proper operation it is recommended that V_{in} and V_{out} be constrained to the range V_{SS} ≤ (V_{in} or V_{out}) ≤ V_{DD}. Unused inputs must always be tied to an appropriate logic voltage level (e.g., either V_{SS} or V_{DD}).

ELECTRICAL CHARACTERISTICS (Voltages Referenced to V_{SS})

Characteristic	Symbol	V _{DD}	-40°C		25°C			85°C		Units	
			Min	Max	Min	Typ	Max	Min	Max		
Power Supply Voltage Range	V _{DD}	-	3	9	3	-	9	3	9	V	
Output Voltage V _{in} =0 V or V _{DD} I _{out} =0 μA	0 Level	V _{OL}	3	-	0.05	-	0.001	0.05	-	0.05	V
			5	-	0.05	-	0.001	0.05	-	0.05	
			9	-	0.05	-	0.001	0.05	-	0.05	
	1 Level	V _{OH}	3	2.95	-	2.95	2.999	-	2.95	-	
			5	4.95	-	4.95	4.999	-	4.95	-	
			9	8.95	-	8.95	8.999	-	8.95	-	
Input Voltage V _{out} =0.5 V or V _{DD} -0.5 V (All Outputs Except OSC _{out})	0 Level	V _{IL}	3	-	0.9	-	1.35	0.9	-	0.9	V
			5	-	1.5	-	2.25	1.5	-	1.5	
			9	-	2.7	-	4.05	2.7	-	2.7	
	1 Level	V _{IH}	3	2.1	-	2.1	1.65	-	2.1	-	
			5	3.5	-	3.5	2.75	-	3.5	-	
			9	6.3	-	6.3	4.95	-	6.3	-	
Output Current - Modulus Control V _{out} =2.7 V V _{out} =4.6 V V _{out} =8.5 V V _{out} =0.3 V V _{out} =0.4 V V _{out} =0.5 V	Source	I _{OH}	3	-0.60	-	-0.50	-1.5	-	-0.30	-	mA
			5	-0.90	-	-0.75	-2.0	-	-0.50	-	
			9	-1.50	-	-1.25	-3.2	-	-0.80	-	
	Sink	I _{OL}	3	1.30	-	1.10	5.0	-	0.66	-	
			5	1.90	-	1.70	6.0	-	1.08	-	
			9	3.80	-	3.30	10.0	-	2.10	-	
Output Current - Other Outputs V _{out} =2.7 V V _{out} =4.6 V V _{out} =8.5 V V _{out} =0.3 V V _{out} =0.4 V V _{out} =0.5 V	Source	I _{OH}	3	-0.44	-	-0.35	-1.0	-	-0.22	-	mA
			5	-0.64	-	-0.51	-1.2	-	-0.36	-	
			9	-1.30	-	-1.00	-2.0	-	-0.70	-	
	Sink	I _{OL}	3	0.44	-	0.35	1.0	-	0.22	-	
			5	0.64	-	0.51	1.2	-	0.36	-	
			9	1.30	-	1.00	2.0	-	0.70	-	
Input Current - Other Inputs	I _{in}	9	-	±0.3	-	±0.00001	±0.1	-	±1.0	μA	
Input Current - I _{in} , OSC _{in}	I _{in}	9	-	±50	-	±10	±25	-	±22	μA	
Input Capacitance	C _{in}	-	-	10	-	6	10	-	10	pF	
3-State Output Capacitance - PD _{out}	C _{out}	-	-	10	-	6	10	-	10	pF	
Quiescent Current V _{in} =0 V or V _{DD} I _{out} =0 μA	I _{DD}	3	-	800	-	200	800	-	1600	μA	
		5	-	1200	-	300	1200	-	2400		
		9	-	1600	-	400	1600	-	3200		
3-State Leakage Current - PD _{out} V _{out} =0 V or 9 V	I _{OZ}	9	-	±0.3	-	±0.0001	±0.1	-	±3.0	μA	



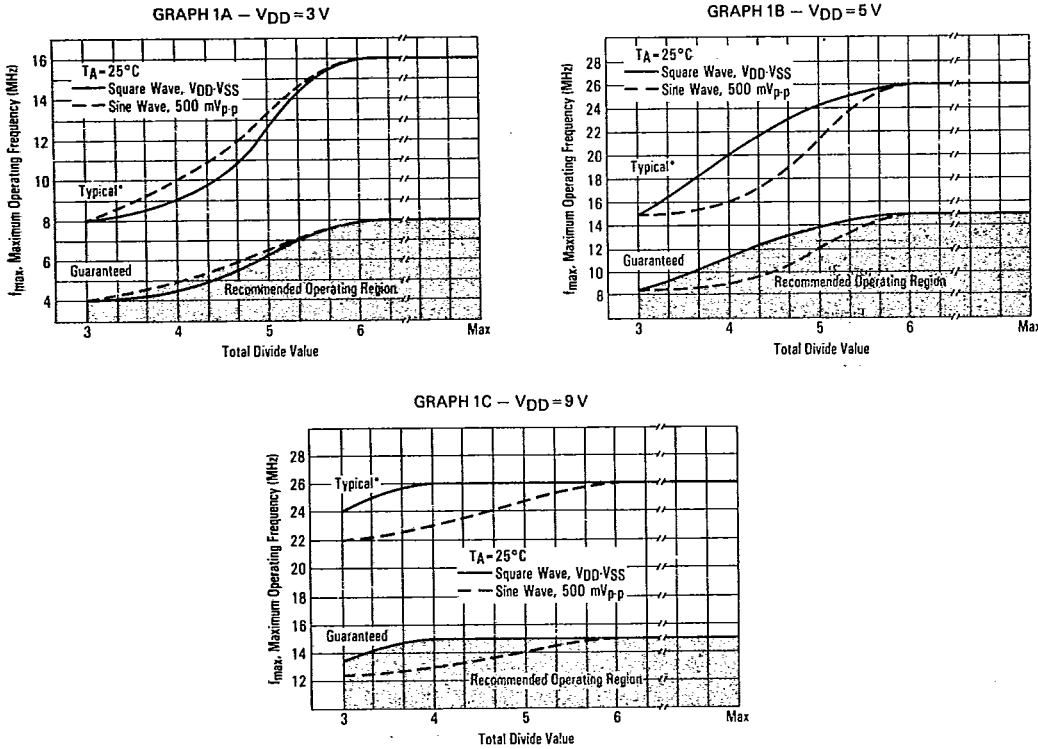
MC145146-1

SWITCHING CHARACTERISTICS (T_A = 25°C, C_L = 50 pF)

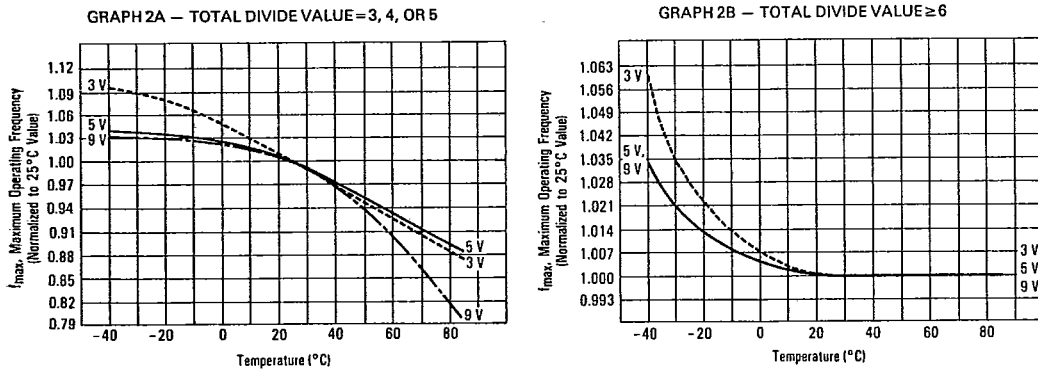
Characteristic	Symbol	V _{DD}	Min	Typ	Max	Units
Output Rise Time, Modulus Control (Figures 1 and 7)	t _{TLH}	3	—	50	115	ns
		5	—	30	60	
		9	—	20	40	
Output Fall Time, Modulus Control (Figures 1 and 7)	t _{THL}	3	—	25	60	ns
		5	—	17	34	
		9	—	15	30	
Output Rise and Fall Time, Other Outputs (Figure 1)	t _{TLH} , t _{THL}	3	—	60	140	ns
		5	—	40	80	
		9	—	30	60	
Propagation Delay Time f _{in} to Modulus Control (Figures 2 and 7)	t _{PLH} , t _{PHL}	3	—	55	125	ns
		5	—	40	80	
		9	—	25	50	
Setup Times Data to ST (Figure 3) Address to ST (Figure 3)	t _{su}	3	10	0	—	ns
		5	10	0	—	
		9	10	0	—	
		3	80	60	—	
		5	50	30	—	
		9	30	18	—	
Hold Times Address to ST (Figure 3) Data to Strobe (Figure 3)	t _h	3	35	15	—	ns
		5	25	10	—	
		9	20	10	—	
		3	25	10	—	
		5	20	10	—	
		9	15	10	—	
Output Pulse Width, φ _R , φ _V with f _r in Phase with f _v (Figures 4 and 7)	t _{wφ}	3	25	100	175	ns
		5	20	60	100	
		9	10	40	70	
Input Rise and Fall Times OSC _{in} , f _{in} , ST (Figure 5)	t _r , t _f	3	—	20	5	μs
		5	—	5	2	
		9	—	2	0.5	
Input Pulse Width ST, (Figure 6)	t _w	3	40	30	—	ns
		5	35	20	—	
		9	25	15	—	

MC145146-1

GRAPH 1 - OSC_{in} AND f_{in} MAXIMUM FREQUENCY VERSUS TOTAL DIVIDE VALUE



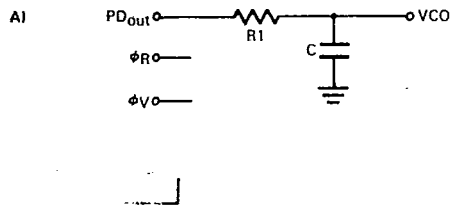
GRAPH 2 - OSC_{in} AND f_{in} MAXIMUM FREQUENCY VERSUS TEMPERATURE FOR SINE AND SQUARE WAVE INPUTS



*Data labelled "Typical" is not to be used for design purposes, but is intended as an indication of the IC's potential performance.

MC145146-1

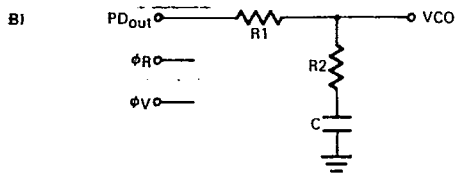
PHASE LOCKED LOOP — LOW-PASS FILTER DESIGN



$$\omega_N = \sqrt{\frac{K_\phi K_{VCO}}{NR1C}}$$

$$\zeta = 0.5\omega_N (N/K_\phi K_{VCO})$$

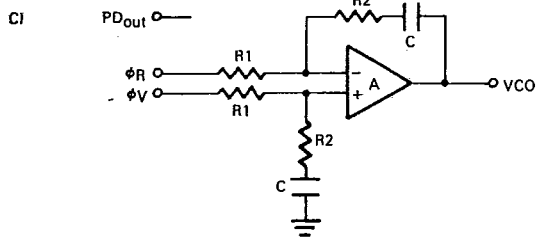
$$F(s) = \frac{1}{R1CS + 1}$$



$$\omega_N = \sqrt{\frac{K_\phi K_{VCO}}{NC(R1 + R2)C}}$$

$$\zeta = 0.5\omega_N (R2C + N/K_\phi K_{VCO})$$

$$F(s) = \frac{R2CS + 1}{S(R1C + R2C) + 1}$$



$$\omega_N = \sqrt{\frac{K_\phi K_{VCO}}{NC R1}}$$

$$\zeta = \frac{\omega_N R2C}{2}$$

Assuming gain A is very large, then:

$$F(s) = \frac{R2CS + 1}{R1CS}$$

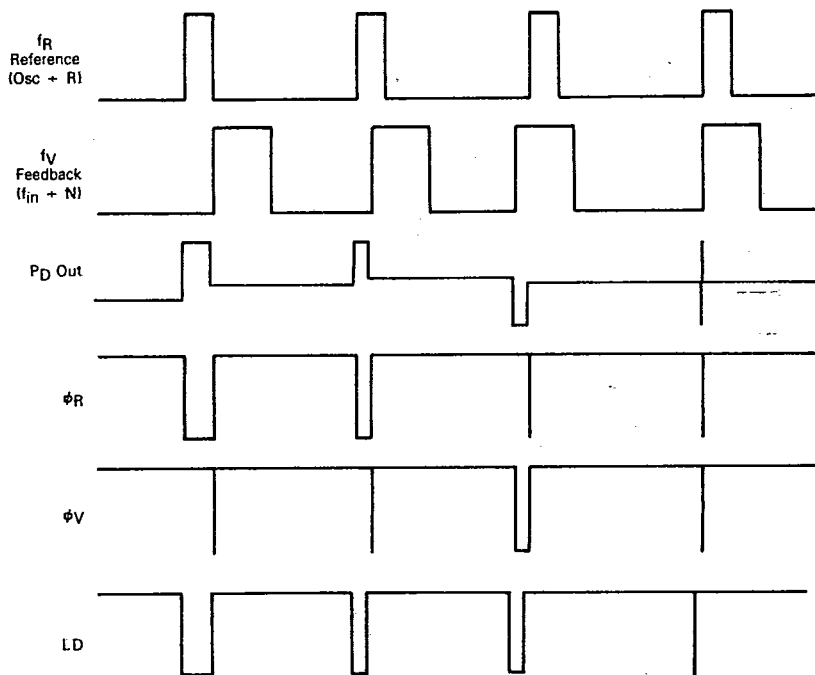
NOTE: Sometimes R1 is split into two series resistors each R1/2. A capacitor C_C is then placed from the midpoint to ground to further filter phi_V and phi_R. The value for C_C should be such that the corner frequency of this network does not significantly affect omega_N.

DEFINITIONS: N = Total Division Ratio in feedback loop
 K_{phi} = V_{DD}/4π for PD_{out}
 K_{phi} = V_{DD}/2π for phi_V and phi_R
 K_{VCO} = $\frac{2\pi\Delta f_{VCO}}{\Delta V_{VCO}}$

for a typical design omega_N ≈ (2π/10) f_r (at phase detector input)
 ζ ≈ 1

MC145146-1

FIGURE 8
PHASE DETECTOR OUTPUT WAVEFORMS



6

NOTE: The PD output state is equal to either VDD or VSS when active. When not active, the output is high impedance and the voltage at that pin is determined by the low pass filter capacitor.

MC145146-1

PIN DESCRIPTIONS

DATA INPUTS (Pins 2, 1, 20, 19) — Information at these inputs is transferred to the internal latches when the ST input is in the high state. Pin 19 (D3) is most significant.

f_{in} (Pin 3) — Input to +N portion of synthesizer. f_{in} is typically derived from loop VCO and is AC coupled into Pin 3. For larger amplitude signals (standard CMOS-logic levels), DC coupling may be used.

V_{SS} (Pin 4) — Circuit Ground.

PD_{out} (Pin 5) — Three-state output of phase detector for use as loop error signal.

Frequency f_v > f_R or f_v Leading: Negative Pulses.

Frequency f_v < f_R or f_v Lagging: Positive Pulses.

Frequency f_v = f_R and Phase Coincidence: High-Impedance State.

V_{DD} (Pin 6) — Positive power supply.

OSC_{in}, OSC_{out} (Pins 7 and 8) — These pins form an on-chip reference oscillator when connected to terminals of an external parallel resonant crystal. Frequency setting capacitors of appropriate value must be connected from OSC_{in} to ground and OSC_{out} to ground. OSC_{in} may also serve as input for an externally-generated reference signal. This signal will typically be AC coupled to OSC_{in}, but for larger amplitude signals (standard CMOS-logic levels) DC coupling may also be used. In the external reference mode, no connection is required to OSC_{out}.

ADDRESS INPUTS (Pins 9, 10, 11) — A0, A1 and A2 are used to define which latch receives the information on the data input lines. The addresses refer to the following latches:

A2	A1	A0	Selected	Function	D0	D1	D2	D3
0	0	0	Latch 0	+ A Bits	0	1	2	3
0	0	1	Latch 1	+ A Bits	4	5	6	—
0	1	0	Latch 2	+ N Bits	0	1	2	3
0	1	1	Latch 3	+ N Bits	4	5	6	7
1	0	0	Latch 4	+ N Bits	8	9	—	—
1	0	1	Latch 5	Reference Bits	0	1	2	3
1	1	0	Latch 6	Reference Bits	4	5	6	7
1	1	1	Latch 7	Reference Bits	8	9	10	11

ST (Pin 12) — When high, this input will enter the data that appears at the D0, D1, D2 and D3 inputs, and when low,

will latch that information. When high, any changes in the data information will be transferred into the latches.

LD (Pin 13) — Lock detector signal. High level when loop is locked (f_R, f_v of same phase and frequency). Pulses low when loop is out of lock.

MODULUS CONTROL (Pin 14) — Signal generated by the on-chip control logic circuitry for controlling an external dual modulus prescaler. The modulus control level will be low at the beginning of a count cycle and will remain low until the + A counter has counted down from its programmed value. At this time, modulus control goes high and remains high until the + N counter has counted the rest of the way down from its programmed value (N-A additional counts since both + N and + A are counting down during the first portion of the cycle). Modulus control is then set back low, the counters preset to their respective programmed values, and the above sequence repeated. This provides for a total programmable divide value (N_T) = N•P + A where P and P + 1 represent the dual modulus prescaler divide values respectively for high and low modulus control levels; N the number programmed into the + N counter and A the number programmed into the + A counter.

f_v (Pin 15) — This is the output of the + N counter that is internally connected to the phase detector input. With this output available, the + N counter can be used independently.

φ_v, φ_R (Pins 16 and 17) — These phase detector outputs can be combined externally for a loop error signal. A single-ended output is also available for this purpose (see PD_{out}).

If frequency f_v is greater than f_R or if the phase of f_v is leading, then error information is provided by φ_v pulsing low. φ_R remains essentially high.

If the frequency f_v is less than f_R or if the phase of f_v is lagging, then error information is provided by φ_R pulsing low. φ_v remains essentially high.

If the frequency of f_v = f_R and both are in phase, then both φ_v and φ_R remain high except for a small minimum time period when both pulse low in phase.

f_R (Pin 18) — This is the output of the + R counter that is internally connected to the phase detector input. With this output available, the + R counter can be used independently.

MC145146-1

SWITCHING WAVEFORMS

FIGURE 1

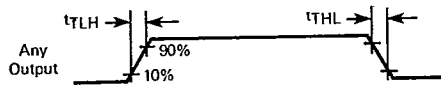


FIGURE 2

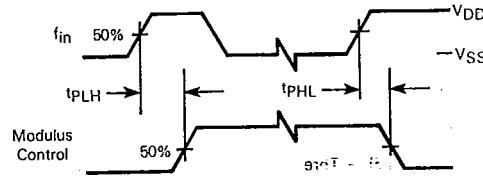


FIGURE 3

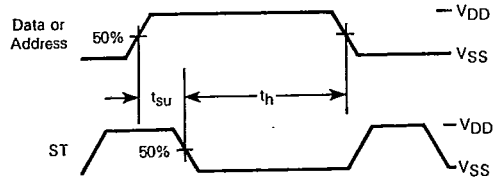


FIGURE 4

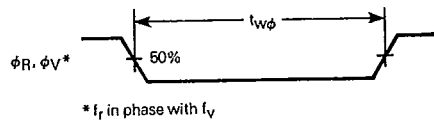


FIGURE 5

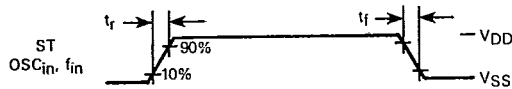


FIGURE 6

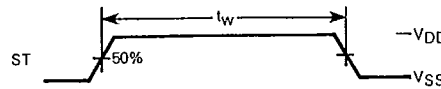
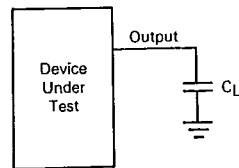


FIGURE 7 - TEST CIRCUIT



MC145146-1

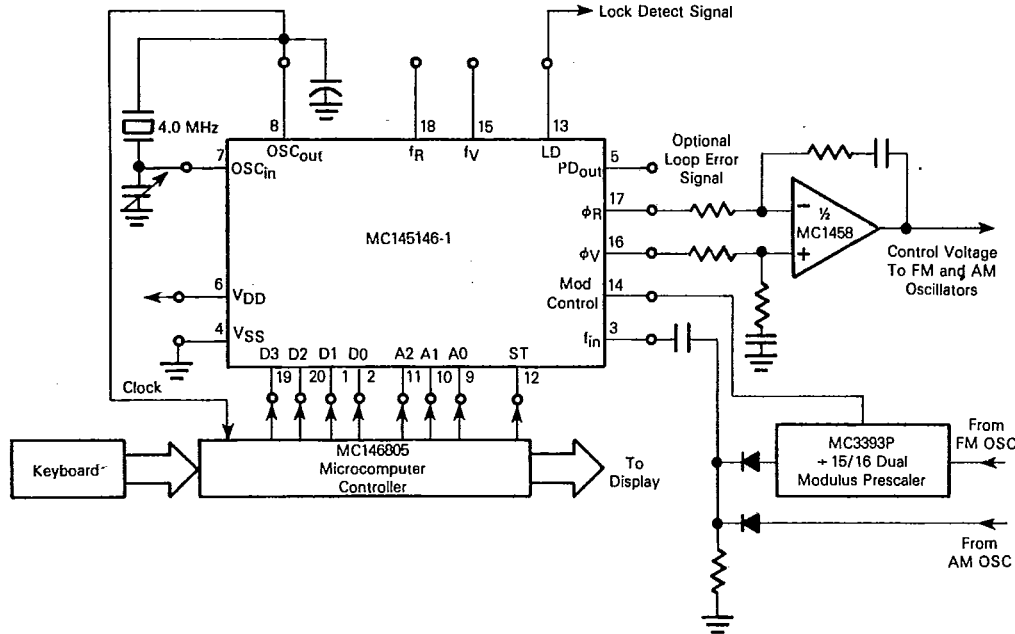
APPLICATIONS

The features of the MC145146-1 permit bus operation with a dedicated wire needed only for the strobe input. In a microprocessor controlled system this strobe input is accessed when the phase lock loop is addressed. The remaining data and address inputs will directly interface to the microprocessor's data and address buses.

The device architecture allows the user to establish any integer reference divide value between 3 and 4095. The wide

selection of +R values permits a high degree of flexibility in choosing the reference oscillator frequency. As a result the reference oscillator can frequently be chosen to serve multiple system functions such as a second local oscillator in a receiver design or a microprocessor system clock. Typical applications that take advantage of these MC145146-1 features including the dual modulus capability are shown in Figures 9, 10, and 11.

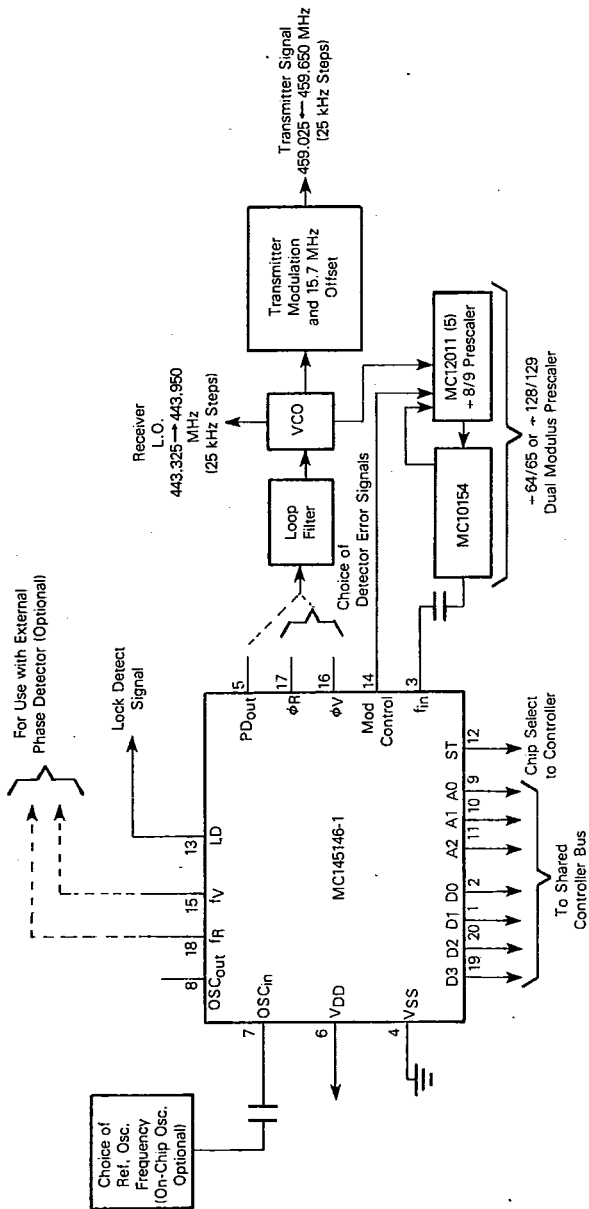
FIGURE 9 -- FM/AM BROADCAST RADIO SYNTHESIZER



- NOTES: 1) For FM: Channel spacing = $f_R = 25 \text{ kHz}$, $+R = 160$.
 For AM: Channel spacing = $f_R = 1 \text{ kHz}$, $+R = 4000$.
 2) Various channel spacings and reference oscillator frequencies can be chosen since any $+R$ value from 3 to 4095 can be established.
 3) Data and address lines are inactive and high impedance when pin 12 is low. Their interface with the controller may therefore be shared with other system functions if desired.

MC145146-1

FIGURE 10 — SYNTHESIZER FOR UHF MOBILE RADIO TELEPHONE CHANNELS DEMONSTRATES USE OF THE MC145146-1 IN MICROPROCESSOR/MICROCOMPUTER CONTROLLED SYSTEMS OPERATING TO SEVERAL HUNDRED MHz

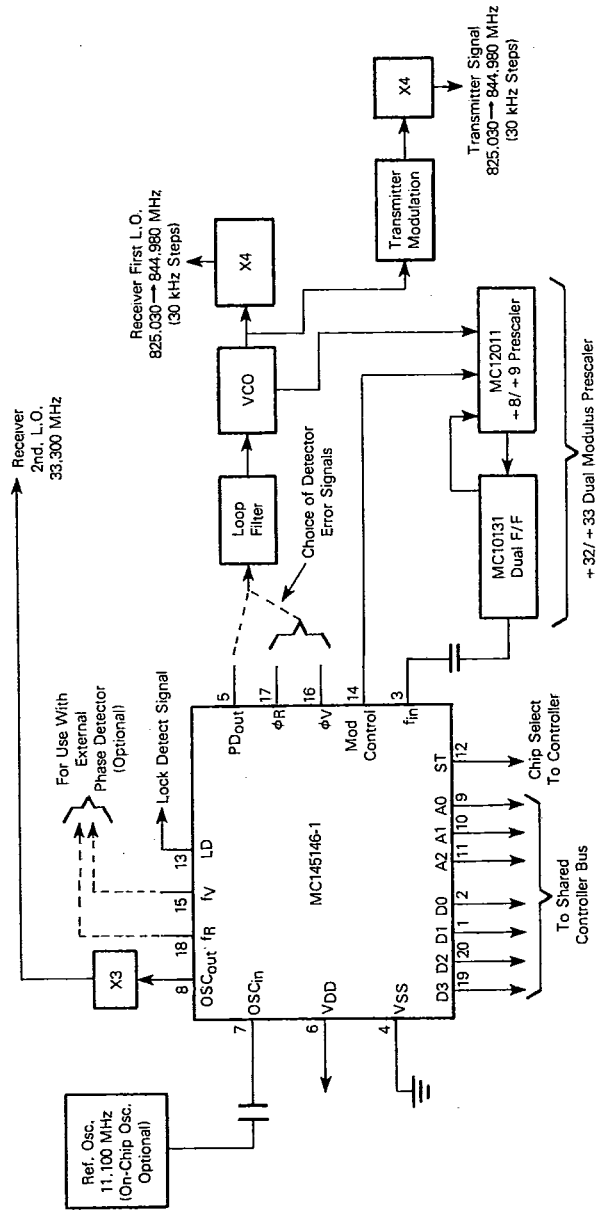


- NOTES: 1) Receiver I.F. = 10.7 MHz, low side injection.
 2) Duplex operation with 5 MHz receive/transmit separation.
 3) f_R = 25 kHz, + R chosen to correspond with desired reference oscillator frequency.
 4) Total = 17733 to 17758 = N*P + A; N = 277; A = 5 to 30 for P = 64.
 5) For faster response, use the MC10154 down counter.



MC145146-1

FIGURE 11 — 666 CHANNEL, COMPUTER CONTROLLED, MOBILE RADIO TELEPHONE SYNTHESIZER FOR 800 MHz CELLULAR RADIO SYSTEMS



- NOTES: 1) Receiver 1st. I.F. = 45 MHz, low side injection; Receiver 2nd. I.F. = 11.7 MHz, low side injection.
 2) Duplex operation with 45 MHz receive/transmit separation.
 3) f_r = 7.5 kHz, + R = 1480.
 4) Ntotal = N × 32 + A = 27501 to 28166; N = 859 to 880; A = 0 to 31.
 5) Only one implementation is shown. Various other configurations and dual modulus prescaling values to +128/ +129 are possible.

MC145146-1

CRYSTAL OSCILLATOR CONSIDERATIONS

The following options may be considered to provide a reference frequency to Motorola's CMOS frequency synthesizers. The most desirable is discussed first.

USE OF A HYBRID CRYSTAL OSCILLATOR

Commercially available temperature-compensated crystal oscillators (TXCOs) or crystal-controlled data clock oscillators provide very stable reference frequencies. An oscillator capable of sinking and sourcing 50 μ A at CMOS logic levels may be direct or dc coupled to OSC_{in}. In general, the highest frequency capability is obtained utilizing a direct-coupled square wave having a rail-to-rail (V_{DD} to V_{SS}) voltage swing. If the oscillator does not have CMOS logic levels on the outputs, capacitive or ac coupling to OSC_{in} may be used. OSC_{out}, an unbuffered output, should be left floating.

For additional information about TXCOs and data clock oscillators, please contact: Motorola Inc., Component Products, 2553 N. Edgington St., Franklin Park, IL 60131, phone (312) 451-1000.

DESIGN AN OFF-CHIP REFERENCE

The user may design an off-chip crystal oscillator using ICs specifically developed for crystal oscillator applications, such as the MC12060, MC12061, MC12560, or MC12561 MECL devices. The reference signal from the MECL device is ac coupled to OSC_{in}. For large amplitude signals (standard CMOS logic levels), dc coupling is used. OSC_{out}, an unbuffered output, should be left floating. In general, the highest frequency capability is obtained with a direct-coupled square wave having rail-to-rail voltage swing.

USE OF THE ON-CHIP OSCILLATOR CIRCUITRY

The on-chip amplifier (a digital inverter) along with an appropriate crystal may be used to provide a reference source frequency. A fundamental mode crystal, parallel resonant at the desired operating frequency, should be connected as shown in Figure A.

For V_{DD}=5 V, the crystal should be specified for a loading capacitance, C_L, which does not exceed 32 pF for frequencies to approximately 8 MHz, 20 pF for frequencies in

the area of 8 to 15 MHz, and 10 pF for higher frequencies. These are guidelines that provide a reasonable compromise between IC capacitance, drive capability, swamping variations in stray and IC input/output capacitance, and realistic C_L values. The shunt load capacitance, C_L, presented across the crystal can be estimated to be:

$$C_L = \frac{C_{in}C_{out}}{C_{in} + C_{out}} + C_a + C_O + \frac{C_1 \cdot C_2}{C_1 + C_2}$$

- where C_{in} = 5 pF (see Figure C)
- C_{out} = 6 pF (see Figure C)
- C_a = 5 pF (see Figure C)
- C_O = The crystal's holder capacitance (see Figure B)
- C₁ and C₂ = External capacitors (see Figure A)

The oscillator can be "trimmed" on-frequency by making a portion or all of C₁ variable. The crystal and associated components must be located as close as possible to the OSC_{in} and OSC_{out} pins to minimize distortion, stray capacitance, stray inductance, and startup stabilization time. In some cases, stray capacitance should be added to the values for C_{in} and C_{out}.

Power is dissipated in the effective series resistance of the crystal, R_e, in Figure B. The drive level specified by the crystal manufacturer is the maximum stress that a crystal can withstand without damage or excessive shift in frequency. R₁ in Figure A limits the drive level. The use of R₁ may not be necessary in some cases; i.e. R₁=0 ohms.

To verify that the maximum dc supply voltage does not overdrive the crystal, monitor the output frequency as a function of voltage at OSC_{out}. (Care should be taken to minimize loading.) The frequency should increase very slightly as the dc supply voltage is increased. An overdriven crystal will decrease in frequency or become unstable with an increase in supply voltage. The operating supply voltage must be reduced or R₁ must be increased in value if the overdriven condition exists. The user should note that the oscillator start-up time is proportional to the value of R₁.

Through the process of supplying crystals for use with CMOS inverters, many crystal manufacturers have developed expertise in CMOS oscillator design with crystals. Discussions with such manufacturers can prove very helpful. See Table A.

TABLE A - PARTIAL LIST OF CRYSTAL MANUFACTURERS

NAME	ADDRESS	PHONE
United States Crystal Corp.	3605 McCart St., Ft. Worth, TX 76110	(817) 921-3013
Crystek Crystal	1000 Crystal Dr., Ft. Myers, FL 33906	(813) 936-2109
Statek Corp.	512 N. Main St., Orange, CA 92668	(714) 639-7810

RECOMMENDED FOR READING

Technical Note TN-24, Statek Corp.

Technical Note TN-7, Statek Corp.

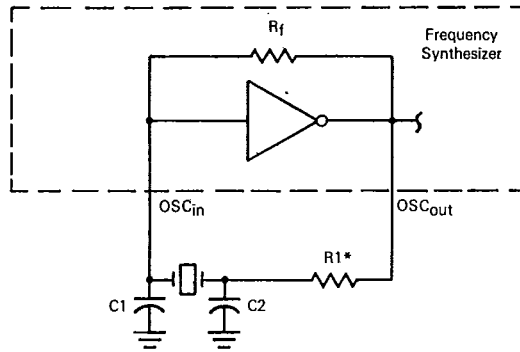
E. Hafner, "The Piezoelectric Crystal Unit - Definitions and Method of Measurement", *Proc. IEEE*, Vol. 57, No. 2, Feb., 1969.

D. Kemper, L. Rosine, "Quartz Crystals for Frequency Control", *Electro-Technology*, June, 1969.

P. J. Ottowitz, "A Guide to Crystal Selection", *Electronic Design*, May, 1966.

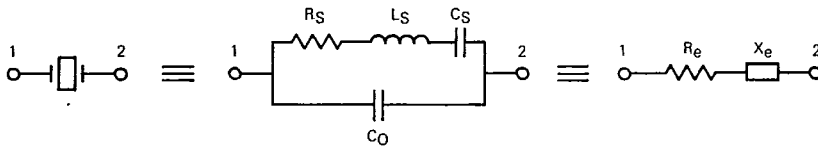
MC145146-1

FIGURE A — PIERCE CRYSTAL OSCILLATOR CIRCUIT



*May be deleted in certain cases. See text.

FIGURE B — EQUIVALENT CRYSTAL NETWORKS



Values are supplied by crystal manufacturer (parallel resonant crystal).

FIGURE C — PARASITIC CAPACITANCES OF THE AMPLIFIER

