

## 3.3 V ECL/PECL/HSTL/LVDS ÷2/4, ÷4/6 Clock Generation Chip

The MC100ES6039 is a low skew ÷2/4, ÷4/6 clock generation chip designed explicitly for low skew clock generation applications. The internal dividers are synchronous to each other, therefore, the common output edges are all precisely aligned. The device can be driven by either a differential or single-ended ECL or, if positive power supplies are used, LVPECL input signals. In addition, by using the  $V_{BB}$  output, a sinusoidal source can be AC coupled into the device.

The common enable ( $\bar{EN}$ ) is synchronous so that the internal dividers will only be enabled/disabled when the internal clock is already in the LOW state. This avoids any chance of generating a runt clock pulse on the internal clock when the device is enabled/disabled as can happen with an asynchronous control. The internal enable flip-flop is clocked on the falling edge of the input clock, therefore, all associated specification limits are referenced to the negative edge of the clock input.

Upon startup, the internal flip-flops will attain a random state; therefore, for systems which utilize multiple ES6039s, the master reset (MR) input must be asserted to ensure synchronization. For systems which only use one ES6039, the MR pin need not be exercised as the internal divider design ensures synchronization between the ÷2/4 and the ÷4/6 outputs of a single device. All  $V_{CC}$  and  $V_{EE}$  pins must be externally connected to power supply to guarantee proper operation.

The 100ES Series contains temperature compensation.

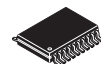
### Features

- Maximum Frequency >1.0 GHz Typical
- 50 ps Output-to-Output Skew
- PECL Mode Operating Range:  $V_{CC} = 3.135\text{ V to }3.8\text{ V}$  with  $V_{EE} = 0\text{ V}$
- ECL Mode Operating Range:  $V_{CC} = 0\text{ V}$  with  $V_{EE} = -3.135\text{ V to }-3.8\text{ V}$
- Open Input Default State
- Synchronous Enable/Disable
- Master Reset for Synchronization of Multiple Chips
- $V_{BB}$  Output
- LVDS and HSTL Input Compatible
- 20-Lead Pb-Free Package Available

## MC100ES6039



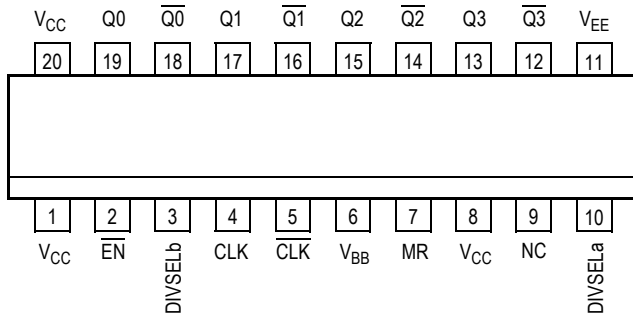
**DW SUFFIX**  
**20-LEAD SOIC PACKAGE**  
**CASE 751D-07**



**EG SUFFIX**  
**20-LEAD TSSOP PACKAGE**  
**Pb-FREE PACKAGE**  
**CASE 751D-07**

### ORDERING INFORMATION

Device	Package
MC100ES6039DW	SO-20
MC100ES6039DWR2	SO-20
MC100ES6039EG	SO-20 (Pb-Free)
MC100ES6039EGR2	SO-20 (Pb-Free)



Warning: All  $V_{CC}$  and  $V_{EE}$  pins must be externally connected to Power Supply to guarantee proper operation.

Figure 1. 20-Lead Pinout (Top View)

Table 1. Pin Description

Pin	Function
CLK <sup>(1)</sup> , $\overline{\text{CLK}}$ <sup>(1)</sup>	ECL Diff Clock Inputs
$\overline{\text{EN}}$ <sup>(1)</sup>	ECL Sync Enable
MR <sup>(1)</sup>	ECL Master Reset
$V_{BB}$	ECL Reference Output
Q0, Q1, $\overline{\text{Q0}}$ , $\overline{\text{Q1}}$	ECL Diff $\div 2/4$ Outputs
Q2, Q3, $\overline{\text{Q2}}$ , $\overline{\text{Q3}}$	ECL Diff $\div 4/6$ Outputs
DIVSELa <sup>(1)</sup>	ECL Freq. Select Input $\div 2/4$
DIVSELb <sup>(1)</sup>	ECL Freq. Select Input $\div 4/6$
$V_{CC}$	ECL Positive Supply
$V_{EE}$	ECL Negative Supply
NC	No Connect

1. Pins will default low when left open.

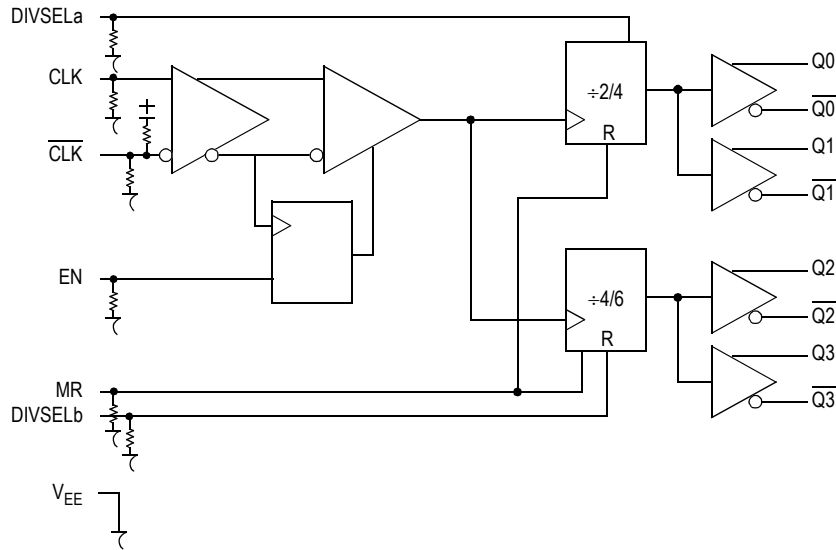


Figure 2. Logic Diagram

Table 2. Function Tables

CLK	EN	MR	Function
Z	L	L	Divide
ZZ	H	L	Hold Q0:3
X	X	H	Reset Q0:3

X = Don't Care  
 Z = Low-to-High Transition  
 ZZ = High-to-Low Transition

DIVSELa	Q0:1 Outputs
L	Divide by 2
H	Divide by 4
DIVSELb	Q2:3 Outputs
L	Divide by 4
H	Divide by 6

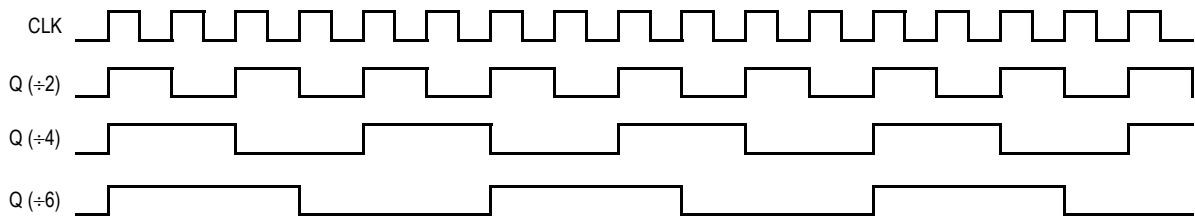


Figure 3. Timing Diagram

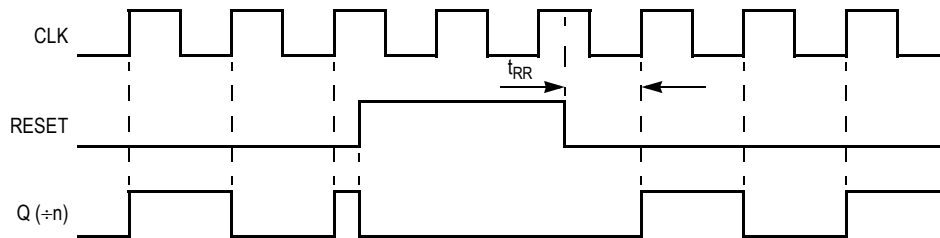


Figure 4. Timing Diagram

Table 3. Attributes

Characteristics		Value
Internal Input Pulldown Resistor		75 k $\Omega$
Internal Input Pullup Resistor		75 k $\Omega$
ESD Protection	Human Body Model	> 4 kV
	Machine Model	> 200 V
	Charged Device Model	> 2 kV

Meets or exceeds JEDEC Spec EIA/JESD78 IC Latchup Test

**Table 4. Maximum Ratings<sup>(1)</sup>**

Symbol	Parameter	Condition 1	Condition 2	Rating	Units
V <sub>CC</sub>	PECL Mode Power Supply	V <sub>EE</sub> = 0 V		3.9	V
V <sub>EE</sub>	ECL Mode Power Supply	V <sub>CC</sub> = 0 V		-3.9	V
V <sub>I</sub>	PECL Mode Input Voltage ECL Mode Input Voltage	V <sub>EE</sub> = 0 V V <sub>CC</sub> = 0 V	V <sub>I</sub> ≤ V <sub>CC</sub> V <sub>I</sub> ≥ V <sub>EE</sub>	3.9 -3.9	V V
I <sub>out</sub>	Output Current	Continuous Surge		50 100	mA mA
I <sub>BB</sub>	V <sub>BB</sub> Sink/Source			± 0.5	mA
T <sub>A</sub>	Operating Temperature Range			-40 to +85	°C
T <sub>stg</sub>	Storage Temperature Range			-65 to +150	°C
θ <sub>JA</sub>	Thermal Resistance (Junction-to-Ambient)	0 LFPM 500 LFPM	20 SOIC 20 SOIC	TBD TBD	°C/W °C/W

1. Maximum Ratings are those values beyond which device damage may occur.

**Table 5. DC Characteristics (V<sub>CC</sub> = 0 V, V<sub>EE</sub> = -3.8 V to -3.135 V or V<sub>CC</sub> = 3.135 V to 3.8 V, V<sub>EE</sub> = 0 V)<sup>(1)</sup>**

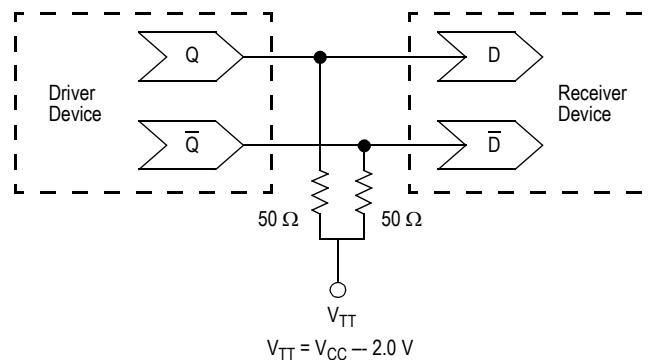
Symbol	Characteristic	-40°C			0°C to 85°C			Unit
		Min	Typ	Max	Min	Typ	Max	
I <sub>EE</sub>	Power Supply Current		35	60		35	60	mA
V <sub>OH</sub>	Output HIGH Voltage <sup>(2)</sup>	V <sub>CC</sub> -1150	V <sub>CC</sub> -1020	V <sub>CC</sub> -800	V <sub>CC</sub> -1200	V <sub>CC</sub> -970	V <sub>CC</sub> -750	mV
V <sub>OL</sub>	Output LOW Voltage <sup>(2)</sup>	V <sub>CC</sub> -1950	V <sub>CC</sub> -1620	V <sub>CC</sub> -1250	V <sub>CC</sub> -2000	V <sub>CC</sub> -1680	V <sub>CC</sub> -1300	mV
V <sub>IH</sub>	Input HIGH Voltage (Single-Ended)	V <sub>CC</sub> -1165		V <sub>CC</sub> -880	V <sub>CC</sub> -1165		V <sub>CC</sub> -880	mV
V <sub>IL</sub>	Input LOW Voltage (Single-Ended)	V <sub>CC</sub> -1810		V <sub>CC</sub> -1475	V <sub>CC</sub> -1810		V <sub>CC</sub> -1475	mV
V <sub>BB</sub>	Output Reference Voltage	V <sub>CC</sub> -1400		V <sub>CC</sub> -1200	V <sub>CC</sub> -1400		V <sub>CC</sub> -1200	mV
V <sub>PP</sub>	Differential Input Voltage <sup>(3)</sup>	0.12		1.4	0.12		1.4	V
V <sub>CMR</sub>	Differential Cross Point Voltage <sup>(4)</sup>	V <sub>EE</sub> +0.2		V <sub>CC</sub> -0.7	V <sub>EE</sub> +0.2		V <sub>CC</sub> -0.7	V
I <sub>IH</sub>	Input HIGH Current			150			150	μA
I <sub>IL</sub>	Input LOW Current	0.5			0.5			μA

- MC100ES6139 circuits are designed to meet the DC specifications shown in the above table after thermal equilibrium has been established. The circuit is in a test socket or mounted on a printed circuit board and transverse airflow greater than 500 lpm is maintained.
- All loading with 50 Ω to V<sub>CC</sub>-2.0 volts.
- V<sub>PP</sub> (DC) is the minimum differential input voltage swing required to maintain device functionality.
- V<sub>CMR</sub> (DC) is the crosspoint of the differential input signal. Functional operation is obtained when the crosspoint is within the V<sub>CMR</sub> (DC) range and the input swing lies within the V<sub>PP</sub> (DC) specification.

**Table 6. AC Characteristics** ( $V_{CC} = 0\text{ V}$ ,  $V_{EE} = -3.8\text{ V}$  to  $-3.135\text{ V}$  or  $V_{CC} = 3.135\text{ V}$  to  $3.8\text{ V}$ ,  $V_{EE} = 0\text{ V}$ )<sup>(1)</sup>

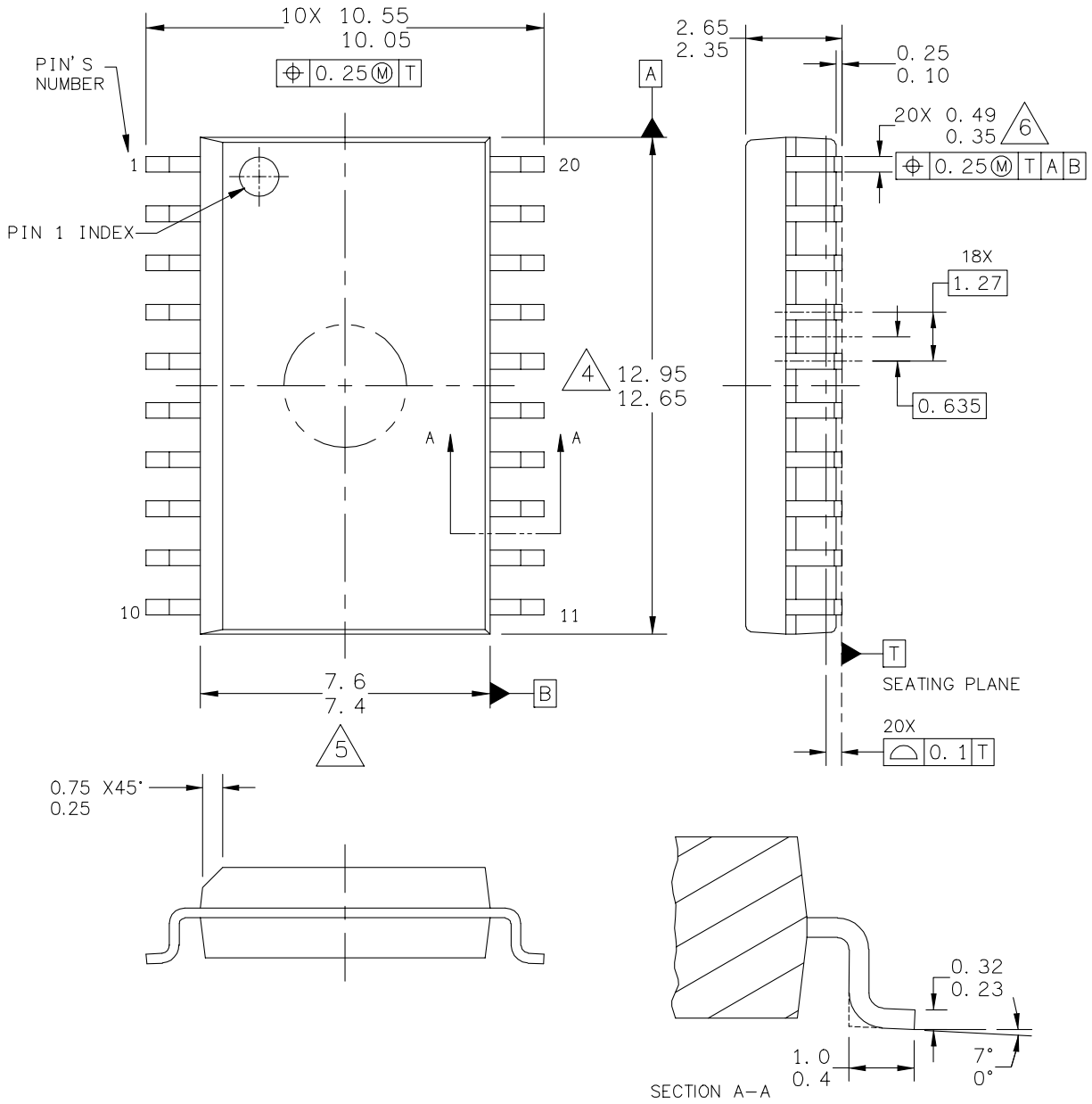
Symbol	Characteristic	-40°C			25°C			85°C			Unit
		Min	Typ	Max	Min	Typ	Max	Min	Typ	Max	
$f_{max}$	Maximum Frequency		> 1			> 1			> 1		GHz
$t_{PLH}$ , $t_{PHL}$	Propagation Delay CLK, Q (Diff) MR, Q	575 500		875 850	575 500		875 850	575 500		875 850	ps ps
$t_{RR}$	Reset Recovery	200	100		200	100		200	100		ps
$t_s$	Setup Time $\overline{EN}$ , CLK DIVSEL, CLK	200	120		200	120		200	120		ps
		400	180		400	180		400	180		ps
$t_h$	Hold Time $\overline{CLK}$ , $\overline{EN}$ CLK, DIVSEL	100	50		100	50		100	50		ps
		200	140		200	140		200	140		ps
$t_{PW}$	Minimum Pulse Width MR	550	450		550	450		550	450		ps
$t_{SKEW}$	Within Device Skew Q, $\overline{Q}$ Q, $\overline{Q}$ @ Same Frequency Device-to-Device Skew <sup>(2)</sup>			80			80			80	ps
				50			50			50	ps
				300			300			300	ps
$t_{JITTER}$	Cycle-to-Cycle Jitter (RMS 1 $\sigma$ )			1			1			1	ps
$V_{PP}$	Input Voltage Swing (Differential)	150		1400	150		1400	150		1400	mV
$V_{CMR}$	Differential Cross Point Voltage	$V_{EE}+0.2$		$V_{CC}-1.1$	$V_{EE}+0.2$		$V_{CC}-1.1$	$V_{EE}+0.2$		$V_{CC}-1.1$	V
$t_r$ $t_f$	Output Rise/Fall Times (20% – 80%) Q, $\overline{Q}$	50		300	50		300	50		300	ps

1. Measured using a 750 mV source, 50% duty cycle clock source. All loading with  $50\ \Omega$  to  $V_{CC} - 2.0\text{ V}$ .
2. Skew is measured between outputs under identical transitions. Duty cycle skew is defined only for differential operation when the delays are measured from the cross point of the inputs to the cross point of the outputs.



**Figure 5. Typical Termination for Output Driver and Device Evaluation**

# PACKAGE DIMENSIONS



© FREESCALE SEMICONDUCTOR, INC. ALL RIGHTS RESERVED.	MECHANICAL OUTLINE	PRINT VERSION NOT TO SCALE	
TITLE: 20LD SOIC W/B, 1.27 PITCH CASE-OUTLINE	DOCUMENT NO: 98ASB42343B	REV: J	
	CASE NUMBER: 751D-07	23 MAR 2005	
	STANDARD: JEDEC MS-013AC		

PAGE 1 OF 2

## CASE 751D-07 ISSUE J 20-LEAD SOIC PACKAGE

## PACKAGE DIMENSIONS

NOTES:

1. DIMENSIONS ARE IN MILLIMETERS.
  2. DIMENSIONING AND TOLERANCING PER ASME Y14.5M-1994.
  3. DATUMS A AND B TO BE DETERMINED AT THE PLANE WHERE THE BOTTOM OF THE LEADS EXIT THE PLASTIC BODY.
4. THIS DIMENSION DOES NOT INCLUDE MOLD FLASH, PROTRUSION OR GATE BURRS. MOLD FLASH, PROTRUSION OR GATE BURRS SHALL NOT EXCEED 0.15 MM PER SIDE. THIS DIMENSION IS DETERMINED AT THE PLANE WHERE THE BOTTOM OF THE LEADS EXIT THE PLASTIC BODY.
5. THIS DIMENSION DOES NOT INCLUDE INTER-LEAD FLASH OR PROTRUSIONS. INTER-LEAD FLASH AND PROTRUSIONS SHALL NOT EXCEED 0.25 MM PER SIDE. THIS DIMENSION IS DETERMINED AT THE PLANE WHERE THE BOTTOM OF THE LEADS EXIT THE PLASTIC BODY.
6. THIS DIMENSION DOES NOT INCLUDE DAMBAR PROTRUSION. ALLOWABLE DAMBAR PROTRUSION SHALL NOT CAUSE THE LEAD WIDTH TO EXCEED 0.62 mm.

© FREESCALE SEMICONDUCTOR, INC. ALL RIGHTS RESERVED.	MECHANICAL OUTLINE	PRINT VERSION NOT TO SCALE	
TITLE: 20LD SOIC W/B, 1.27 PITCH, CASE OUTLINE	DOCUMENT NO: 98ASB42343B	REV: J	
	CASE NUMBER: 751D-07	23 MAR 2005	
	STANDARD: JEDEC MS-013AC		

PAGE 2 OF 2

**CASE 751D-07  
ISSUE J  
20-LEAD SOIC PACKAGE**

**MC100ES6039**

## **How to Reach Us:**

### **Home Page:**

[www.freescale.com](http://www.freescale.com)

### **E-mail:**

[support@freescale.com](mailto:support@freescale.com)

### **USA/Europe or Locations Not Listed:**

Freescale Semiconductor  
Technical Information Center, CH370  
1300 N. Alma School Road  
Chandler, Arizona 85224  
+1-800-521-6274 or +1-480-768-2130  
[support@freescale.com](mailto:support@freescale.com)

### **Europe, Middle East, and Africa:**

Freescale Halbleiter Deutschland GmbH  
Technical Information Center  
Schatzbogen 7  
81829 Muenchen, Germany  
+44 1296 380 456 (English)  
+46 8 52200080 (English)  
+49 89 92103 559 (German)  
+33 1 69 35 48 48 (French)  
[support@freescale.com](mailto:support@freescale.com)

### **Japan:**

Freescale Semiconductor Japan Ltd.  
Headquarters  
ARCO Tower 15F  
1-8-1, Shimo-Meguro, Meguro-ku,  
Tokyo 153-0064  
Japan  
0120 191014 or +81 3 5437 9125  
[support.japan@freescale.com](mailto:support.japan@freescale.com)

### **Asia/Pacific:**

Freescale Semiconductor Hong Kong Ltd.  
Technical Information Center  
2 Dai King Street  
Tai Po Industrial Estate  
Tai Po, N.T., Hong Kong  
+800 2666 8080  
[support.asia@freescale.com](mailto:support.asia@freescale.com)

### **For Literature Requests Only:**

Freescale Semiconductor Literature Distribution Center  
P.O. Box 5405  
Denver, Colorado 80217  
1-800-441-2447 or 303-675-2140  
Fax: 303-675-2150  
[LDCForFreescaleSemiconductor@hibbertgroup.com](mailto:LDCForFreescaleSemiconductor@hibbertgroup.com)

Information in this document is provided solely to enable system and software implementers to use Freescale Semiconductor products. There are no express or implied copyright licenses granted hereunder to design or fabricate any integrated circuits or integrated circuits based on the information in this document.

Freescale Semiconductor reserves the right to make changes without further notice to any products herein. Freescale Semiconductor makes no warranty, representation or guarantee regarding the suitability of its products for any particular purpose, nor does Freescale Semiconductor assume any liability arising out of the application or use of any product or circuit, and specifically disclaims any and all liability, including without limitation consequential or incidental damages. "Typical" parameters that may be provided in Freescale Semiconductor data sheets and/or specifications can and do vary in different applications and actual performance may vary over time. All operating parameters, including "Typicals", must be validated for each customer application by customer's technical experts. Freescale Semiconductor does not convey any license under its patent rights nor the rights of others. Freescale Semiconductor products are not designed, intended, or authorized for use as components in systems intended for surgical implant into the body, or other applications intended to support or sustain life, or for any other application in which the failure of the Freescale Semiconductor product could create a situation where personal injury or death may occur. Should Buyer purchase or use Freescale Semiconductor products for any such unintended or unauthorized application, Buyer shall indemnify and hold Freescale Semiconductor and its officers, employees, subsidiaries, affiliates, and distributors harmless against all claims, costs, damages, and expenses, and reasonable attorney fees arising out of, directly or indirectly, any claim of personal injury or death associated with such unintended or unauthorized use, even if such claim alleges that Freescale Semiconductor was negligent regarding the design or manufacture of the part.

Freescale™ and the Freescale logo are trademarks of Freescale Semiconductor, Inc. All other product or service names are the property of their respective owners.

© Freescale Semiconductor, Inc. 2005. All rights reserved.

