

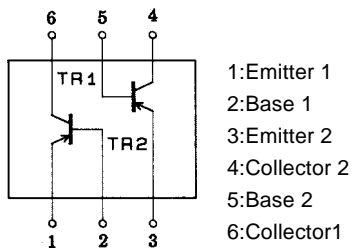
SANYO**FC151**

PNP Epitaxial Planar Silicon Composite Transistor High-Frequency Amp, Current Mirror Circuit Applications

Features

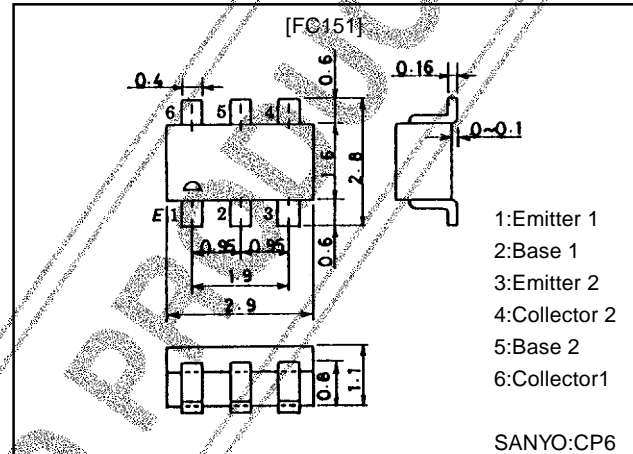
- Composite type with 2 transistors contained in the CP package currently in use, improving the mounting efficiency greatly.
- The FC151 is formed with two chips, being equivalent to the 2SA1669, placed in one package.
- Excellent in thermal equilibrium and pair capability.

Electrical Connection



Package Dimensions

unit:mm
2103A



Specifications

Absolute Maximum Ratings at $T_a = 25^\circ\text{C}$

Parameter	Symbol	Conditions	Ratings	Unit
Collector-to-Base Voltage	V_{CB0}		-20	V
Collector-to-Emitter Voltage	V_{CEO}		-15	V
Emitter-to-Base Voltage	V_{EBO}		-3	V
Collector Current	I_C		-50	mA
Collector Dissipation	P_C	1 unit	200	mW
Total Dissipation	P_T		300	mW
Junction Temperature	T_J		150	$^\circ\text{C}$
Storage Temperature	T_{stg}		-55 to +150	$^\circ\text{C}$

Electrical Characteristics at $T_a = 25^\circ\text{C}$

Parameter	Symbol	Conditions	Ratings			Unit
			min	typ	max	
Collector Cutoff Current	I_{CB0}	$V_{CB}=-15\text{V}, I_E=0$			-0.1	μA
Emitter Cutoff Current	I_{E0}	$V_{EB}=-2\text{V}, I_C=0$			-0.1	μA
DC Current Gain	h_{FE}	$V_{CE}=-10\text{V}, I_C=-5\text{mA}$	20		100	
DC Current Gain Ratio	$h_{FE}(\text{small/large})$	$V_{CE}=-10\text{V}, I_C=-5\text{mA}$	0.7	0.93		
B-E Voltage Difference	$V_{BE}(\text{large-small})$	$V_{CE}=-10\text{V}, I_C=-5\text{mA}$		3.0	15	mV
Gain-Bandwidth Product	f_T	$V_{CE}=-10\text{V}, I_C=-5\text{mA}$	1.5	3.0		GHz
Output Capacitance	C_{ob}	$V_{CB}=-10\text{V}, f=1\text{MHz}$		1.0	1.5	pF
Forward Transfer Gain	$ S_{21e} $	$V_{CE}=-10\text{V}, I_C=-5\text{mA}, f=0.9\text{GHz}$	5			dB
Noise Figure	NF	$V_{CE}=-10\text{V}, I_C=-3\text{mA}, f=0.9\text{GHz}$		2.0		dB

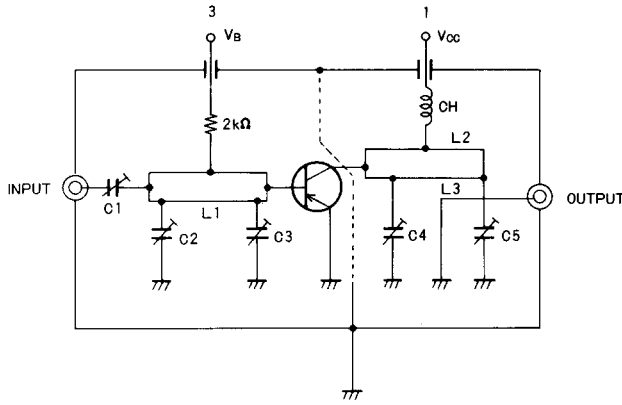
Note: The specifications shown above are for each individual transistor. However, the specifications of $h_{FE}(\text{small/large})$ and $h_{FE}(\text{large-small})$ are for pair capability

Marking: 151

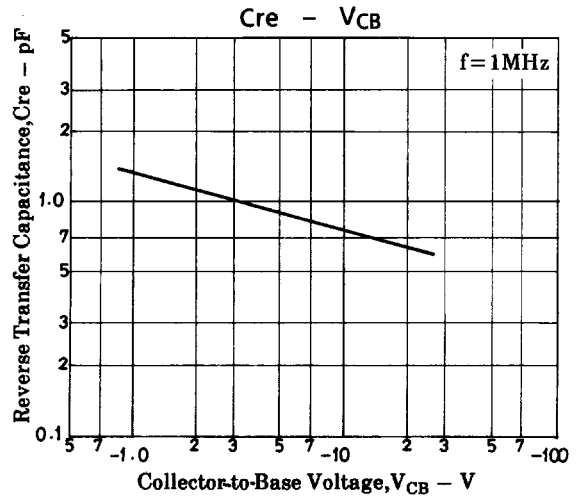
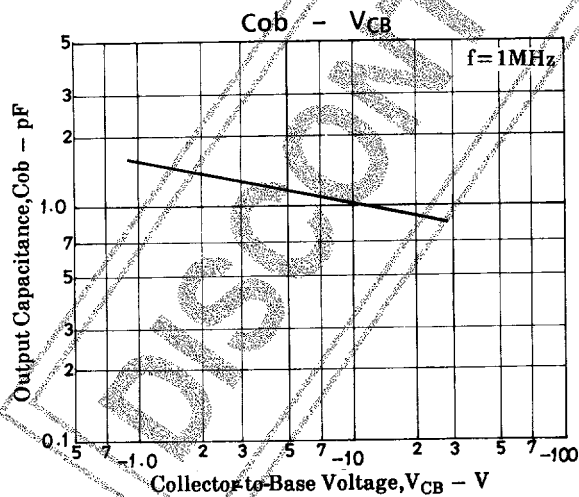
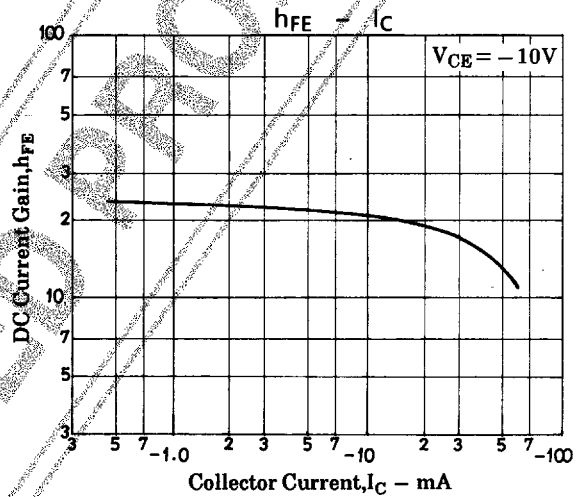
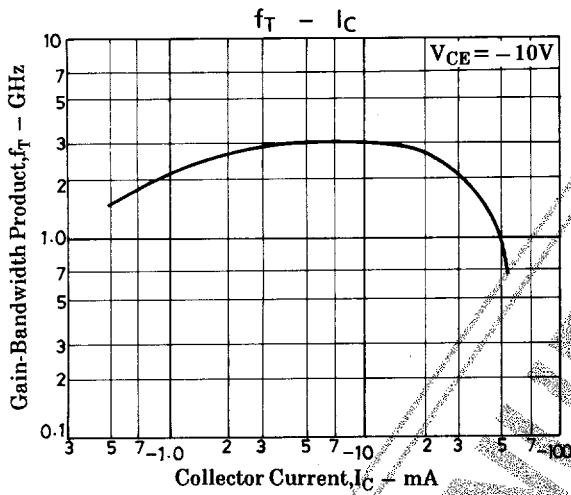
SANYO Electric Co., Ltd. Semiconductor Business Headquarters
TOKYO OFFICE Tokyo Bldg., 1-10, 1 Chome, Ueno, Taito-ku, TOKYO, 110-8534 JAPAN

FC151

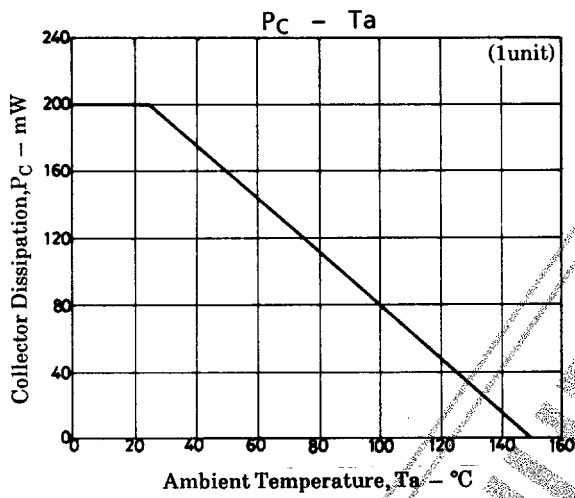
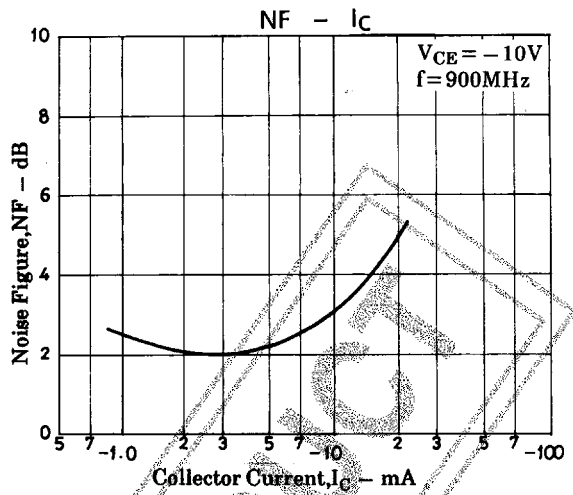
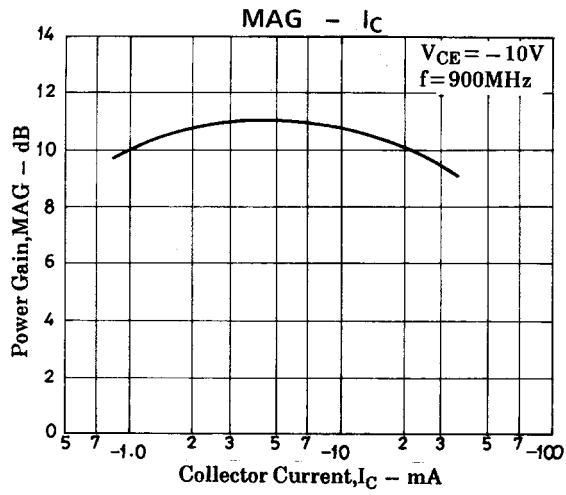
NF Test Circuit



900MHz	
C1	~5pF
C2	~10pF
C3	~10pF
C4	~10pF
C5	~10pF
L1	W = 1.5mm, l = 25mm strip line
L2	W = 4mm, l = 25mm strip line
L3	0.5φ, l = 40mm
CH	2t bead core

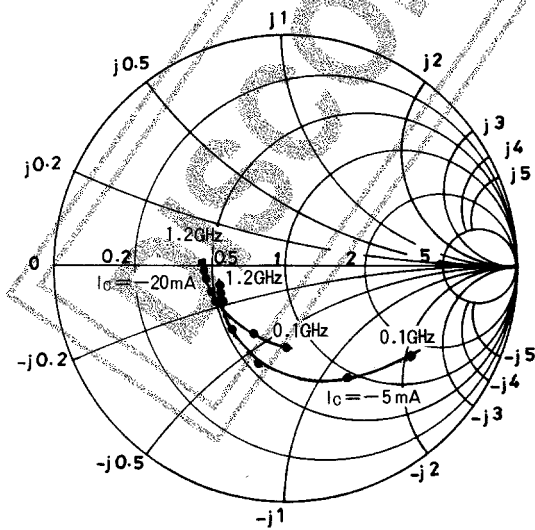


FC151



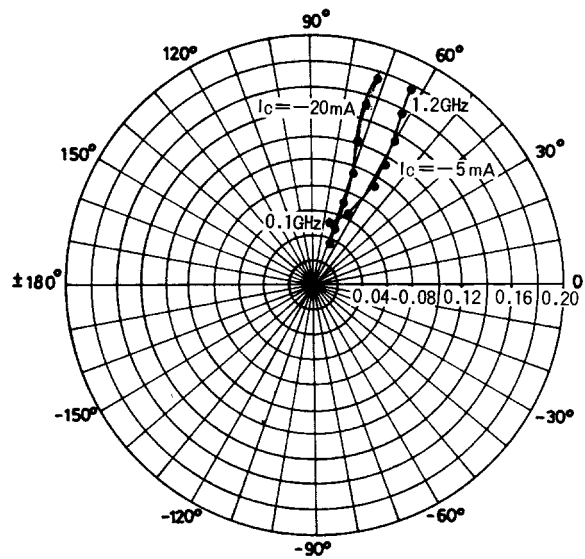
S Parameter

S11e: $V_{CE} = -10V$
 $f = 100MHz, 200$ to $1200MHz$ (200MHz step)



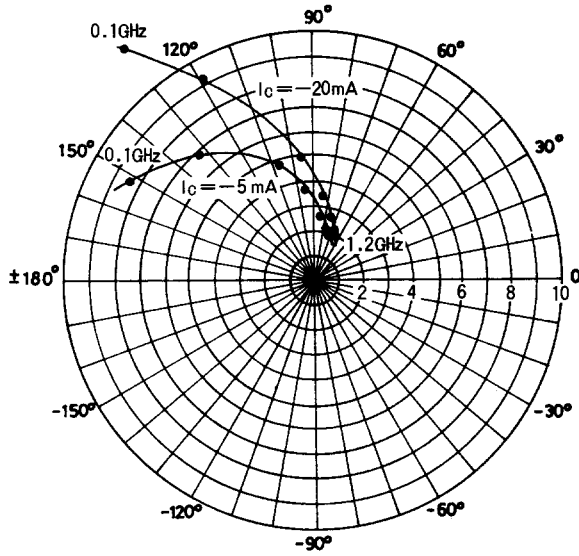
S12e: $V_{CE} = -10V$

$f = 100MHz, 200$ to $1200MHz$ (200MHz step)

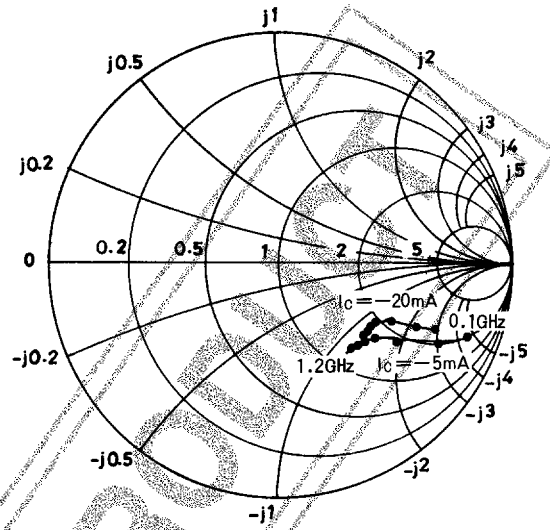


FC151

S21e : $V_{CE} = -10V$
 $f = 100MHz, 200$ to $1200MHz$ (200MHz step)



S22e : $V_{CE} = -10V$
 $f = 100MHz, 200$ to $1200MHz$ (200MHz step)



S Parameter (Common-emitter)

$V_{CE} = -10V, I_C = -5mA, Z_0 = 50\Omega$

Freq (MHz)	$ S_{11} $	$\angle S_{11}$	$ S_{21} $	$\angle S_{21}$	$ S_{12} $	$\angle S_{12}$	$ S_{22} $	$\angle S_{22}$
100	0.707	-33.1	8.215	151.1	0.043	68.6	0.856	-19.8
200	0.589	-60.3	6.763	132.2	0.059	62.0	0.761	-25.4
400	0.435	-104.7	4.810	106.5	0.089	56.4	0.584	-34.2
600	0.373	-128.1	3.503	93.2	0.110	57.3	0.508	-36.6
800	0.349	-144.4	2.728	83.4	0.130	59.5	0.474	-39.0
900	0.346	-150.1	2.492	80.0	0.142	60.9	0.464	-40.3
1000	0.344	-155.4	2.266	76.8	0.154	61.4	0.459	-41.7
1200	0.340	-163.6	1.971	70.6	0.176	62.1	0.452	-45.2

$V_{CE} = -10V, I_C = -20mA, Z_0 = 50\Omega$

Freq (MHz)	$ S_{11} $	$\angle S_{11}$	$ S_{21} $	$\angle S_{21}$	$ S_{12} $	$\angle S_{12}$	$ S_{22} $	$\angle S_{22}$
100	0.348	-92.8	12.039	129.4	0.031	67.3	0.727	-22.9
200	0.330	-116.7	9.073	118.2	0.041	66.0	0.634	-24.8
400	0.350	-151.2	4.962	95.1	0.068	67.7	0.510	-26.5
600	0.353	-164.5	3.408	84.4	0.093	69.9	0.481	-28.1
800	0.360	-172.9	2.591	76.4	0.118	71.6	0.470	-31.1
900	0.366	-176.2	2.346	73.3	0.131	72.0	0.467	-32.9
1000	0.371	-178.4	2.142	70.8	0.146	71.8	0.467	-34.8
1200	0.379	-176.2	1.851	65.2	0.171	71.1	0.466	-39.1

DISCONTINUED PRODUCT

■ No products described or contained herein are intended for use in surgical implants, life-support systems, aerospace equipment, nuclear power control systems, vehicles, disaster/crime-prevention equipment and the like, the failure of which may directly or indirectly cause injury, death or property loss.

■ Anyone purchasing any products described or contained herein for an above-mentioned use shall:

- ① Accept full responsibility and indemnify and defend SANYO ELECTRIC CO., LTD., its affiliates, subsidiaries and distributors and all their officers and employees, jointly and severally, against any and all claims and litigation and all damages, cost and expenses associated with such use:
- ② Not impose any responsibility for any fault or negligence which may be cited in any such claim or litigation on SANYO ELECTRIC CO., LTD., its affiliates, subsidiaries and distributors or any of their officers and employees jointly or severally.

■ Information (including circuit diagrams and circuit parameters) herein is for example only; it is not guaranteed for volume production. SANYO believes information herein is accurate and reliable, but no guarantees are made or implied regarding its use or any infringements of intellectual property rights or other rights of third parties.

This catalog provides information as of May, 1998. Specifications and information herein are subject to change without notice.