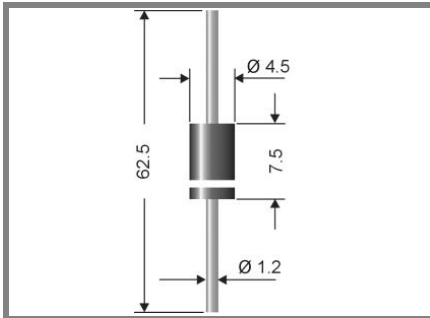


1N 5347B...1N 5382B



Axial lead diode

Zener silicon diodes

1N 5347B...1N 5382B

Maximum Power Dissipation: 5 W

Nominal Z-voltage: 10 to 140 V

Features

- Max. solder temperature: 260°C
- Plastic material has UL classification 94V-0
- Standard Zener voltage tolerance is (5%) standard. Other voltage tolerances and higher Zener voltages on request.

Mechanical Data

- Plastic case DO-201
- Weight approx.: 1 g
- Terminals: plated terminals solderable per MIL-STD-750
- Mounting position: any
- Standard packaging: 1700 pieces per ammo

1) Valid, if leads are kept at ambient temperature at a distance of 10 mm from case

2) Tested with pulses

Absolute Maximum Ratings		T _c = 25 °C, unless otherwise specified	
Symbol	Conditions	Values	Units
P _{tot}	Power dissipation, T _A = 50 °C ¹⁾	5	W
P _{ZSM}	Non repetitive peak power dissipation, t < 10 ms	80	W
R _{thA}	Max. thermal resistance junction to ambient	25	K/W
R _{thT}	Max. thermal resistance junction to terminal	8	K/W
T _j	Operating junction temperature	-50...+150	°C
T _s	Storage temperature	-50...+175	°C

Type	Zener Voltage ²⁾ V _Z @I _{ZT}		Test curr. I _{ZT} mA	Dyn. Resistance Z _{ZT} @I _{ZT} Ω	Temp. Coeff. of V _Z a _{VZ} 10 ⁻⁴ /°C	Z- curr. ¹⁾ T _A = 50 °C		
	V _{Zmin} V	V _{Zmax} V				I _R μA	V _R V	I _{Zmax} mA
1N 5347B	9,4	10,6	125	2	-	5	>7,6	475
1N 5348B	10,4	11,6	125	2,5	-	5	>8,4	432
1N 5349B	11,4	12,7	100	2,5	-	2	>9,1	396
1N 5350B	12,5	13,8	100	2,5	-	1	>9,9	365
1N 5351B	13,2	14,8	100	2,5	-	1	>10,6	339
1N 5352B	14,2	15,8	75	2,5	-	1	>11,5	317
1N 5353B	15,2	16,9	75	2,5	-	1	>12,2	297
1N 5354B	16,1	17,9	70	2,5	-	5	>12,9	279
1N 5355B	17	19	65	2,5	-	5	>13,7	264
1N 5356B	18	20	65	3	-	5	>14,4	250
1N 5357B	18,9	21,1	65	3	-	5	>15,2	238
1N 5358B	20,8	23,2	50	3,5	-	5	>16,7	216
1N 5359B	22,7	25,3	50	3,5	-	5	>18,2	198
1N 5360B	23,7	26,3	50	4	-	5	>19,0	190
1N 5361B	25,6	28,4	50	5	-	5	>20,6	176
1N 5362B	26,5	29,5	50	6	-	5	>21,2	170
1N 5363B	28,3	31,7	40	8	-	5	>22,8	158
1N 5364B	31,2	34,8	40	10	-	5	>25,1	144
1N 5365B	34	38	30	11	-	5	>27,4	132
1N 5366B	37	41	30	14	-	5	>29,7	122
1N 5367B	40	46	30	20	-	5	>32,7	110
1N 5368B	44,5	49,5	25	25	-	5	>35,8	101
1N 5369B	48	54	25	27	-	5	>38,8	93
1N 5370B	53	59	20	35	-	5	>42,6	85
1N 5371B	56,5	63,5	20	40	-	5	>45,5	79
1N 5372B	58,5	66	20	42	-	5	>47,1	77
1N 5373B	64	72	20	44	-	5	>51,7	70
1N 5374B	70	79	20	45	-	5	>56,0	63
1N 5375B	77,5	86,5	15	65	-	5	>62,2	58
1N 5376B	82	92	15	75	-	5	>66,0	55
1N 5377B	86	96	15	75	-	5	>69,2	52
1N 5378B	94	106	12	90	-	5	>76,0	48
1N 5379B	104	116	12	125	-	5	>83,6	43
1N 5380B	113,5	126,5	10	170	-	5	>91,2	40
1N 5381B	123	137	10	190	-	5	>98,8	37
1N 5382B	132,5	147,5	8	230	-	5	>106	34