

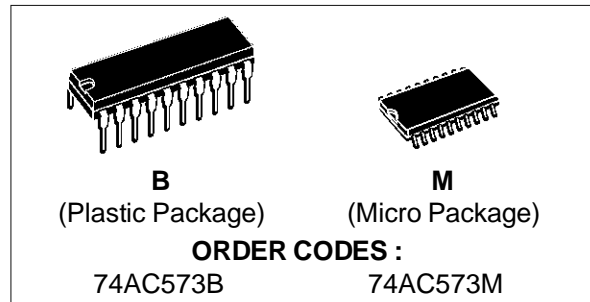
OCTAL D-TYPE LATCH WITH 3 STATE OUTPUT NON INVERTING

- HIGH SPEED: $t_{PD} = 4.5 \text{ ns (TYP.)}$ at $V_{CC} = 5V$
- LOW POWER DISSIPATION:
 $I_{CC} = 8 \mu A \text{ (MAX.)}$ at $T_A = 25 \text{ }^\circ C$
- HIGH NOISE IMMUNITY:
 $V_{NIH} = V_{NIL} = 28\% V_{CC} \text{ (MIN.)}$
- 50Ω TRANSMISSION LINE DRIVING CAPABILITY
- SYMMETRICAL OUTPUT IMPEDANCE:
 $|I_{OH}| = I_{OL} = 24 \text{ mA (MIN)}$
- BALANCED PROPAGATION DELAYS:
 $t_{PLH} \cong t_{PHL}$
- OPERATING VOLTAGE RANGE:
 $V_{CC} \text{ (OPR)} = 2V \text{ to } 6V$
- PIN AND FUNCTION COMPATIBLE WITH 74 SERIES 573
- IMPROVED LATCH-UP IMMUNITY

DESCRIPTION

The AC573 is an advanced high-speed CMOS OCTAL D-TYPE LATCH with 3 STATE OUTPUT NON INVERTING fabricated with sub-micron silicon gate and double-layer metal wiring C²MOS technology. It is ideal for low power applications maintaining high speed operation similar to equivalent Bipolar Schottky TTL.

These 8 bit D-Type latches are controlled by a



latch enable input (LE) and an output enable input (\overline{OE}).

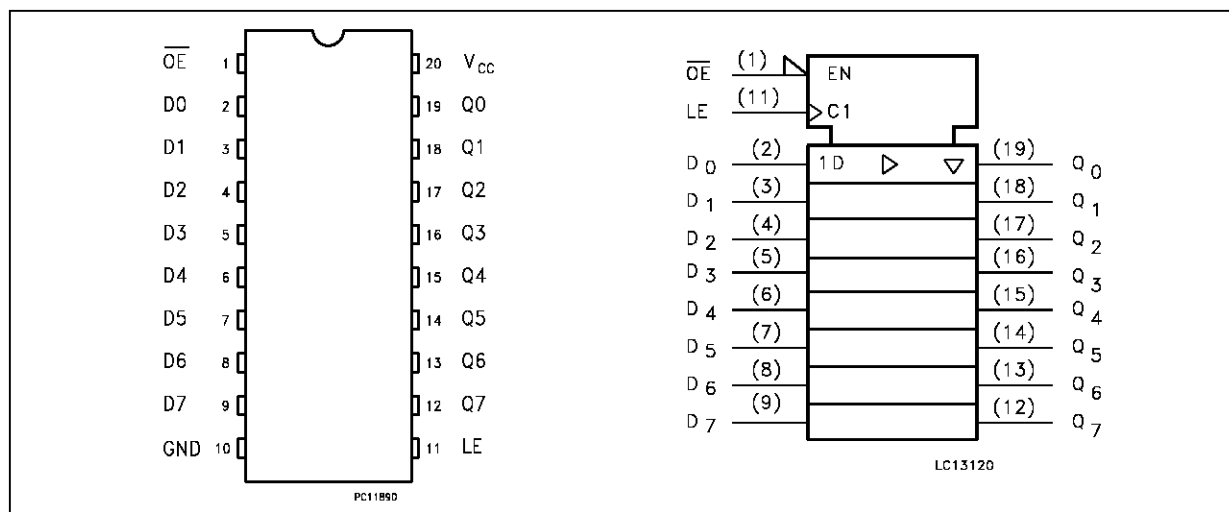
While the LE input is held at a high level, the Q outputs will follow the data input precisely.

When the LE is taken low, the Q outputs will be latched precisely at the logic level of D input data.

While the (\overline{OE}) input is low, the 8 outputs will be in a normal logic state (high or low logic level) and while high level the outputs will be in a high impedance state.

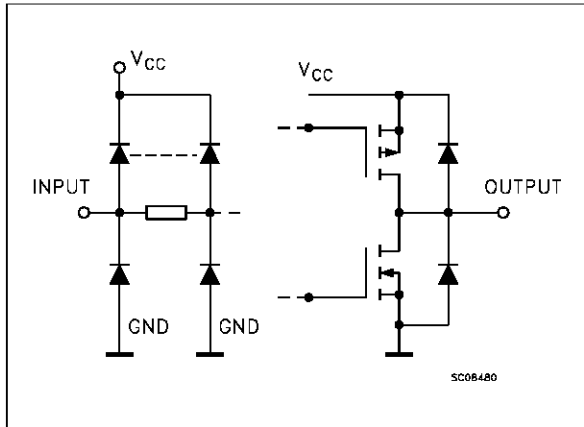
All inputs and outputs are equipped with protection circuits against static discharge, giving them 2KV ESD immunity and transient excess voltage.

PIN CONNECTION AND IEC LOGIC SYMBOLS



74AC573

INPUT AND OUTPUT EQUIVALENT CIRCUIT



PIN DESCRIPTION

| PIN No | SYMBOL | NAME AND FUNCTION |
|--------------------------------|-----------------|--|
| 1 | \overline{OE} | 3 State Output Enable Input (Active LOW) |
| 2, 3, 4, 5, 6, 7, 8, 9 | D0 to D7 | Data Inputs |
| 12, 13, 14, 15, 16, 17, 18, 19 | Q0 to Q7 | 3 State Latch Outputs |
| 11 | LE | Latch Enable Input |
| 10 | GND | Ground (0V) |
| 20 | V _{CC} | Positive Supply Voltage |

TRUTH TABLE

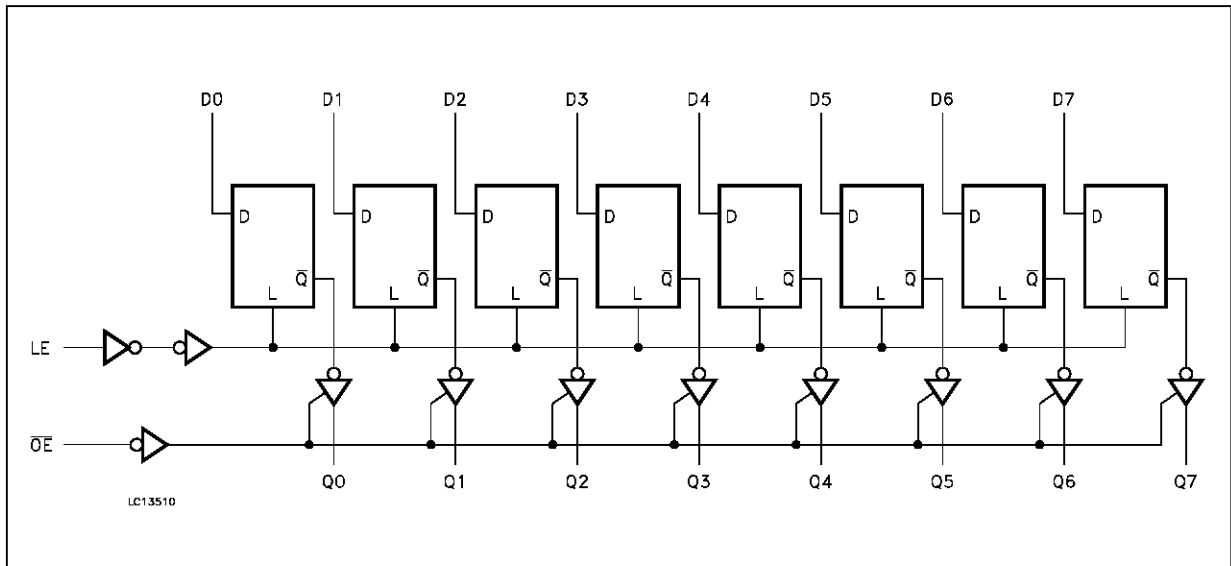
| \overline{OE} | INPUTS | | OUTPUTS |
|-----------------|--------|---|-------------|
| | LE | D | Q |
| H | X | X | Z |
| L | L | X | NO CHANGE * |
| L | H | L | L |
| L | H | H | H |

X: Don't care

Z: High impedance

* Q output are latched at the time when the LE inputs taken low logic level.

LOGIC DIAGRAM



ABSOLUTE MAXIMUM RATINGS

| Symbol | Parameter | Value | Unit |
|-------------------------------------|--------------------------------------|-------------------------------|------|
| V _{CC} | Supply Voltage | -0.5 to +7 | V |
| V _I | DC Input Voltage | -0.5 to V _{CC} + 0.5 | V |
| V _O | DC Output Voltage | -0.5 to V _{CC} + 0.5 | V |
| I _{IK} | DC Input Diode Current | ± 20 | mA |
| I _{OK} | DC Output Diode Current | ± 20 | mA |
| I _O | DC Output Current | ± 50 | mA |
| I _{CC} or I _{GND} | DC V _{CC} or Ground Current | ± 400 | mA |
| T _{stg} | Storage Temperature | -65 to +150 | °C |
| T _L | Lead Temperature (10 sec) | 300 | °C |

Absolute Maximum Ratings are those values beyond which damage to the device may occur. Functional operation under these condition is not implied.

RECOMMENDED OPERATING CONDITIONS

| Symbol | Parameter | Value | Unit |
|-----------------|--|----------------------|------|
| V _{CC} | Supply Voltage | 2 to 6 | V |
| V _I | Input Voltage | 0 to V _{CC} | V |
| V _O | Output Voltage | 0 to V _{CC} | V |
| T _{op} | Operating Temperature: | -40 to +85 | °C |
| dt/dv | Input Rise and Fall Time V _{CC} = 3.0, 4.5 or 5.5 V(note 1) | 8 | ns/V |

1) V_{IN} from 30% to 70% of V_{CC}

DC SPECIFICATIONS

| Symbol | Parameter | Test Conditions | | Value | | | | | Unit | |
|------------------|---------------------------------------|-----------------|--|-------------------------|------|-------|--------------|------|------|----|
| | | | | T _A = 25 °C | | | -40 to 85 °C | | | |
| | | | | Min. | Typ. | Max. | Min. | Max. | | |
| V _{IH} | High Level Input Voltage | 3.0 | V _O = 0.1 V or V _{CC} - 0.1 V | 2.1 | 1.5 | | 2.1 | | V | |
| | | 4.5 | | 3.15 | 2.25 | | 3.15 | | | |
| | | 5.5 | | 3.85 | 2.75 | | 3.85 | | | |
| V _{IL} | Low Level Input Voltage | 3.0 | V _O = 0.1 V or V _{CC} - 0.1 V | | 1.5 | 0.9 | | 0.9 | V | |
| | | 4.5 | | | 2.25 | 1.35 | | 1.35 | | |
| | | 5.5 | | | 2.75 | 1.65 | | 1.65 | | |
| V _{OH} | High Level Output Voltage | 3.0 | V _I ^(*) = V _{IH} or V _{IL} | I _O = -50 μA | 2.9 | 2.99 | | 2.9 | V | |
| | | 4.5 | | I _O = -50 μA | 4.4 | 4.49 | | 4.4 | | |
| | | 5.5 | | I _O = -50 μA | 5.4 | 5.49 | | 5.4 | | |
| | | 3.0 | | I _O = -12 mA | 2.56 | | | 2.46 | | |
| | | 4.5 | | I _O = -24 mA | 3.86 | | | 3.76 | | |
| | | 5.5 | | I _O = -24 mA | 4.86 | | | 4.76 | | |
| V _{OL} | Low Level Output Voltage | 3.0 | V _I ^(*) = V _{IH} or V _{IL} | I _O = 50 μA | | 0.002 | 0.1 | | 0.1 | V |
| | | 4.5 | | I _O = 50 μA | | 0.001 | 0.1 | | 0.1 | |
| | | 5.5 | | I _O = 50 μA | | 0.001 | 0.1 | | 0.1 | |
| | | 3.0 | | I _O = 12 mA | | | 0.36 | | 0.44 | |
| | | 4.5 | | I _O = 24 mA | | | 0.36 | | 0.44 | |
| | | 5.5 | | I _O = 24 mA | | | 0.36 | | 0.44 | |
| I _I | Input Leakage Current | 5.5 | V _I = V _{CC} or GND | | | | ±0.1 | | ±1 | μA |
| I _{OZ} | 3-State Output Off-state Current | 5.5 | V _I = V _{CC} or GND V _O = V _{CC} or GND V _{I(OE)} = V _{IH} | | | | ±0.5 | | ±5 | μA |
| I _{CC} | Quiescent Supply Current | 5.5 | V _I = V _{CC} or GND | | | | 8 | | 80 | μA |
| I _{OLD} | Dynamic Output Current (note 1, 2) | 5.5 | V _{OLD} = 1.65 V max | | | | | | 75 | mA |
| I _{OHD} | | | V _{OHD} = 3.85 V min | | | | | | -75 | mA |

1) Maximum test duration 2ms, one output loaded at time

2) Incident wave switching is guaranteed on transmission lines with impedances as low as 50 Ω.

(*) All outputs loaded.

AC ELECTRICAL CHARACTERISTICS ($C_L = 50 \text{ pF}$, $R_L = 500 \Omega$, Input $t_r = t_f = 3 \text{ ns}$)

| Symbol | Parameter | Test Condition | | Value | | | | | Unit | |
|--------------------------------------|-----------------------------------|---|--|------------------------|------------------------|----------|------|--------------|------|------|
| | | | | V _{CC} (V) | T _A = 25 °C | | | -40 to 85 °C | | |
| | | | | | Min. | Typ. | Max. | Min. | | Max. |
| t _{PLH} t _{PHL} | Propagation Delay Time LE to Q | 3.3 ^(*) 5.0 ^(**) | | | 6 4.5 | 10 8 | | 12 9 | ns | |
| t _{PLH} t _{PHL} | Propagation Delay Time D to Q | 3.3 ^(*) 5.0 ^(**) | | | 5.5 4.5 | 10 8 | | 12 9 | ns | |
| t _{PZL} t _{PZH} | Output Enable Time | 3.3 ^(*) 5.0 ^(**) | | | 6.5 5 | 11 9 | | 13 10 | ns | |
| t _{PLZ} t _{PHZ} | Output Disable Time | 3.3 ^(*) 5.0 ^(**) | | | 7 6 | 12 10 | | 14 11 | ns | |
| t _w | Clock Pulse Width HIGH or LOW | 3.3 ^(*) 5.0 ^(**) | | | 1.5 1.5 | 4 3.5 | | 4.5 4 | ns | |
| t _s | Setup Time Q to CK HIGH or LOW | 3.3 ^(*) 5.0 ^(**) | | | 0.5 0 | 3 2.5 | | 3.5 3 | ns | |
| t _h | Hold Time Q to CK HIGH or LOW | 3.3 ^(*) 5.0 ^(**) | | | -0.5 0 | 3 2.5 | | 3.5 3 | ns | |

(*) Voltage range is 3.3V ± 0.3V

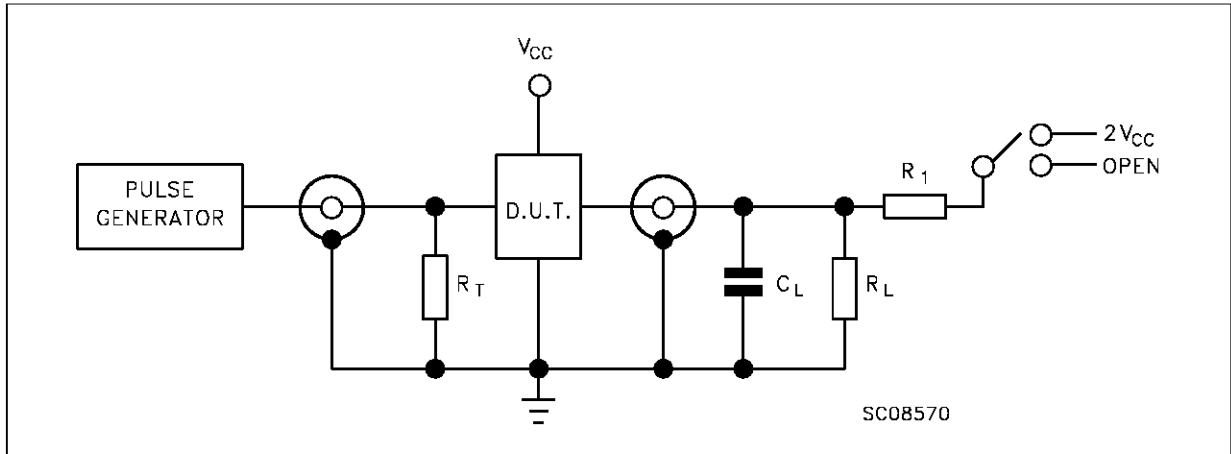
(**) Voltage range is 5V ± 0.5V

CAPACITIVE CHARACTERISTICS

| Symbol | Parameter | Test Conditions | | Value | | | | | Unit | |
|------------------|---|-----------------|--|------------------------|------------------------|------|------|--------------|------|------|
| | | | | V _{CC} (V) | T _A = 25 °C | | | -40 to 85 °C | | |
| | | | | | Min. | Typ. | Max. | Min. | | Max. |
| C _{OUT} | Output Capacitance | 5.0 | | | 8 | | | | pF | |
| C _{IN} | Input Capacitance | 5.0 | | | 4 | | | | pF | |
| C _{PD} | Power Dissipation Capacitance (note 1) | 5.0 | | | 20 | | | | pF | |

1) C_{PD} is defined as the value of the IC's internal equivalent capacitance which is calculated from the operating current consumption without load. (Refer to Test Circuit). Average operating current can be obtained by the following equation. $I_{CC(opr)} = C_{PD} \cdot V_{CC} \cdot f_{IN} + I_{CC}/n$ (per circuit)

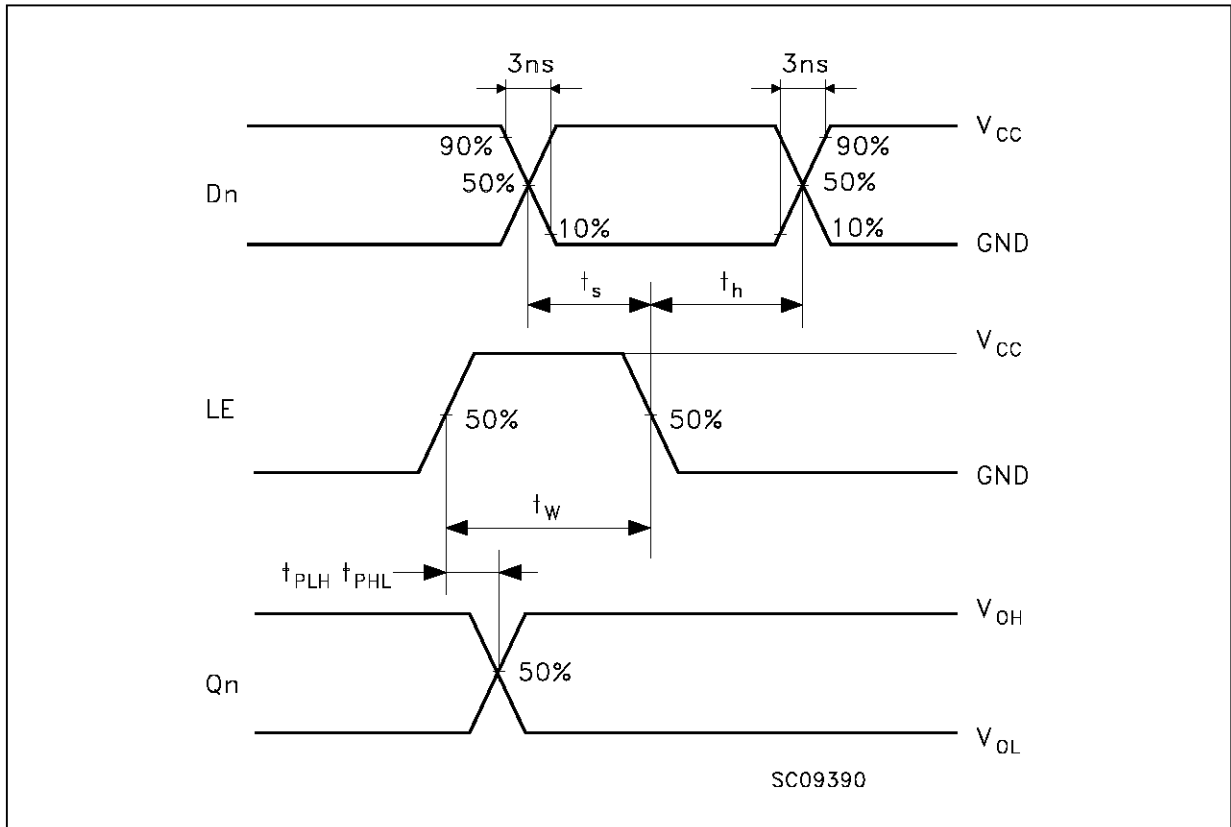
TEST CIRCUIT

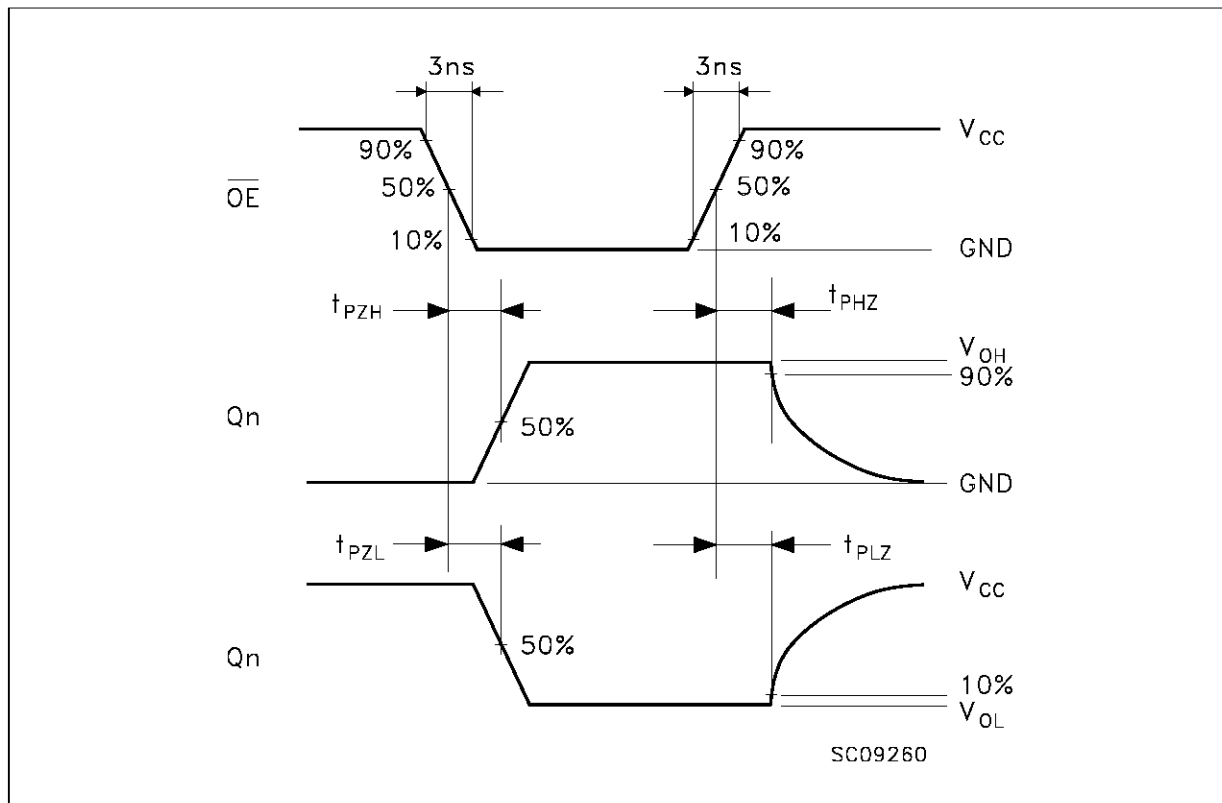
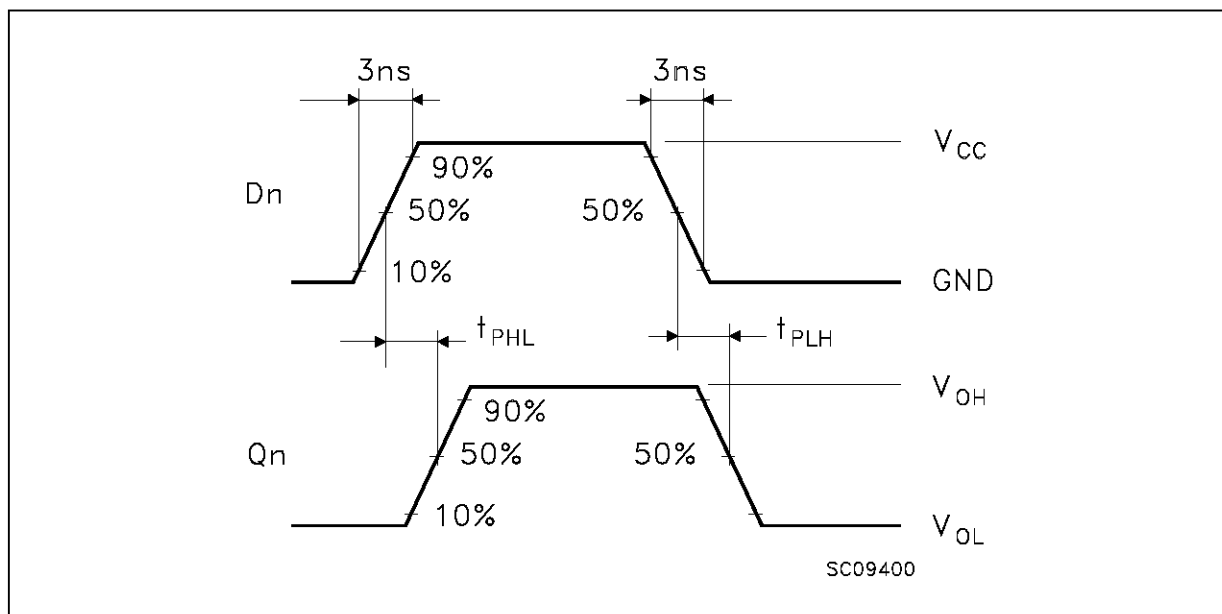


| TEST | SWITCH |
|-----------------------|-----------|
| t_{PLH} , t_{PHL} | Open |
| t_{PZL} , t_{PLZ} | $2V_{CC}$ |
| t_{PZH} , t_{PHZ} | Open |

C_L = 50 pF or equivalent (includes jig and probe capacitance)
 R_L = R_1 = 500Ω or equivalent
 R_T = Z_{OUT} of pulse generator (typically 50Ω)

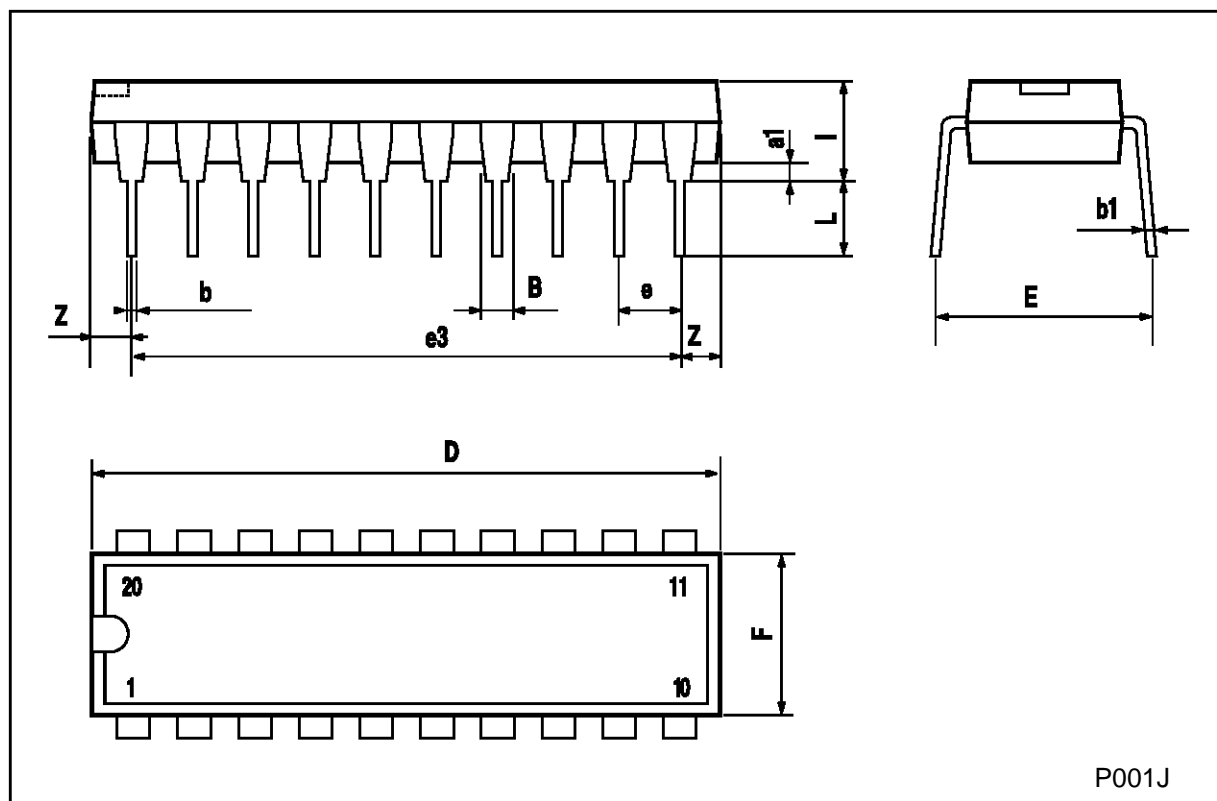
WAVEFORM 1: LE TO Qn PROPAGATION DELAYS, LE MINIMUM PULSE WIDTH, Dn TO LE SETUP AND HOLD TIMES (f=1MHz; 50% duty cycle)



WAVEFORM 2: OUTPUT ENABLE AND DISABLE TIMES ($f=1\text{MHz}$; 50% duty cycle)**WAVEFORM 3: PROPAGATION DELAY TIME** ($f=1\text{MHz}$; 50% duty cycle)

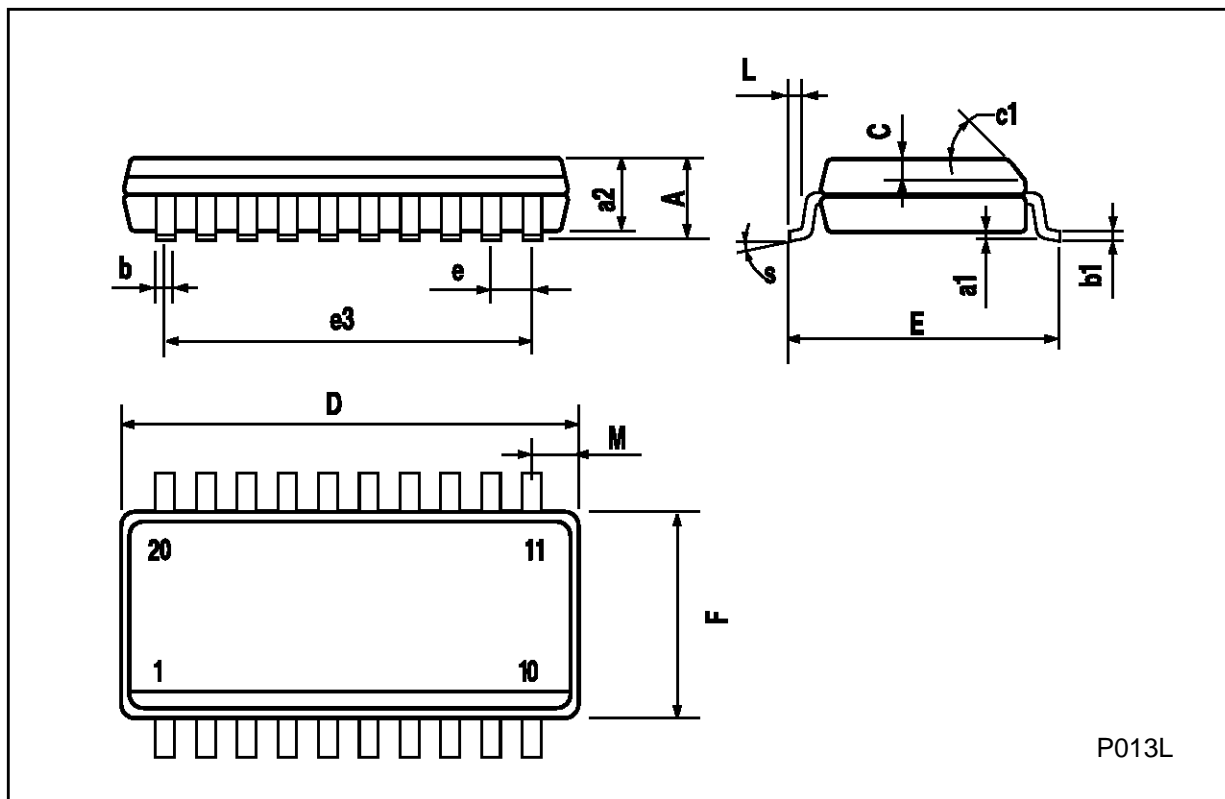
Plastic DIP20 (0.25) MECHANICAL DATA

| DIM. | mm | | | inch | | |
|------|-------|-------|------|-------|-------|-------|
| | MIN. | TYP. | MAX. | MIN. | TYP. | MAX. |
| a1 | 0.254 | | | 0.010 | | |
| B | 1.39 | | 1.65 | 0.055 | | 0.065 |
| b | | 0.45 | | | 0.018 | |
| b1 | | 0.25 | | | 0.010 | |
| D | | | 25.4 | | | 1.000 |
| E | | 8.5 | | | 0.335 | |
| e | | 2.54 | | | 0.100 | |
| e3 | | 22.86 | | | 0.900 | |
| F | | | 7.1 | | | 0.280 |
| l | | | 3.93 | | | 0.155 |
| L | | 3.3 | | | 0.130 | |
| Z | | | 1.34 | | | 0.053 |



SO20 MECHANICAL DATA

| DIM. | mm | | | inch | | |
|------|------------|-------|-------|-------|-------|-------|
| | MIN. | TYP. | MAX. | MIN. | TYP. | MAX. |
| A | | | 2.65 | | | 0.104 |
| a1 | 0.10 | | 0.20 | 0.004 | | 0.007 |
| a2 | | | 2.45 | | | 0.096 |
| b | 0.35 | | 0.49 | 0.013 | | 0.019 |
| b1 | 0.23 | | 0.32 | 0.009 | | 0.012 |
| C | | 0.50 | | | 0.020 | |
| c1 | 45° (typ.) | | | | | |
| D | 12.60 | | 13.00 | 0.496 | | 0.512 |
| E | 10.00 | | 10.65 | 0.393 | | 0.419 |
| e | | 1.27 | | | 0.050 | |
| e3 | | 11.43 | | | 0.450 | |
| F | 7.40 | | 7.60 | 0.291 | | 0.299 |
| L | 0.50 | | 1.27 | 0.19 | | 0.050 |
| M | | | 0.75 | | | 0.029 |
| S | 8° (max.) | | | | | |



Information furnished is believed to be accurate and reliable. However, SGS-THOMSON Microelectronics assumes no responsibility for the consequences of use of such information nor for any infringement of patents or other rights of third parties which may result from its use. No license is granted by implication or otherwise under any patent or patent rights of SGS-THOMSON Microelectronics. Specifications mentioned in this publication are subject to change without notice. This publication supersedes and replaces all information previously supplied. SGS-THOMSON Microelectronics products are not authorized for use as critical components in life support devices or systems without express written approval of SGS-THOMSON Microelectronics.

© 1997 SGS-THOMSON Microelectronics - Printed in Italy - All Rights Reserved

SGS-THOMSON Microelectronics GROUP OF COMPANIES

Australia - Brazil - Canada - China - France - Germany - Hong Kong - Italy - Japan - Korea - Malaysia - Malta - Morocco - The Netherlands - Singapore - Spain - Sweden - Switzerland - Taiwan - Thailand - United Kingdom - U.S.A