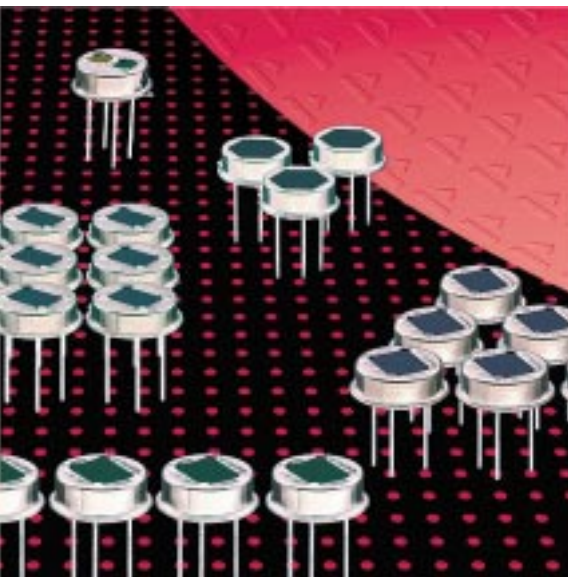


# Twin Element Detector LHi 1548



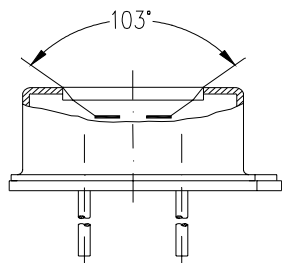
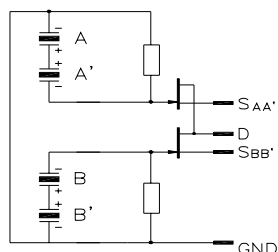
**Four elements as two pairs**

**Two outputs, inverse polarity**

**Designed for PIR Alarm Systems**

The **LHi 1548** pyroelectric infrared detector is designed for high end PIR alarm applications. It includes a twin type pyroelectric ceramic with 4 sensitive elements connected to two FET source follower circuits. Thus it provides for dual channel output. The channels are of inverse polarity.

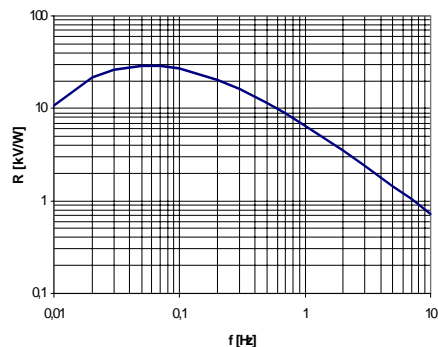
The **LHi 1548** detector is available in **TO-5** housing with standard infrared filter. It offers excellent common mode performance (match) and low noise



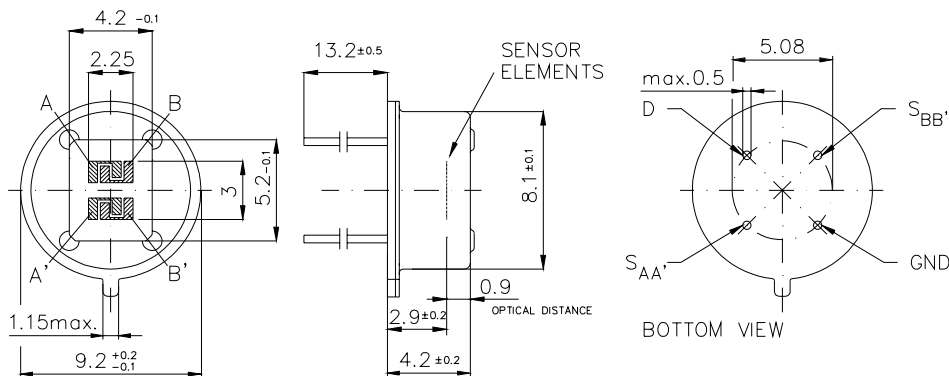
Field of view

Parameters	LHi 1548			units	condition
	min	typical	max		
<b>Element size</b>	0,953			mm <sup>2</sup>	(4 elements)
<b>Responsivity</b>	4200	5000		V/W	100°C, 1 Hz
<b>Match</b>	1			%	
<b>Noise</b>	30	75		μVpp	25°C, 0,3...10Hz
<b>Offset Voltage</b>	0,2	1,55		V	R <sub>s</sub> =47kΩ, 25°C
<b>NEP</b>	8,6x10 <sup>-10</sup> 28x10 <sup>-10</sup>			W √Hz	1Hz Bw, 100°C, 1 Hz
<b>D*</b>	3,5x10 <sup>7</sup>	11x10 <sup>7</sup>		cm √Hz/W	1Hz Bw, 100°C, 1 Hz
<b>Output Impedance</b>	5			kΩ	R <sub>s</sub> =47kΩ, 25°C
<b>Operating Voltage</b>	2	15		V	R <sub>s</sub> =47kΩ, 25°C
<b>Field of View, horizontal</b>	103°				unobstructed
<b>Field of View, vertical</b>	96°				unobstructed
<b>Operating Temp.</b>	-40	85		°C	non permanent
<b>Storage Temperature</b>	-40	85		°C	non permanent

Right for modification reserved / WS / 29.6.2001



Frequency Response



Dimensions in mm

Europe:  
**PerkinElmer** Optoelectronics GmbH  
 Wenzel Jaksch Str 31  
 Wiesbaden / Germany  
 Phone +49(0)611 492 0  
 Fax +49(0)611 492 170

USA:  
**PerkinElmer** Optoelectronics  
 2175 Mission College Blvd  
 Santa Clara, CA 95054  
 Phone +408 565 0830  
 Fax +408 565 0703

Asia:  
**PerkinElmer** Optoelectronics  
 47, Ayer Rajah Crescent #06-12  
 Singapore 139947  
 Phone +65 775 2022  
 Fax +65 775 1008