

9,5x11,5mm
No. A470/A471/A472

This product is not recommended for new designs. Please refer to Littelfuse series SL1024B.



3-electrode (20kA/20A)
High Discharge Series

Features

- Non-radioactive
- Lead Free
- Failsafe Option

Applications

- Telecommunication
- Data Transmission
- Subscriber protection
- Underground cables

Standard

- UL-497B
- complies to ITU-T K.12 (formerly CCITT)
- complies to DIN 57845/VDE 0845

Approvals

- UL-rec.

WebLinks

- Further info see:
http://www.wickmanngroup.com/download/orderinfo_surgearr.pdf
http://www.wickmanngroup.com/download/crossref_surgearr.pdf

Specifications

Packaging

- A470: 00=Bulk (2.000 pcs.)
- A471: 00=Bulk (100 pcs.)
- A472: 04=Tray (100 pcs.)

Materials

- Housing: Ceramic
- Gas: non-radioactive
- Leads: tin plated

Arc Voltage @ 1A

~ 35V

Transition Glow to Arc @

~ 1.0A

Operating temperature

-40°C to +90°C

Climatic Category

complies to IEC 60068-1
 +40°C, 21 days, <93% humidity

Soldering characteristics

complies to IEC 60068-2-20

Soldering Heat Resistance

complies to IEC 60068-2-58

Transverse Delay Time

complies to ITU-T K.12
 < 0.2µs

Marking

Ⓜ, Type, Nom. Voltage, Date

Unit Weight

ca. 3.0g



Characteristics

Type/ Order Code voltage	DC sparkover voltage	Tolerance voltage	Impulse sparkover (1kV/µs) typ.	Glow Voltage (@100 Vdc)	Insulation Resistance E1/M;E2/M	Capacitance (@1MHZ) Impulse E1/M;E2/M	8/20µs Nominal Impulse Discharge Current (10 times) E1+E2/M	8/20µs Single Discharge Discharge Current (1 time) E1+E2/M	AC Nominal Discharge Current (50Hz; 1s; 10 times) E1+E2/M	AC Alternating Current (50Hz; 9 cycles) E1+E2/M	Approval UL-rec.
A470 SO 0260 01 00	260V	+/- 20%	< 200V	~ 200V	> 10GΩ	< 1.5 pF	20kA	30kA	20A	130A	
A470 SO 0350 13 00 A471 SO 0350 13 04 A472 SO 0350 13 04	350V	-15%/+40%	< 200V	~ 200V	> 10GΩ	< 1.5 pF	20kA	30kA	20A	130A	•
A470 SO 0600 01 00 A471 SO 0600 01 04 A472 SO 0600 01 04	600V	+/- 20%	< 200V	~ 200V	> 10GΩ	< 1.5 pF	20kA	30kA	20A	130A	•
A470 SO 0650 12 00 A471 SO 0650 12 04 A472 SO 0650 12 04	650V	+/- 25%	< 200V	~ 200V	> 10GΩ	< 1.5 pF	20kA	30kA	20A	130A	•

other values on request

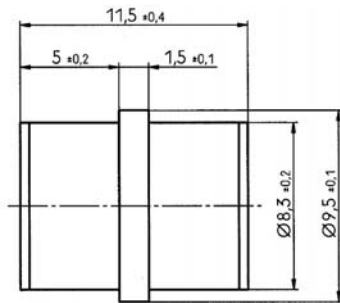
Specifications are subject to change without notice.

**Order
Example**

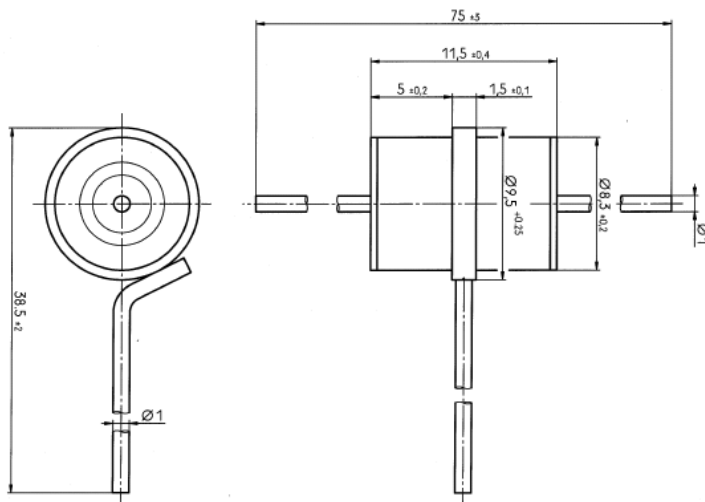
Qty.	Order- Number	Type	Failsafe Option	Sparkover Volt.	Tolerance	Packaging
		A470	SO	0260	01	00

Dimensions (mm) A470/A471/A472

A470



A471



A472

