



Genesys Logic, Inc.

GL813 - USB 2.0 CompactFlash Card Reader Controller

Specification 1.2

April 12, 2002

Genesys Logic, Inc.

10F., No.11, Ln.155, Sec.3, Peishen Rd., Shenkeng, Taipei, Taiwan

Tel: 886-2-2664-6655 Fax: 886-2-2664-5757

<http://www.genesyslogic.com>

Contents

1. General Description	3
2. Features	4
3. Function Block	5
3.1 <i>Block Diagram</i>	5
3.2 <i>Functional Overview</i>	6
4. Pinning Information	7
4.1 <i>48-pin LQFP Package</i>	7
4.2 <i>100-pin LQFP package</i>	9
5. Functional Description	15
5.1 <i>Transmit Operation</i>	15
5.2 <i>Receive Operation</i>	17
6. Electrical Characteristics	19
6.1 <i>Absolute Maximum Ratings</i>	19
6.2 <i>Recommended Operating Conditions</i>	19
6.3 <i>DC Characteristics (Digital Pins)</i>	19
6.4 <i>DC Characteristics (D+/D-)</i>	20
6.5 <i>Switching Characteristics</i>	20
7. Package Dimension	22
7.1 <i>48-pin LQFP Package</i>	22
7.2 <i>100-pin LQFP Package</i>	23
8. Revision History	24

1. General Description

The GL813 is a high performance, low cost USB2.0 CompactFlash-single card reader controller. With the integration of GenesysLogic own design USB 2.0 high speed UTMI transceiver, the GL813 has made a conspicuous improvement with full speed USB 1.1 card readers on data transfer rate between PC host and flash memory card.

There are totally 4 endpoints in GL813 controller, Control, Bulk In, Bulk Out, and Interrupt. Complies with USB 480Mbps specification ver. 2.0 and USB Storage Class specification ver. 1.0. (Bulk only protocol), the GL813 can support not only plug and play but also Windows ME/ 2000/ XP default driver. For the EMI consideration, the GL813 uses 12MHZ crystal and slew-rate controlled pads to reduce the EMI issue.

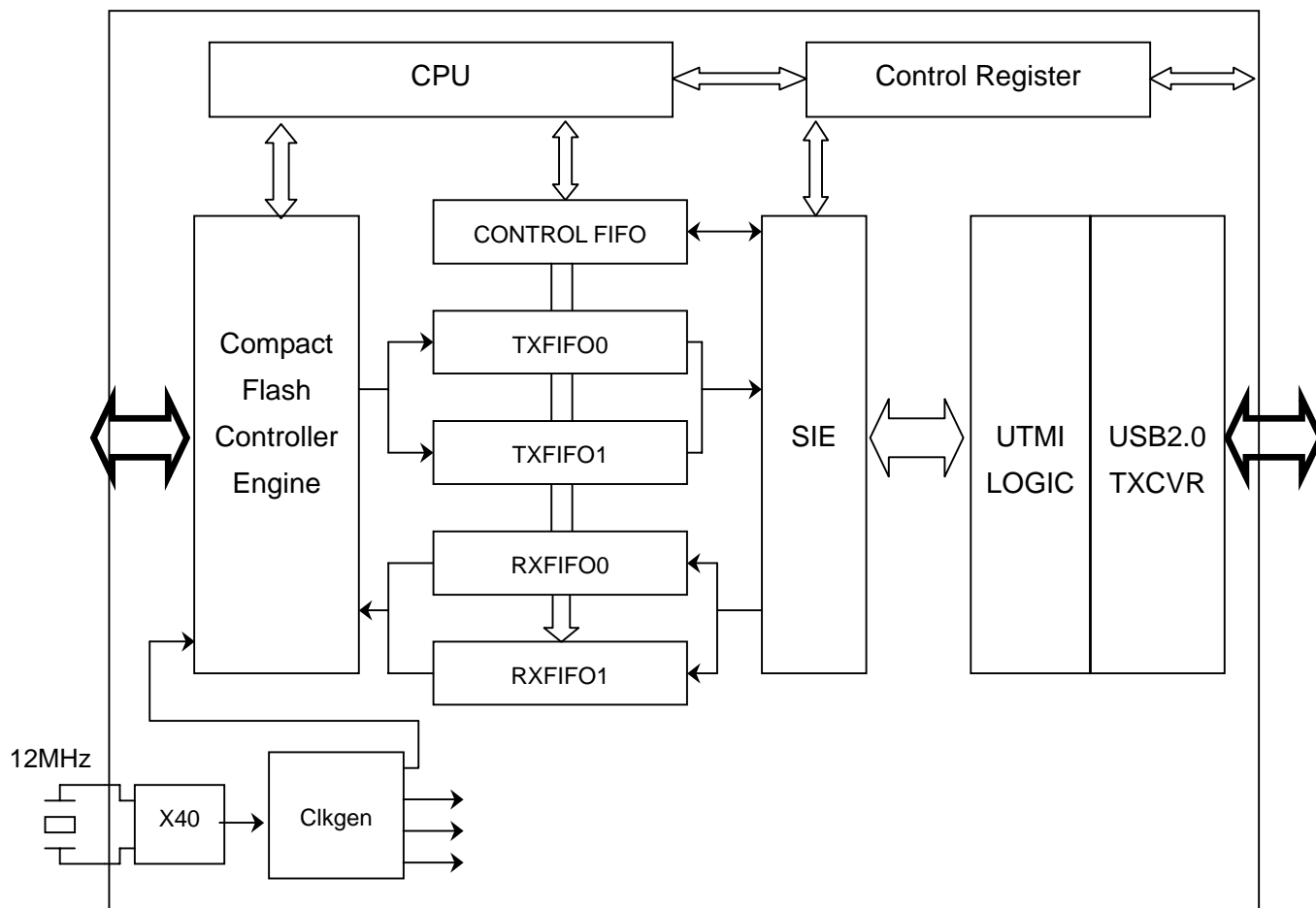
The GL813 is 48-pin LQFP package (9mmX9mm) to make the best cost competitive for the high speed single flash card reader design and applications. Also we provide 100-pin LQFP package (14mmX14mm) with external ROM/ Flash for design flexibility.

2. Features

- Complies with Universal Serial Bus specification rev. 2.0.
- Complies with Compact Flash specification rev. 1.4.
- Complies with USB Storage Class specification ver.1.0. (Bulk only protocol)
- Operating system supported: Win XP/ 2000/ ME/ 98/ 98SE; Mac OS 9.X/ X.
- Supports 4 endpoints: Control/ Bulk Read/ Bulk Write/ Interrupt.
- 64/ 512 bytes Data Payload for full / high speed Bulk Endpoint.
- Supports 8-bit / 16-bit Standard PIO mode interface.
- Embedded USB 2.0 UTMI transceiver.
- Embedded 7.5 MIPS RISC CPU.
- Supports external ROM/ Flash modes for design flexibility. (100-pin LQFP)
- Supports Power Down mode and USB suspend indicator.
- Supports USB 2.0 TEST mode features.
- 12MHz external clock to provide better EMI/3.3V power input.
- 5V tolerance pad for Compact Flash Card interface.
- Supports EEPROM to customize USB VID / PID and String Descriptors.
- Available in 48-pin (9mmX9mm) / 100-pin (14mmX14mm) LQFP package.

3. Function Block

3.1 Block Diagram



3.2 Functional Overview

3.2.1 USB 2.0 TXCVR

The USB 2.0 Transceiver is the analog circuitry to handle the USB HS/FS signaling.

3.2.2 UTMI Logic

The UTMI Logic is compliant to Intel's UTMI specification 1.01. This block handles the low level USB protocol and signaling. The major jobs of UTMI Logic is data and clock recovery, NRZI encoding/decoding, Bit Stuffing/De-stuffing, USB2.0 test modes supporting and serial / parallel conversion.

3.2.3 PLL

40XPLL block will provide 480MHz for USB HS data transmission.

3.2.4 CLKGEN

CLKGEN is the clock generator block for the logic blocks. It generates 15MHz clock for micro controller, 12MHz for PIO mode, and 30MHz clock for UTMI, SIE, and FIFO.

3.2.5 CPU

The CPU is the control center of GL813. It's an 8-bit micro controller operating in 15MHz, 7.5 MIPS. After receiving a USB command, it decodes the host command, then it re-assigns tasks to the CompactFlash controller engine, GPIO, FIFO, and response proper data/ status to USB host.

3.2.6 CompactFlash Controller Engine

The CompactFlash controller engine is extended from standard ATA/ ATAPI protocol. It supports PIO mode data transfers.

3.2.7 FIFOs

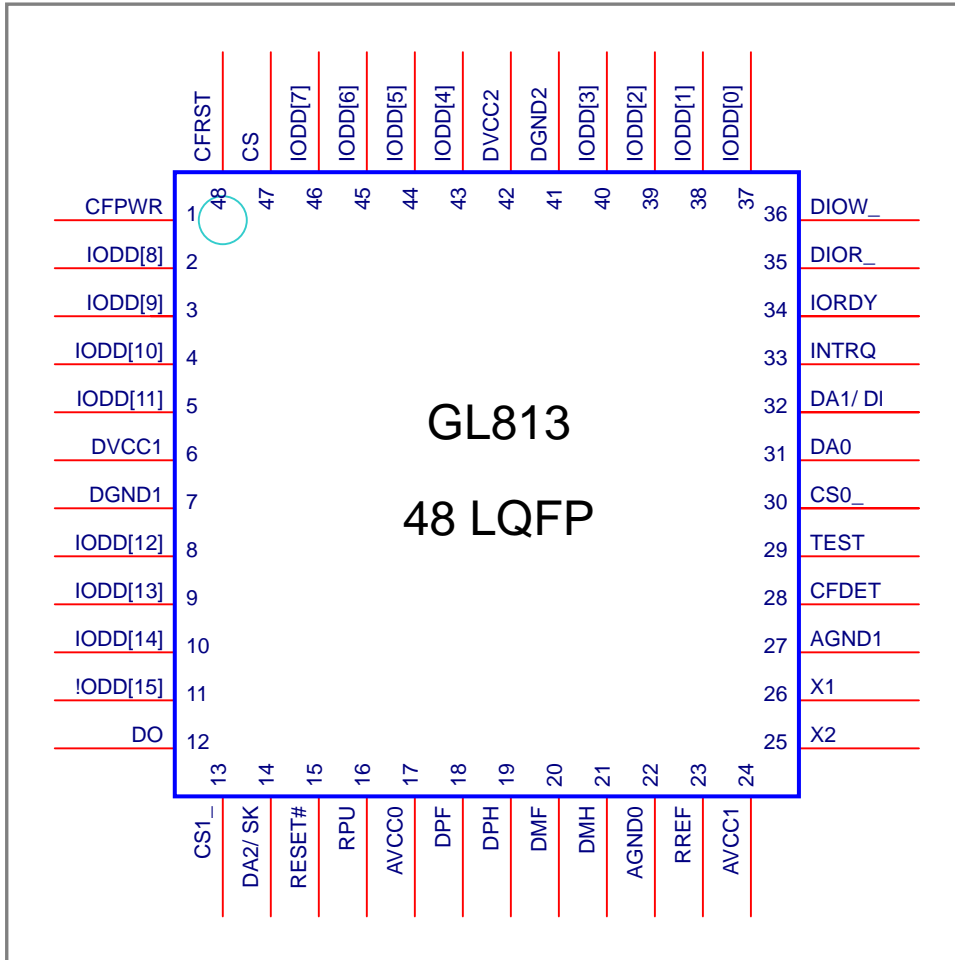
Control FIFO is used as Control Read / Write FIFO. *TXFIFO0 / TXFIFO1* are two sets of 512-byte ping-pong FIFO for Bulk Read endpoint. It buffers data from CompactFlash controller engine, and re-direct to USB SIE logic. *RXFIFO0 / RXFIFO1* are two sets of 512-byte ping-pong FIFO for Bulk Write endpoint. It buffers data from USB SIE logic, and re-direct to CompactFlash controller engine.

3.2.8 Control Registers

Control Register configures GL813 to proper operation. For example, CPU can set register to generate wakeup event, enter suspend, transmits proper USB packet to host.

4. Pinning Information

4.1 48-pin LQFP

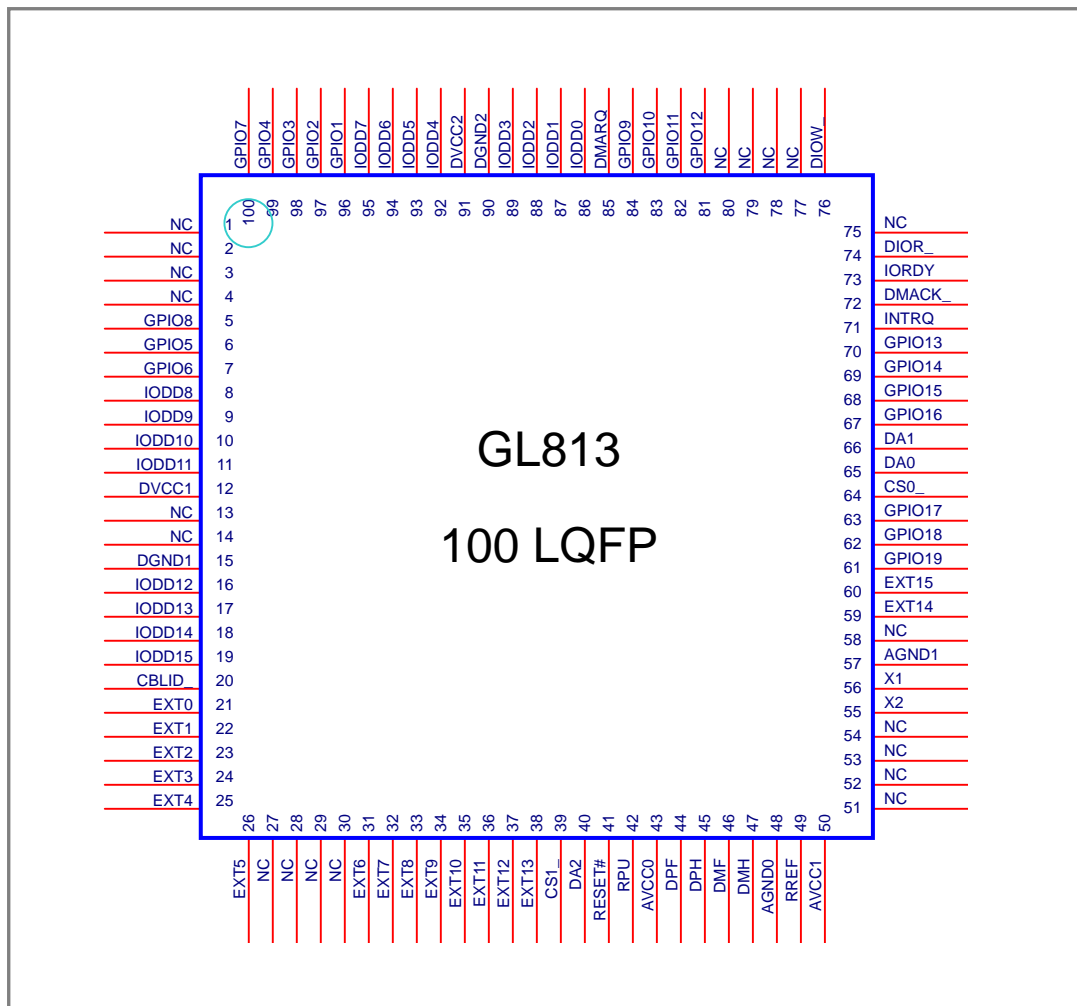


Pin #	Name	I/O	Pad Type	Description
1	CFPWR	B	Tri-state	Compact flash card power control
2~5	IODD [8:11]	I	Tri-state	IDE data bus 8~11
6	DVCC1	P	Power	Digital VCC
7	DGND1	P	Power	Digital ground
8~11	IODD [12:15]	B	Tri-state	IDE data bus 12~15
12	DO	I	Tri-state	DO from EEPROM
13	CS1_	O	Tri-state	IDE chip select 1

Pin #	Name	I/O	Pad Type	Description
14	DA2 / SK	O	Tri-state	IDE address 2 / SK to EEPROM
15	RESET#	I	Pull-high	HW reset
16	RPU	A	U20mia	3.3v output
17	AVCC0	P	Power	Analog VCC
18	DPF	B	U20mia	Full speed DP
19	DPH	B	U20mia	High speed DP
20	DMF	B	U20mia	Full speed DM
21	DMH	B	U20mia	High speed DM
22	AGND0	P	Power	Analog ground
23	RREF		U20mia	Reference resistor connect (*)
24	AVCC1	P	Power	Analog VCC
25	X2	B	Clock	Crystal output
26	X1	I	Clock	Crystal input, 12Mhz
27	AGND1	P	Power	Analog ground
28	CFDET	I	Tri-state	Compact flash card detect
29	TEST	I	Pull-low	TEST mode input
30	CS0_	O	Tri-state	IDE Chip select 0
31	DA0	O	Tri-state	IDE address 0
32	DA1 / DI	O	Tri-state	IDE address 1 / DI to EEPROM
33	INTRQ	I	Tri-state	IDE Interrupt request
34	IORDY	I	Tri-state	IDE IO ready
35	DIOR_	O	Tri-state	IDE read signal
36	DIOW_	O	Tri-state	IDE write signal
37~40	IODD [0:3]	B	Tri-state	IDE data bus 0~3
41	DGND2	P	Power	Digital ground
42	DVCC2	P	Power	Digital VCC
43~46	IODD [4:7]	B	Tri-state	IDE data bus 4~7
47	CS	O	Tri-state	CS to EEPROM
48	CFRST	B	Tri-state	Compact Flash Card HW reset

(*) RREF must be connected with a 510 ohm resistor to ground.

4.2 100-pin LQFP



Pin #	Name	I/O	Pad Type	Description
1	NC	-	-	-
2	NC	-	-	-
3	NC	-	-	-
4	NC	-	-	-
5	GPIO8	B	Tri-state	GPIO8 (*)
6	GPIO5	B	Tri-state	GPIO5
7	GPIO6	B	Tri-state	GPIO6
8~11	IODD [8:11]	B	Tri-state	IDE data bus 8 ~ 11
12	DVCC1	P	Power	Digital VCC
13	NC	-	-	-
14	NC	-	-	-
15	DGND1	P	Power	Digital ground
16~19	IODD [12:15]	B	Tri-state	IDE data bus 12 ~ 15
20	CBLID_	I	Tri-state	Cable select input
21	NC/ECPURD/EROMD0	I	Pull-low	NC: Embedded CPU mode ECPURD: Read signal when external CPU mode EROMD0: Data0 when external ROM mode
22	NC/ECPUWR/EROMD1	I	Pull-low	NC: Embedded CPU mode ECPUWR: Write signal when external CPU mode EROMD1: Data1 when external ROM mode
23	NC/ECPUA5/EROMD2	I	Pull-low	NC: Embedded CPU mode ECPUA5: Address5 when external CPU mode EROMD2: Data2 when external ROM mode
24	NC/ECPUA4/EROMD3	I	Pull-low	NC: when embedded CPU mode ECPUA4: Address4 when external CPU mode EROMD3: Data3 when external ROM mode
25	NC/ECPUA3/EROMD4	I	Pull-low	NC: Embedded CPU mode ECPUA3: Address3 when external CPU mode EROMD4: Data4 when external ROM mode

Pin #	Name	I/O	Pad Type	Description
26	NC/ECPUA2/EROMD5	I	Pull-low	NC: Embedded CPU mode ECPUA2: Address2 when external CPU mode EROMD5: Data5 when external ROM mode
27	NC	-	-	-
28	NC	-	-	-
29	NC	-	-	-
30	NC	-	-	-
31	NC/ECPUA1/EROMD6	I	Pull-low	NC: Embedded CPU mode ECPUA1: Address1 when external CPU mode EROMD6: Data6 when external ROM mode
32	NC/ECPUA0/EROMD7	I	Pull-low	NC: Embedded CPU mode ECPUA0: Address0 when external CPU mode EROMD7: Data7 when external ROM mode
33	NC/ECPUD7/EROMD8	B	Pull-low	NC: Embedded CPU mode ECPUD7: Data7 when external CPU mode EROMD8: Data8 when external ROM mode
34	NC/ECPUD6/EROMD9	B	Pull-low	NC: Embedded CPU mode ECPUD6: Data6 when external CPU mode EROMD9: Data9 when external ROM mode
35	NC/ECPUD5/EROMD10	B	Pull-low	NC: Embedded CPU mode ECPUD5: Data5 when external CPU mode EROMD10: Data10 when external ROM mode
36	NC/ECPUD4/EROMD11	B	Pull-low	NC: Embedded CPU mode ECPUD4: Data4 when external CPU mode EROMD11: Data11 when external ROM mode
37	NC/ECPUD3/EROMD12	B	Pull-low	NC: Embedded CPU mode ECPUD3: Data3 when external CPU mode EROMD12: Data12 when external ROM mode

Pin #	Name	I/O	Pad Type	Description
38	NC/ECPUD2/EROMD13	B	Pull-low	NC: Embedded CPU mode ECPUD2: Data2 when external CPU mode EROMD13: Data13 when external ROM mode
39	CS1_	O	Tri-state	Chip select 1
40	DA2	O	Tri-state	IDE address 2
41	RESET#	I	Pull-high	Reset pin
42	RPU	A	U20mia	3.3v output
43	AVCC0	P	Power	Analog VCC
44	DPF	B	U20mia	Full speed DP
45	DPH	B	U20mia	High speed DP
46	DMF	B	U20mia	Full speed DM
47	DMH	B	U20mia	High speed DM
48	AGND0	P	Power	Analog ground
49	RREF		U20mia	Reference resistor connect (*)
50	AVCC1	P	Power	Analog VCC
51	NC	-	-	-
52	NC	-	-	-
53	NC	-	-	-
54	NC	-	-	-
55	X2	B	Clock	Crystal output
56	X1	I	Clock	Crystal input, 12Mhz
57	AGND1	P	Power	Analog ground
58	NC	-	-	-
59	NC/ECPUD1/EROMA0	B	Pull-low	NC: Embedded CPU mode ECPUD1: Data1 when external CPU mode EROMA0: Address0 when external ROM mode
60	NC/ECPUD0/EROMA1	B	Pull-low	NC: Embedded CPU mode ECPUD0: Data0 when external CPU mode EROMA1: Address1 when external ROM mode
61	GPIO19	B	Pull-low	GPIO19
62	GPIO18/GPIO18/EROMA11	B	Pull-low	GPIO18: for embedded or external CPU mode EROMA11: Address11 when external ROM mode

Pin #	Name	I/O	Pad Type	Description
63	GPIO17/GPIO17/EROM A10	B	Pull-low	GPIO17: For embedded or external CPU mode EROMA10: Address10 when external ROM mode
64	CS0_	O	Tri-state	Chip select 0
65	DA0	O	Tri-state	IDE address 0
66	DA1	O	Tri-state	IDE address 1
67	GPIO16/GPIO16/EROM A9	B	Pull-low	GPIO16: For embedded or external CPU mode EROMA9: Address9 when external ROM mode
68	GPIO15/GPIO15/EROM A8	B	Pull-low	GPIO15: For embedded or external CPU mode EROMA8: Address8 when external ROM mode
69	GPIO14/GPIO15/EROM A7	B	Pull-low	GPIO14: For embedded or external CPU mode EROMA7: Address7 when external ROM mode
70	GPIO13/GPIO14/EROM A6	B	Pull-low	GPIO13: For embedded or external CPU mode EROMA6: Address6 when external ROM mode
71	INTRQ	I	Tri-state	IDE interrupt input
72	DMACK_	O	Tri-state	IDE acknowledge
73	IORDY	I	Pull-high	IDE ready
74	DIOR_	O	Tri-state	IDE read signal
75	NC	-	-	-
76	DIOW_	O	Tri-state	IDE write signal
77	NC	-	-	-
78	NC	-	-	-
79	NC	-	-	-
80	NC	-	-	-
81	GPIO12/GPIO13/EROM A5	B	Pull-low	GPIO12: For embedded or external CPU mode EROMA5: Address5 when external ROM mode
82	GPIO11/GPIO12/EROM A4	B	Pull-low	GPIO11: For embedded or external CPU mode EROMA4: Address4 when external ROM mode

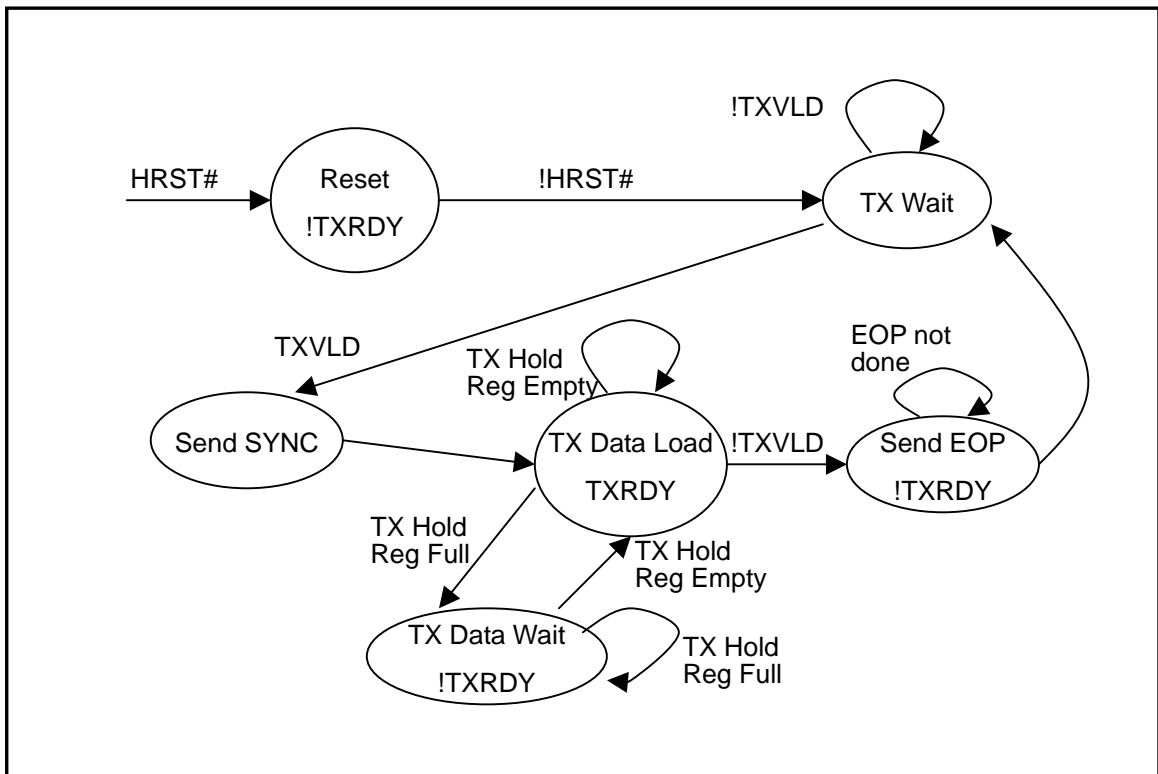
Pin #	Name	I/O	Pad Type	Description
83	GPIO10/GPIO10/EROM A3	B	Pull-low	GPIO10: For embedded or external CPU mode EROMA3: Address3 when external ROM mode
84	GPIO9/GPIO9/EROMA2	B	Pull-low	GPIO9: For embedded or external CPU mode EROMA2: Address2 when external ROM mode
85	DMARQ	I	Pull-low	IDE request
86~89	IDEDD [0:3]	B	Tri-state	IDE data bus 0~3
90	DGND2	P	Power	Digital ground
91	DVCC2	P	Power	Digital VCC
92~95	IDEDD [4:7]	B	Tri-state	IDE data bus 4~7
96	GPIO1	B	Pull-high	GPIO1
97	GPIO2	B	Pull-high	GPIO2
98	GPIO3	B	Pull-high	GPIO3
99	GPIO4	B	Pull-low	GPIO4
100	GPIO7	B	Pull-low	GPIO 7 (*)

(*) When operating in default mode: GPIO7 is the IDE reset input, GPIO8 is used to control the power input of IDE device.

5. Functional Description

5.1 Transmit Operation

5.1.1 Transmit State Diagram

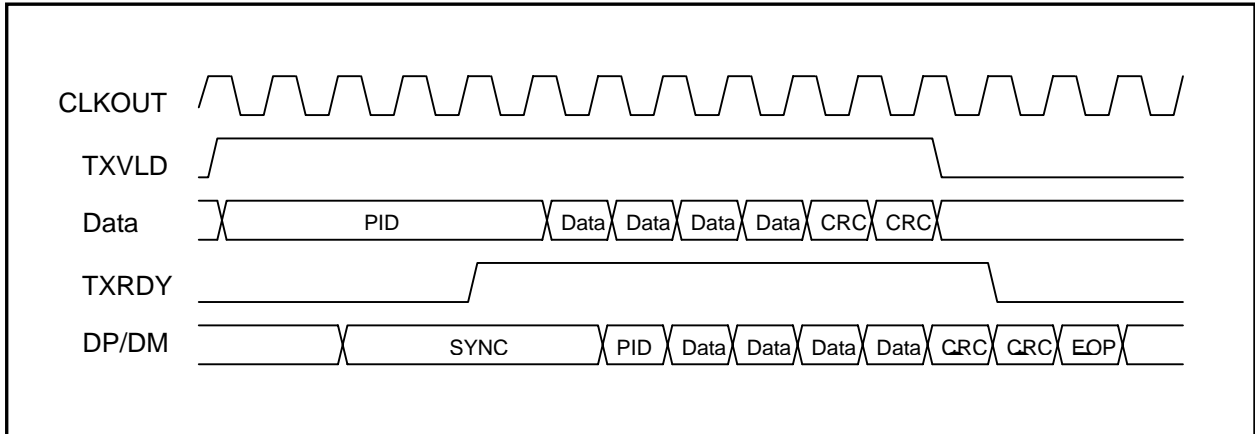


- Transmit must be asserted to enable any transmissions.
- The SIE asserts TXVLD to begin a transmission.
- The SIE negates TXVLD to end a transmission.
- After the SIE asserts TXVLD it can assume that the transmission has started when it detects TXRDY asserted.
- The SIE assumes that the UTM has consumed a data byte if TXRDY and TXVLD are asserted.
- The SIE must have valid packet information (PID) asserted on the Data bus coincident with the assertion of TXVLD. Depending on the UTM implementation, TXRDY may be asserted by the Transmit State Machine as soon as one CLK after the assertion of TXVLD.
- TXVLD and TXRDY are sampled on the rising edge of CLKOUT.
- The Transmit State Machine does not automatically generate Packet ID's (PIDs) or

CRC. When transmitting, the SIE is always expected to present a PID as the first byte of the data stream and if appropriate, CRC as the last bytes of the data stream.

- The SIE must use LINEST0/1 to verify a Bus Idle condition before asserting TXVLD in the TX Wait state.

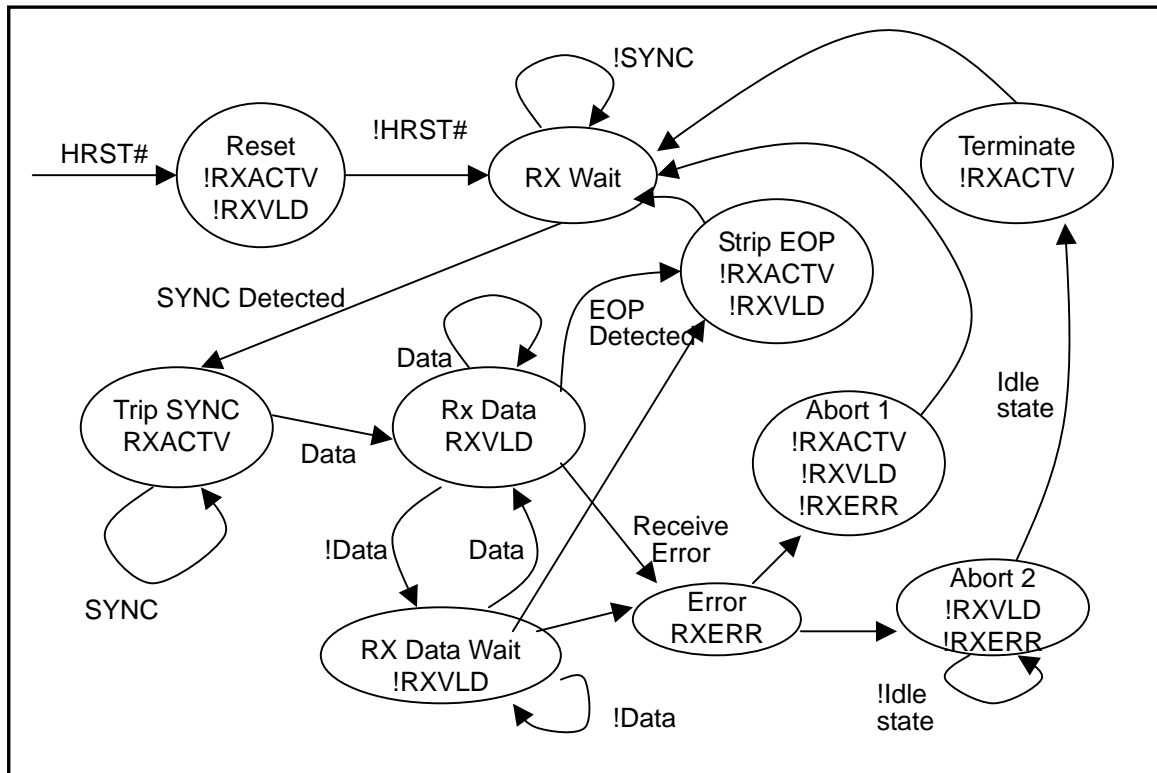
5.1.2 Transmit Timing for Data Packet



The SIE negates TXVLD to complete a packet. Once negated, the Transmit State Machine will never reassert TXRDY until after the EOP has been loaded into the Transmit Shift Register. Note that the UTM Transmit State Machine can be ready to start another package immediately, however the SIE must confirm to the minimum inter-packet delays identified in the USB 2.0 Specification.

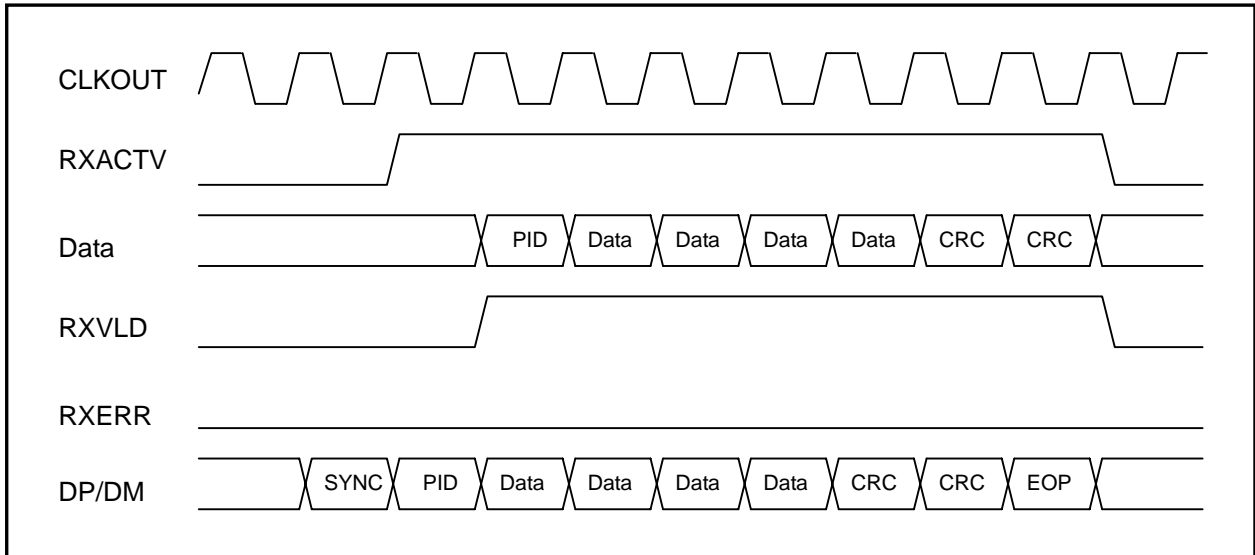
5.2 Receive Operation

5.2.1 Receive State Diagram



- RXACTV and RXVLD are sampled on the rising edge of CLKOUT.
- In the RX Wait state the receiver is always looking for SYNC.
- The Macrocell asserts RXACTV when SYNC is detected (Strip SYNC state).
- The Macrocell negates RXACTV when an EOP is detected (Strip EOP state).
- When RXACTV is asserted, RXVLD will be asserted if the RX Holding Register is full.
- RXVLD will be negated if the RX Holding Register was not loaded during the previous byte time. This will occur if 8 stuffed bits have been accumulated.
- The SIE must be ready to consume a data byte if RXACTV and RXVLD are asserted (RX Data state).
- In FS mode, if a bit stuff error is detected then the Receive State Machine will negate RXACTV and RXVLD, and return to the RXWait state.

5.2.2 Receive Timing for Data Packet (with CRC-16)



Note that the USB 2.0 transceiver does not decode Packet ID's (PIDs). They are passed to the SIE for decoding.

This timing example is in HS mode. When a HS/FS UTM is in FS mode there are approximately 40 clock cycles every byte time. The Receive State Machine assumes that the SIE captures the data on the data bus if RXACTV and RXVLD are asserted. In FS mode, RXVLD will only be asserted for one clock per byte time.

Note that the receive and transmit sections of the transceiver operate independently. The receiver will receive any packets on the USB. The transceiver does not identify whether the packet that it is receiving from the upstream or the downstream port. The SIE must ignore receive data while it is transmitting.

6. Electrical Characteristics

6.1 Absolute Maximum Ratings

Symbol	Description	Min	Max	Unit
V_{CC}	DC supply voltage	-0.3	+3.6	V
V_I	DC input voltage	-0.3	$V_{CC} + 0.3$	V
$V_{I/O}$	DC input voltage range for I/O	-0.3	$V_{CC} + 0.3$	V
$V_{A/I/O}$	DC input voltage for USB D+/D- pins	-0.3	$V_{CC} + 0.3$	V
$V_{I/OZ}$	DC voltage applied to outputs in High Z state	-0.3	$V_{CC} + 0.3$	V
V_{ESD}	Static discharge voltage	4000		V
T_A	Ambient Temperature	0	100	°C

6.2 Recommended Operating Conditions

Item	Value
Supply Voltage	+3.3V to + 3.6V
Ground Voltage	0V
F_{osc}	12 MHz \pm 100 ppm
Operating Temperature	0°C ~ 70°C

6.3 DC Characteristics (Digital Pins)

Symbol	Description	Min	Typ	Max	Unit
P_D	Power Dissipation				mA
V_{DD}	Power Supply Voltage	3	3.3	3.6	V
I_o	DC output sink current excluding D+/ D-/ VCC/ GND	8			mA
V_{IL}	LOW level input voltage			0.9	V
V_{IH}	HIGH level input voltage	2.0			V
V_{TLH}	LOW to HIGH threshold voltage	1.3	1.43	1.56	V
V_{THL}	HIGH to LOW threshold voltage	1.3	1.43	1.56	V

Symbol	Description	Min	Typ	Max	Unit
V _{HYS}	Hysteresis voltage	-	0	-	V
V _{OL}	LOW level output voltage when I _{OL} =8mA			0.4	V
V _{OH}	HIGH level output voltage when I _{OH} =8mA	2.4			V
I _{OLK}	Leakage current for pads with internal pull up or pull down resistor			46	μA
R _{DN}	Pad internal pull down resistor	79K	105K	152K	Ohms
R _{UP}	Pad internal pull up resistor	78K	104K	146K	Ohms

6.4 DC Characteristics (D+/D-)

Symbol	Description	Min	Typ	Max	Unit
V _{OL}	D+/D- static output LOW (R _L of 1.5K to 3.6V)			0.3	V
V _{OH}	D+/D- static output HIGH (R _L of 15K to GND)	2.8		3.6	V
V _{DI}	Differential input sensitivity	0.2			V
V _{CM}	Differential common mode range	0.8		2.5	V
V _{SE}	Single-ended receiver threshold	0.2			V
C _{IN}	Transceiver capacitance			20	pF
I _{LO}	Hi-Z state data line leakage	-10		+10	μA
Z _{DRV}	Driver output resistance	28		43	Ohms

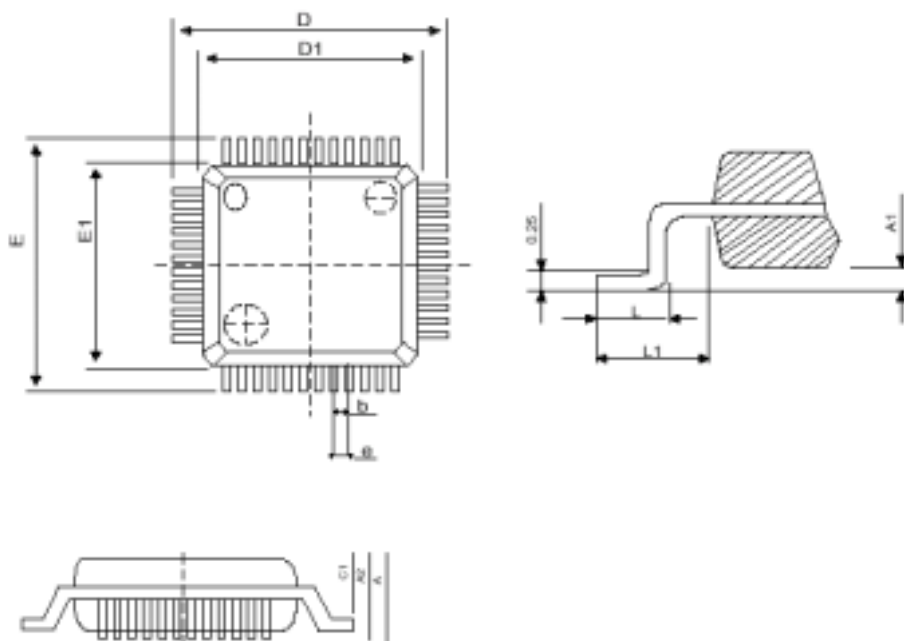
6.5 Switching Characteristics

Symbol	Description	Min	Typ	Max	Unit
F _{X1}	X1 crystal frequency	11.97	12	12.03	MHz
T _{CYC}	X1 cycle time		83.3		ns
T _{X1L}	X1 clock LOW time	0.45T _{cyc}			ns
T _{X1H}	X1 clock HIGH time	0.45T _{cyc}			ns
T _{r30pf}	Output pad rise time from 10% to 90% swing with 30pF loading				ns
T _{f30pf}	Output pad fall time from 10% to 90% swing with 30pF loading				ns

Symbol	Description	Min	Typ	Max	Unit
T_{r50pf}	Output pad rise time from 10% to 90% swing with 50pF loading				ns
T_{f50pf}	Output pad fall time from 10% to 90% swing with 50pF loading				ns
T_{rUSB}	D+/D- rise time with 50pF loading	4		20	ns
T_{fUSB}	D+/D- fall time with 50pF loading	4		20	ns

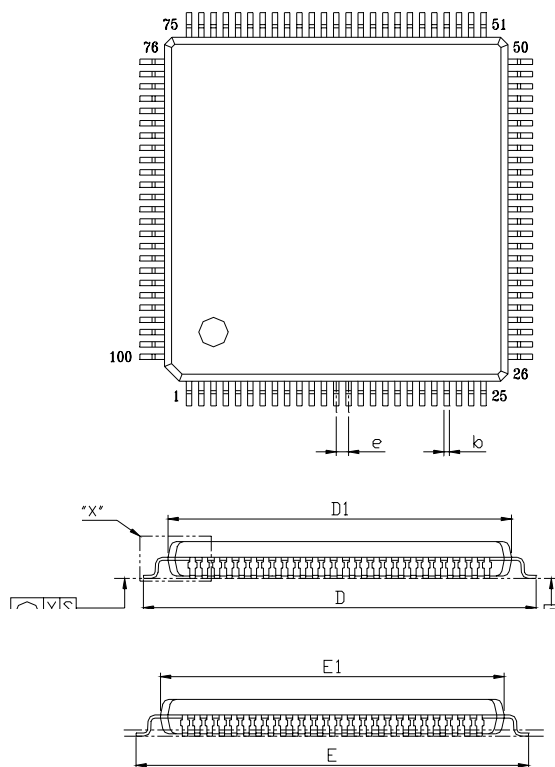
7. Package Dimension

7.1 48-pin LQFP



SYMBOL	MIN	MAX
A		1.6
A1	0.05	0.15
A2	1.35	1.45
C1	0.09	0.16
D	9.00BSC	
D1	7.00BSC	
E	9.00BSC	
E1	7.00BSC	
e	0.5BSC	
b	0.17	0.27
L	0.45	0.75
L1	1 REF	

7.2 100-pin LQFP



SYMBOL	DIMENSION (MM)			DIMENSION (MIL)		
	MIN.	NOM.	MAX.	MIN.	NOM.	MAX.
A			1.60			63
A1	0.05		0.15	2		6
A2	1.35	1.40	1.45	53	55	57
b	0.17	0.22	0.27	7	9	11
b1	0.17	0.20	0.23	7	8	9
c	0.09		0.20	4		8
c1	0.09		0.16	4		6
D	16.00 BSC			630 BSC		
D1	14.00 BSC			551 BSC		
E	16.00 BSC			630 BSC		
E1	14.00 BSC			551 BSC		
	0.50 BSC			20 BSC		
L	0.45	0.60	0.75	18	24	30
L1	1.00 REF			39 REF		
R1	0.08			3		
R2	0.08		0.20	3		8
Y			0.075			3
θ	0°	3.5°	7°	0°	3.5°	7°
θ1	0°			0°		
θ2	11°	12°	13°	11°	12°	13°
θ3	11°	12°	13°	11°	12°	13°
s	0.20			8		

8. Revision History

Version	Description	Date
1.0	First draft	2002/03/20
1.1	Correction and supplement of Electrical Characteristics data	2002/04/03
1.2	Add 100-pin LQFP package related data	2002/04/12