

# UTC3308 LINEAR INTEGRATED CIRCUIT

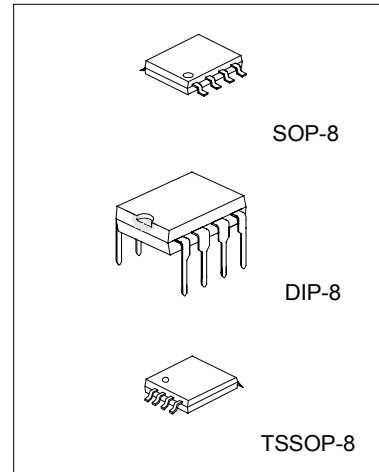
## SINGLE-SUPPLY DUAL HIGH CURRENT OPERATIONAL AMPLIFIER

### DESCRIPTION

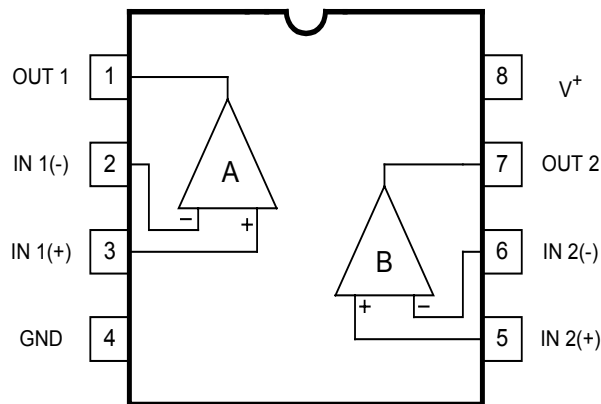
The UTC 3308 integrated circuit is a high gain, high output current, high output voltage swing dual operational amplifier capable of driving 150mA, specially for CD ROM, DVD devices.

### FEATURES

- \*Single Supply
- \*Operating Voltage (+3V~+15V) ( $\pm 1.5V \sim \pm 7.5V$ )
- \*High Output Current (150mA)
- \*High Frequency Noise Rejection
- \*Internal Enhanced Frequency Compensation



### PIN CONFIGURATIONS



# UTC3308 LINEAR INTEGRATED CIRCUIT

## ABSOLUTE MAXIMUM RATINGS (Ta=25°C)

PARAMETER	SYMBOL	VALUE	UNIT
Supply Voltage	V+	15V / ±7.5V	V
Differential Input Voltage	V <sub>ID</sub>	15	V
Input Voltage	V <sub>I</sub>	-0.3 ~ +15	V
Power Dissipation	P <sub>D</sub>	300	mW
Operating Temperature	Topr	-20 to +75	°C
Storage Temperature	Tstg	-40 to +125	°C

## ELECTRICAL CHARACTERISTICS (Ta=25°C, V<sup>+</sup>=5V)

PARAMETER	SYMBOL	TEST CONDITIONS	MIN	TYP	MAX	UNIT
Input Offset Voltage	V <sub>IO</sub>	R <sub>S</sub> =0Ω		2	5	mV
Input Offset Current	I <sub>IO</sub>			5	100	nA
Input Bias Current	I <sub>B</sub>			100	500	nA
Large Signal Voltage Gain	A <sub>V</sub>	R <sub>L</sub> =2kΩ	88	100		dB
Input Common Voltage Range	V <sub>ICM</sub>		V <sup>+</sup> -2			V
Maximum Output Voltage Swing 1	V <sub>OM1</sub>	R <sub>L</sub> >=2kΩ	3.5			V
Maximum Output Voltage Swing 2	V <sub>OM2</sub>	I <sub>O</sub> =70mA	3.2			V
Common Mode Rejection Ratio	CMR		80	90		dB
Supply Voltage Rejection Ratio	SVR		80	90		dB
Operating Current	I <sub>CC</sub>	R <sub>L</sub> =∞	3	4	5	mA
Slew Rate	SR			1.0		V/μs
Unity Gain Bandwidth	GB			1.3		MHz
Operating Voltage Range	V <sup>+</sup>				15	V