

## PWM/VFM step-down DC/DC Converter R1224N Series

### ■ OUTLINE

The R1224N Series are CMOS-based PWM step-down DC/DC Converter controllers with low supply current.

Each of these ICs consists of an oscillator, a PWM control circuit, a reference voltage unit, an error amplifier, a phase compensation circuit, a soft-start circuit, a protection circuit, a PWM/VFM alternative circuit, a chip enable circuit, resistors for output voltage detect, and input voltage detect circuit. A low ripple, high efficiency step-down DC/DC converter can be easily composed of this IC with only several external components, or a power-transistor, an inductor, a diode and capacitors. Output Voltage is fixed or can be adjusted with external resistors (Adjustable types are without PWM/VFM alternative circuit).

With a PWM/VFM alternative circuit, when the load current is small, the operation is automatically switching into the VFM oscillator from PWM oscillator. Therefore, the efficiency at small load current is improved. Several types of the R1224N XXX, which are without a PWM/VFM alternative circuit, are also available.

If the term of maximum duty cycle keeps on a certain time, the embedded protection circuit works. The protection circuit is Reset-type protection circuit, and it works to restart the operation with soft-start and repeat this operation until maximum duty cycle condition is released. When the cause of large load current or something else is removed, the operation is automatically released and returns to normal operation.

Further, built-in UVLO function works when the input voltage is equal or less than UVLO threshold, it makes this IC be standby and suppresses the consumption current and avoid an unstable operation.

### ■ FEATURES

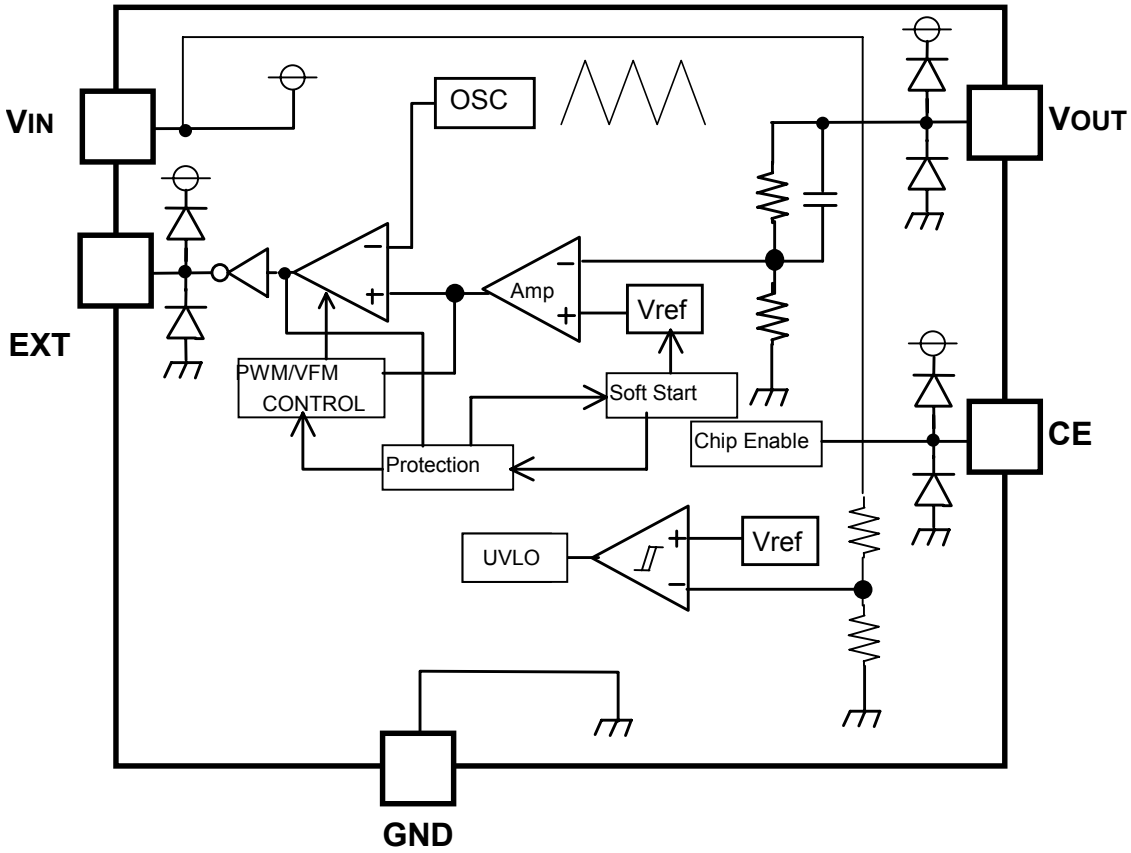
- Range of Input Voltage .....●2.3V~18.5V
- Built-in Soft-start Function and Protection Function (Reset type protection)
- Three options of Oscillator Frequency .....●180kHz, 300kHz, 500kHz
- High Efficiency .....●TYP. 90%
- Output Voltage ..... Stepwise Setting with a step of 0.1V in the range of 1.2V to 6.0V as fixed voltage type. Reference Voltage of Adjustable Type is 1.0V
- Standby Current .....●TYP. 0.0μA
- High Accuracy Output Voltage .....●±2.0%
- Low Temperature-Drift Coefficient of Output Voltage .....● TYP. ±100ppm/°C

### ■ APPLICATIONS

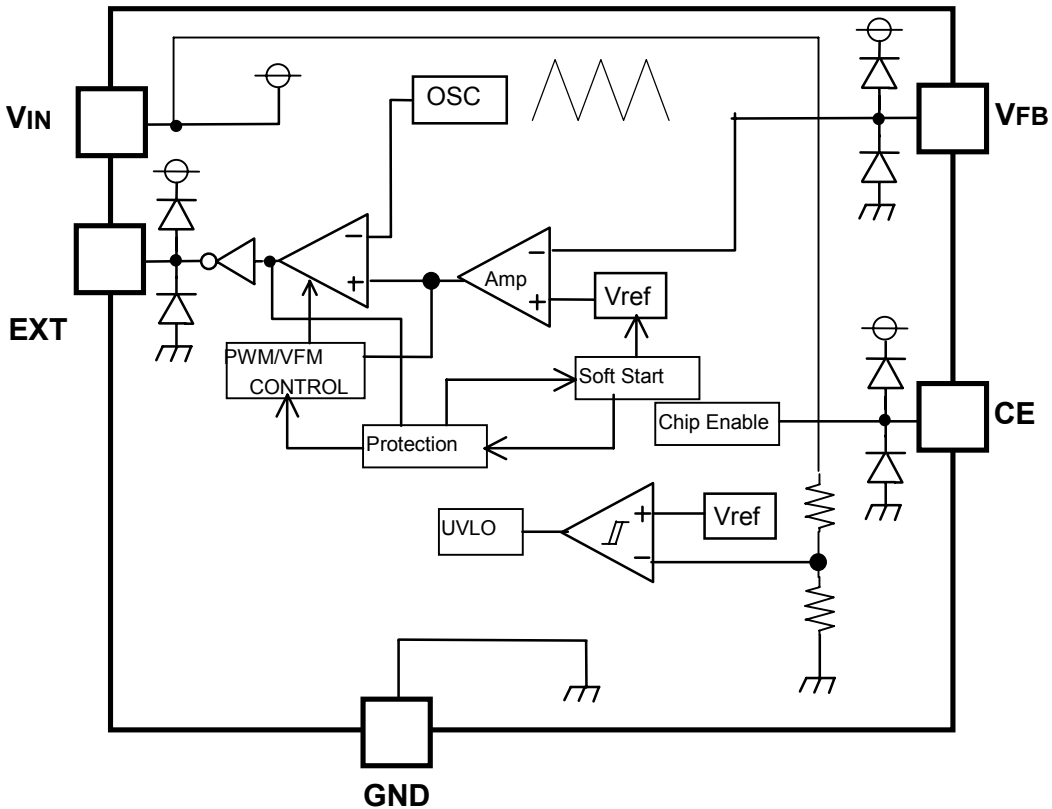
- Power source for hand-held communication equipment, cameras, video instruments such as VCRs, camcorders.
- Power source for battery-powered equipment.
- Power source for household electrical appliances.

## ■ BLOCK DIAGRAM

\*Fixed Output Voltage Type



\*Adjustable Output Voltage Type



## SELECTION GUIDE

In the R1224N Series, the output voltage, the oscillator frequency, the optional function, and the taping type for the ICs can be selected at the user's request.

The selection can be made with designating the part number as shown below;

R1224NXX2X-XX

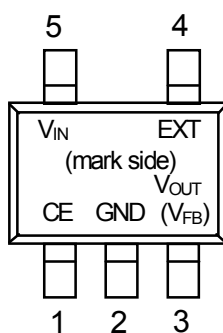
↑ ↑ ↑ ↑

a b c d

| Code | Contents  |
|------|---|
| a    | Setting Output Voltage(V <sub>OUT</sub> ):<br>Stepwise setting with a step of 0.1V in the range of 1.2V to 6.0V is possible.<br>Adjustable type; a=10 means Reference voltage=1.0V Optional Function is G/H/M.  |
| b    | Designation of Oscillator Frequency<br>2 : fixed  |
| c    | Designation of Optional Function<br>E : 300kHz, with a PWM/VFM alternative circuit<br>F : 500kHz, with a PWM/VFM alternative circuit<br>G : 300kHz, without a PWM/VFM alternative circuit<br>H : 500kHz, without a PWM/VFM alternative circuit<br>L : 180kHz, with a PWM/VFM alternative circuit<br>M : 180kHz, without a PWM/VFM alternative circuit |
| d    | Designation of Taping Type; Ex. :TR,TL(refer to Taping Specification)<br>"TR" is prescribed as a standard.  |

## PIN CONFIGURATION

### ● SOT-23-5



## PIN DESCRIPTION

| Pin No. | Symbol                                | Description   |
|---------|---------------------------------------|---|
| 1       | CE                                    | Chip Enable Pin (Active with "H")                   |
| 2       | GND                                   | Ground Pin  |
| 3       | V <sub>OUT</sub> / (V <sub>FB</sub> ) | Pin for Monitoring Output Voltage(Feedback Voltage) |
| 4       | EXT                                   | External Transistor Drive Pin(CMOS Output)          |
| 5       | V <sub>IN</sub>                       | Power Supply Pin                                    |

---

---

## ■ ABSOLUTE MAXIMUM RATINGS

(GND=0V)

| Symbol                               | Item  | Rating                    | Unit |
|--------------------------------------|---|---------------------------|------|
| V <sub>IN</sub>                      | V <sub>IN</sub> Supply Voltage                      | 20                        | V    |
| V <sub>EXT</sub>                     | EXT Pin Output Voltage                              | -0.3~V <sub>IN</sub> +0.3 | V    |
| V <sub>CE</sub>                      | CE Pin Input Voltage                                | -0.3~V <sub>IN</sub> +0.3 | V    |
| V <sub>OUT</sub> /(V <sub>FB</sub> ) | V <sub>OUT</sub> /V <sub>FB</sub> Pin Input Voltage | -0.3~V <sub>IN</sub> +0.3 | V    |
| I <sub>EXT</sub>                     | EXT Pin Inductor Drive Output Current               | ±50                       | mA   |
| P <sub>D</sub>                       | Power Dissipation                                   | 250                       | mW   |
| T <sub>opt</sub>                     | Operating Temperature Range                         | -40~+85                   | °C   |
| T <sub>stg</sub>                     | Storage Temperature Range                           | -55~+125                  | °C   |

## ELECTRICAL CHARACTERISTICS

●R1224Nxx2X (X=E/F/G/H/L/M) except R1224N102X

(Topt=25°C)

| Symbol                    | Item  | Conditions   | MIN.                       | TYP.                       | MAX.                       | Unit       |
|---------------------------|---|--|----------------------------|----------------------------|----------------------------|------------|
| V <sub>IN</sub>           | Operating Input Voltage                             |  | 2.3                        |                            | 18.5                       | V          |
| V <sub>OUT</sub>          | Step-down Output Voltage                            | V <sub>IN</sub> =V <sub>C</sub> E+V <sub>SET</sub> +1.5V, I <sub>OUT</sub> =-100mA<br>When V <sub>SET</sub> ≤2.0, then V <sub>IN</sub> =V <sub>C</sub> E=3.5V  | V <sub>SET</sub> ×<br>0.98 | V <sub>SET</sub>           | V <sub>SET</sub> ×<br>1.02 | V          |
| ΔV <sub>OUT</sub> /<br>ΔT | Step-down Output Voltage<br>Temperature Coefficient | -40°C ≤ Topt ≤ 85°C  |                            | ±100                       |                            | ppm<br>/°C |
| fosc                      | Oscillator Frequency                                | V <sub>IN</sub> =V <sub>C</sub> E=V <sub>SET</sub> +1.5V, I <sub>OUT</sub> =-100mA<br>When V <sub>SET</sub> ≤2.0, then V <sub>IN</sub> =V <sub>C</sub> E=3.5V<br>L/M version<br>E/G version<br>F/H version | 144<br>240<br>400          | 180<br>300<br>500          | 216<br>360<br>600          | kHz        |
| Δfosc/<br>ΔT              | Oscillator Frequency<br>Temperature Coefficient     | -40°C ≤ Topt ≤ 85°C  |                            | ±0.2                       |                            | %<br>/°C   |
| I <sub>DD1</sub>          | Supply Current1                                     | V <sub>IN</sub> =V <sub>C</sub> E=V <sub>OUT</sub> =18.5V<br>E/F/L/M version<br>G version<br>H version   |                            | 20<br>30<br>40             | 50<br>70<br>90             | μA         |
| I <sub>stb</sub>          | Standby Current                                     | V <sub>IN</sub> =18.5V, V <sub>C</sub> E=0V, V <sub>OUT</sub> =0V  |                            | 0.0                        | 0.5                        | μA         |
| I <sub>EXTH</sub>         | EXT "H" Output Current                              | V <sub>IN</sub> =8V, V <sub>EXT</sub> =7.9V, V <sub>OUT</sub> =8V, V <sub>C</sub> E=8V   |                            | -17                        |                            | mA         |
| I <sub>EXTL</sub>         | EXT "L" Output Current                              | V <sub>IN</sub> =8V, V <sub>EXT</sub> =0.1V, V <sub>OUT</sub> =0V, V <sub>C</sub> E=8V   |                            | 30                         |                            | mA         |
| I <sub>CEH</sub>          | CE "H" Input Current                                | V <sub>IN</sub> =V <sub>C</sub> E=V <sub>OUT</sub> =18.5V  |                            | 0.0                        | 0.5                        | μA         |
| I <sub>CEL</sub>          | CE "L" Input Current                                | V <sub>IN</sub> = V <sub>OUT</sub> =18.5V, V <sub>C</sub> E=0V   | -0.5                       | 0.0                        |                            | μA         |
| V <sub>CEH</sub>          | CE "H" Input Voltage                                | V <sub>IN</sub> =8V, V <sub>OUT</sub> =0V  | 1.5                        |                            |                            | V          |
| V <sub>CEL</sub>          | CE "L" Input Voltage                                | V <sub>IN</sub> =8V, V <sub>OUT</sub> =0V  |                            |                            | 0.3                        | V          |
| Maxdty                    | Oscillator Maximum Duty Cycle                       |  | 100                        |                            |                            | %          |
| VFMdty                    | VFM Duty Cycle                                      | E/F/L version  |                            | 35                         |                            | %          |
| V <sub>UVLO1</sub>        | UVLO Voltage  | V <sub>IN</sub> =V <sub>C</sub> E=2.5V to 1.5V, V <sub>OUT</sub> =0V   | 1.9                        | 2.0                        | 2.2                        | V          |
| V <sub>UVLO2</sub>        | UVLO Release Voltage                                | V <sub>IN</sub> =V <sub>C</sub> E=1.5V to 2.5V, V <sub>OUT</sub> =0V   |                            | V <sub>UVLO1</sub><br>+0.1 | 2.3                        | V          |
| T <sub>start</sub>        | Delay Time by Soft-Start function                   | V <sub>IN</sub> =V <sub>SET</sub> +1.5V, I <sub>OUT</sub> =-10mA<br>V <sub>C</sub> E=0V->V <sub>SET</sub> +1.5V  |                            | 10                         |                            | ms         |
| T <sub>prot</sub>         | Delay Time for protection circuit                   | V <sub>IN</sub> =V <sub>C</sub> E=V <sub>SET</sub> +1.5V<br>V <sub>OUT</sub> =V <sub>SET</sub> +1.5V->0V   |                            | 15                         |                            | ms         |

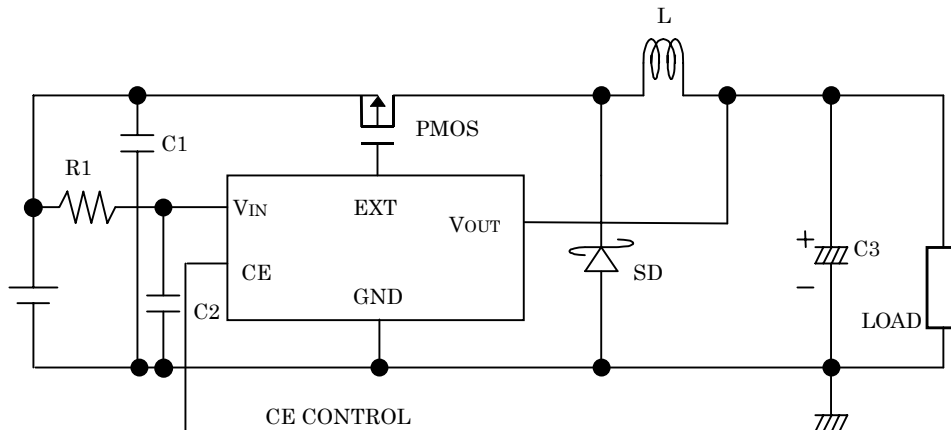
●R1224N102X (X=G/H/M)

(Topt=25°C)

| Symbol                   | Item  | Conditions   | MIN.              | TYP.                       | MAX.              | Unit       |
|--------------------------|---|--|-------------------|----------------------------|-------------------|------------|
| V <sub>IN</sub>          | Operating Input Voltage                         |  | 2.3               |                            | 18.5              | V          |
| V <sub>FB</sub>          | Feedback Voltage                                | V <sub>IN</sub> =V <sub>CE</sub> =3.5V, I <sub>FB</sub> =-100mA  | 0.98              | 1.00                       | 1.02              | V          |
| ΔV <sub>FB</sub> /<br>ΔT | Feedback Voltage<br>Temperature Coefficient     | -40°C ≤ Topt ≤ 85°C  |                   | ±100                       |                   | ppm<br>/°C |
| fosc                     | Oscillator Frequency                            | V <sub>IN</sub> =V <sub>CE</sub> =3.5V, I <sub>FB</sub> =-100mA<br>M version<br>G version<br>H version | 144<br>240<br>400 | 180<br>300<br>500          | 216<br>360<br>600 | kHz        |
| Δfosc/<br>ΔT             | Oscillator Frequency<br>Temperature Coefficient | -40°C ≤ Topt ≤ 85°C  |                   | ±0.2                       |                   | %<br>/°C   |
| I <sub>DD1</sub>         | Supply Current1                                 | V <sub>IN</sub> =V <sub>CE</sub> =V <sub>FB</sub> =18.5V<br>M version<br>G version<br>H version        |                   | 20<br>30<br>40             | 50<br>70<br>90    | μA         |
| I <sub>stb</sub>         | Standby Current                                 | V <sub>IN</sub> =18.5V, V <sub>CE</sub> =0V, V <sub>FB</sub> =0V                                       |                   | 0.0                        | 0.5               | μA         |
| I <sub>EXTH</sub>        | EXT "H" Output Current                          | V <sub>IN</sub> =8V, V <sub>EXT</sub> =7.9V, V <sub>FB</sub> =8V, V <sub>CE</sub> =8V                  |                   | -17                        |                   | mA         |
| I <sub>EXTL</sub>        | EXT "L" Output Current                          | V <sub>IN</sub> =8V, V <sub>EXT</sub> =0.1V, V <sub>FB</sub> =0V, V <sub>CE</sub> =8V                  |                   | 30                         |                   | mA         |
| I <sub>CEH</sub>         | CE "H" Input Current                            | V <sub>IN</sub> =V <sub>CE</sub> =V <sub>FB</sub> =18.5V   |                   | 0.0                        | 0.5               | μA         |
| I <sub>CEL</sub>         | CE "L" Input Current                            | V <sub>IN</sub> = V <sub>FB</sub> =18.5V, V <sub>CE</sub> =0V  | -0.5              | 0.0                        |                   | μA         |
| V <sub>CEH</sub>         | CE "H" Input Voltage                            | V <sub>IN</sub> =8V, V <sub>FB</sub> =0V   | 1.5               |                            |                   | V          |
| V <sub>CEL</sub>         | CE "L" Input Voltage                            | V <sub>IN</sub> =8V, V <sub>FB</sub> =0V   |                   |                            | 0.3               | V          |
| Maxdty                   | Oscillator Maximum Duty Cycle                   |  | 100               |                            |                   | %          |
| V <sub>UVLO1</sub>       | UVLO Voltage                                    | V <sub>IN</sub> =V <sub>CE</sub> =2.5V to 1.5V, V <sub>FB</sub> =0V                                    | 1.9               | 2.0                        | 2.2               | V          |
| V <sub>UVLO2</sub>       | UVLO Release Voltage                            | V <sub>IN</sub> =V <sub>CE</sub> =1.5V to 2.5V, V <sub>FB</sub> =0V                                    |                   | V <sub>UVLO1</sub><br>+0.1 | 2.3               | V          |
| T <sub>start</sub>       | Delay Time by Soft-Start function               | V <sub>IN</sub> =2.5V, I <sub>FB</sub> =-10mA<br>V <sub>CE</sub> =0V->2.5V                             |                   | 10                         |                   | ms         |
| T <sub>prot</sub>        | Delay Time for protection circuit               | V <sub>IN</sub> =V <sub>CE</sub> =2.5V<br>V <sub>FB</sub> =2.5V->0V                                    |                   | 15                         |                   | ms         |

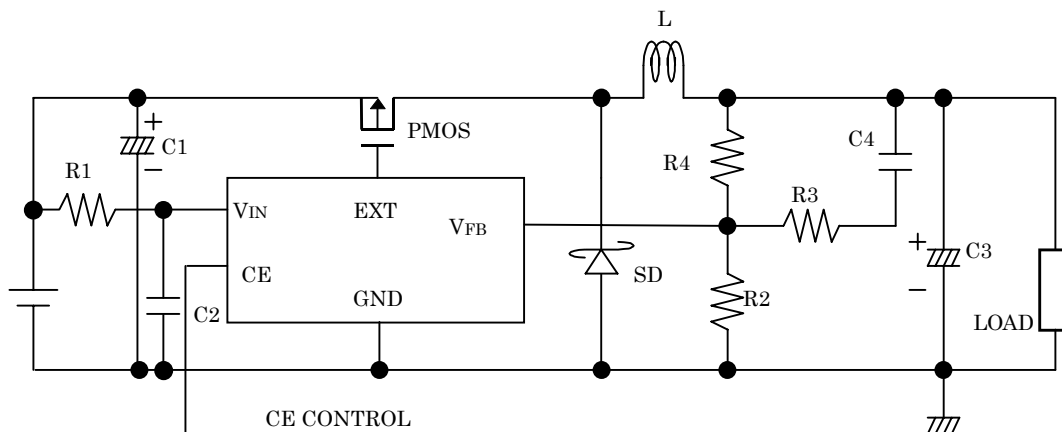
## ■ TYPICAL APPLICATION AND APPLICATION HINTS

(1) Fixed Output Voltage Type(R1224Nxx2E/F/G/H/L/M except xx=10)



PMOS: HAT1044M (Hitachi) L: CR105-270MC (Sumida, 27 $\mu$ H)  
 SD1: RB063L-30 (Rohm) C3: 47 $\mu$ F (Tantalum Type)  
 C1: 10 $\mu$ F (Ceramic Type) C2: 0.1 $\mu$ F (Ceramic Type)  
 R1: 10 $\Omega$

(2) Adjustable Output Type (R1224N102G/H/M) Example: Output Voltage=3.2V



PMOS: HAT1044M (Hitachi) L: CR105-270MC (Sumida, 27 $\mu$ H)  
 SD1: RB063L-30 (Rohm) C3: 47 $\mu$ F (Tantalum Type)  
 C1: 10 $\mu$ F (Ceramic Type) C2: 0.1 $\mu$ F (Ceramic Type) C4: 2200pF (Ceramic Type)  
 R1: 10 $\Omega$ , R2=10k $\Omega$ , R3=2.7k $\Omega$ , R4=22k $\Omega$

When you use these ICs, consider the following issues;

- As shown in the block diagram, a parasitic diode is formed in each terminal, each of these diodes is not formed for load current, therefore do not use it in such a way. When you control the CE pin by another power supply, do not make its "H" level more than the voltage level of VIN pin.
- Set external components as close as possible to the IC and minimize the connection between the components and the IC. In particular, a capacitor should be connected to VOUT pin with the minimum connection. And make sufficient grounding and reinforce supplying. A large switching current could flow through the connection of power supply, an inductor and the connection of VOUT. If the impedance of the connection of power supply is high, the voltage level of power supply of the IC fluctuates with the switching current. This may cause unstable operation of the IC.
- Protection circuit may work if the maximum duty cycle continue for the time defined in the electrical characteristics. Once after stopping the output voltage, output will restart with soft-start operation. If the difference between input voltage and output voltage is small, the protection circuit may work.

- Use capacitors with a capacity of 22μF or more for VOUT pin, and with good high frequency characteristics such as tantalum capacitors. We recommend you to use output capacitors with an allowable voltage at least twice as much as setting output voltage. This is because there may be a case where a spike-shaped high voltage is generated by an inductor when an external transistor is on and off.

- Choose an inductor that has sufficiently small D.C. resistance and large allowable current and is hard to reach magnetic saturation. And if the value of inductance of an inductor is extremely small, the ILX may exceed the absolute maximum rating at the maximum loading.

Use an inductor with appropriate inductance.

- Use a diode of a Schottky type with high switching speed, and also pay attention to its current capacity.

- Do not use this IC under the condition with VIN voltage at equal or less than minimum operating voltage.

☆ The performance of power source circuits using these ICs extremely depends upon the peripheral circuits. Pay attention in the selection of the peripheral circuits. In particular, design the peripheral circuits in a way that the values such as voltage, current, and power of each component, PCB patterns and the IC do not exceed their respected rated values.

### ■ How to Adjust Output Voltage and about Phase Compensation

As for Adjustable Output type, feedback pin (VFB) voltage is controlled to maintain 1.0V.

Output Voltage, VOUT is as following equation:

$$V_{OUT} = V_{FB} \times (R2 + R4) / R2$$

$$V_{OUT} = V_{FB} \times (R2 + R4) / R2$$

Thus, with changing the value of R2 and R4, output voltage can be set in the specified range.

In the DC/DC converter, with the load current and external components such as L and C, phase might be behind 180 degree. In this case, the phase margin of the system will be less and stability will be worse. To prevent this, phase margin should be secured with proceeding the phase. A pole is formed with external components L and C3.

$$F_{pole} \sim 1 / 2\pi \sqrt{L \times C3}$$

A zero (signal back to zero) is formed with R4 and C4.

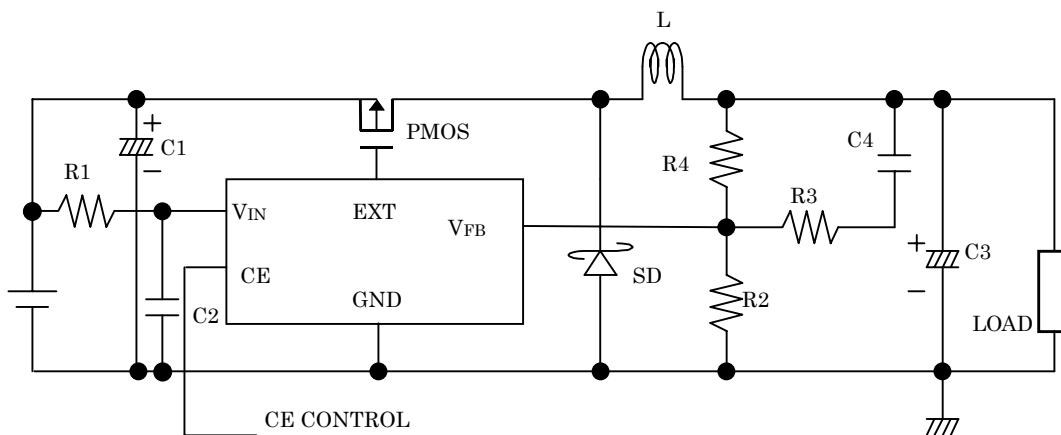
$$F_{zero} \sim 1 / (2\pi \times R4 \times C4)$$

For example, if L=27μH, C3=47μF, the cut off frequency of the pole is approximately 4.5kHz.

To make the cut off frequency of the pole as much as 4.5kHz, set R4=33kΩ and C4=1000pF.

If VOUT is set at 2.5V, R2=22kΩ is appropriate.

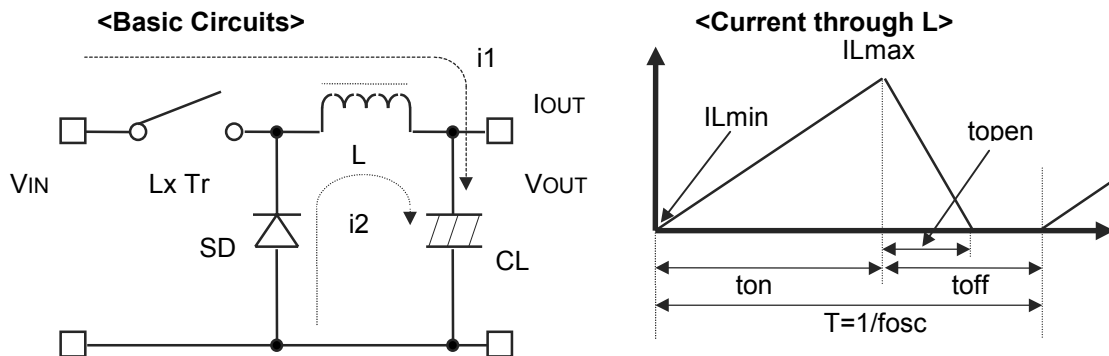
R3 prevents feedback of the noise to VFB pin, about 2.7kΩ is appropriate value.





## ■ OPERATION of step-down DC/DC converter and Output Current

The step-down DC/DC converter charges energy in the inductor when Lx transistor is ON, and discharges the energy from the inductor when Lx transistor is OFF and controls with less energy loss, so that a lower output voltage than the input voltage is obtained. The operation will be explained with reference to the following diagrams:



Step 1: Lx Tr. turns on and current  $I_L (=i_1)$  flows, and energy is charged into CL. At this moment,  $I_L$  increases from  $I_{Lmin}$ . ( $=0$ ) to reach  $I_{Lmax}$ . in proportion to the on-time period( $t_{on}$ ) of LX Tr.

Step 2: When Lx Tr. turns off, Schottky diode (SD) turns on in order that L maintains  $I_L$  at  $I_{Lmax}$ , and current  $I_L (=i_2)$  flows.

Step 3:  $I_L$  decreases gradually and reaches  $I_{Lmin}$ . after a time period of  $t_{open}$ , and SD turns off, provided that in the continuous mode, next cycle starts before  $I_L$  becomes to 0 because  $t_{off}$  time is not enough. In this case,  $I_L$  value is from this  $I_{Lmin}$  ( $>0$ ).

In the case of PWM control system, the output voltage is maintained by controlling the on-time period ( $t_{on}$ ), with the oscillator frequency ( $f_{osc}$ ) being maintained constant.

### ● Discontinuous Conduction Mode and Continuous Conduction Mode

The maximum value ( $I_{Lmax}$ ) and the minimum value ( $I_{Lmin}$ ) current which flow through the inductor is the same as those when Lx Tr. is ON and when it is OFF.

The difference between  $I_{Lmax}$  and  $I_{Lmin}$ , which is represented by  $\Delta I$ ;

$$\Delta I = I_{Lmax} - I_{Lmin} = V_{OUT} \times t_{open} / L = (V_{IN} - V_{OUT}) \times t_{on} / L \dots \text{Equation 1}$$

wherein,  $T = 1/f_{osc} = t_{on} + t_{off}$

$$\text{duty (\%)} = t_{on} / T \times 100 = t_{on} \times f_{osc} \times 100$$

$$t_{open} \leq t_{off}$$

In Equation 1,  $V_{OUT} \times t_{open} / L$  and  $(V_{IN} - V_{OUT}) \times t_{on} / L$  are respectively shown the change of the current at ON, and the change of the current at OFF.

When the output current ( $I_{OUT}$ ) is relatively small,  $t_{open} < t_{off}$  as illustrated in the above diagram. In this case, the energy is charged in the inductor during the time period of  $t_{on}$  and is discharged in its entirely during the time period of  $t_{off}$ , therefore  $I_{Lmin}$  becomes to zero ( $I_{Lmin} = 0$ ). When  $I_{OUT}$  is gradually increased, eventually,  $t_{open}$  becomes to  $t_{off}$  ( $t_{open} = t_{off}$ ), and when  $I_{OUT}$  is further increased,  $I_{Lmin}$  becomes larger than zero ( $I_{Lmin} > 0$ ). The former mode is referred to as the discontinuous mode and the latter mode is referred to as continuous mode.

In the continuous mode, when Equation 1 is solved for  $t_{on}$  and assumed that the solution is  $t_{onc}$ ,

$$t_{onc} = T \times V_{OUT} / V_{IN} \dots \text{Equation 2}$$

When  $t_{on} < t_{onc}$ , the mode is the discontinuous mode, and when  $t_{on} = t_{onc}$ , the mode is the continuous mode.

---

---

## ■ OUTPUT CURRENT AND SELECTION OF EXTERNAL COMPONENTS

When Lx Tr. is ON:

(Wherein, Ripple Current P-P value is described as IRP, ON resistance of LX Tr. is described as Rp the direct current of the inductor is described as RL.)

$$V_{IN} = V_{OUT} + (R_p + R_L) \times I_{OUT} + L \times I_{RP} / t_{on} \dots \text{Equation 3}$$

When Lx Tr. is OFF:

$$L \times I_{RP} / t_{off} = V_F + V_{OUT} + R_L \times I_{OUT} \dots \text{Equation 4}$$

Put Equation 4 to Equation 3 and solve for ON duty,  $t_{on} / (t_{off} + t_{on}) = D_{ON}$ ,

$$D_{ON} = (V_{OUT} + V_F + R_L \times I_{OUT}) / (V_{IN} + V_F - R_p \times I_{OUT}) \dots \text{Equation 5}$$

Ripple Current is as follows;

$$I_{RP} = (V_{IN} - V_{OUT} - R_p \times I_{OUT} - R_L \times I_{OUT}) \times D_{ON} / f \times L \dots \text{Equation 6}$$

Wherein, peak current that flows through L, Lx Tr., and SD is as follows;

$$I_{Lmax} = I_{OUT} + I_{RP} / 2 \dots \text{Equation 7}$$

Consider ILmax, condition of input and output and select external components.

★The above explanation is directed to the calculation in an ideal case in continuous mode.

## ■ External Components

### 1. Inductor

Select an inductor that peak current does not exceed ILmax. If larger current than allowable current flows, magnetic saturation occurs and make transform efficiency worse.

When the load current is definite, the smaller value of L, the larger the ripple current.

Provided that the allowable current is large in that case and DC current is small, therefore, for large output current, efficiency is better than using an inductor with a large value of L and vice versa.

### 2. Diode

Use a diode with low VF (Schottky type is recommended.) and high switching speed.

Reverse voltage rating should be more than VIN and current rating should be equal or more than ILmax.

### 3. Capacitors

As for CIN, use a capacitor with low ESR (Equivalent Series Resistance) and a capacity of at least 10μF for stable operation.

COU can reduce ripple of Output Voltage, therefore 47μF or more value of tantalum type capacitor is recommended.

### 4. Lx Transistor

Pch Power MOSFET is required for this IC.

Its breakdown voltage between gate and source should be a few V higher than Input Voltage.

In the case of Input Voltage is low, to turn on MOSFET completely, to use a MOSFET with low threshold voltage is effective.

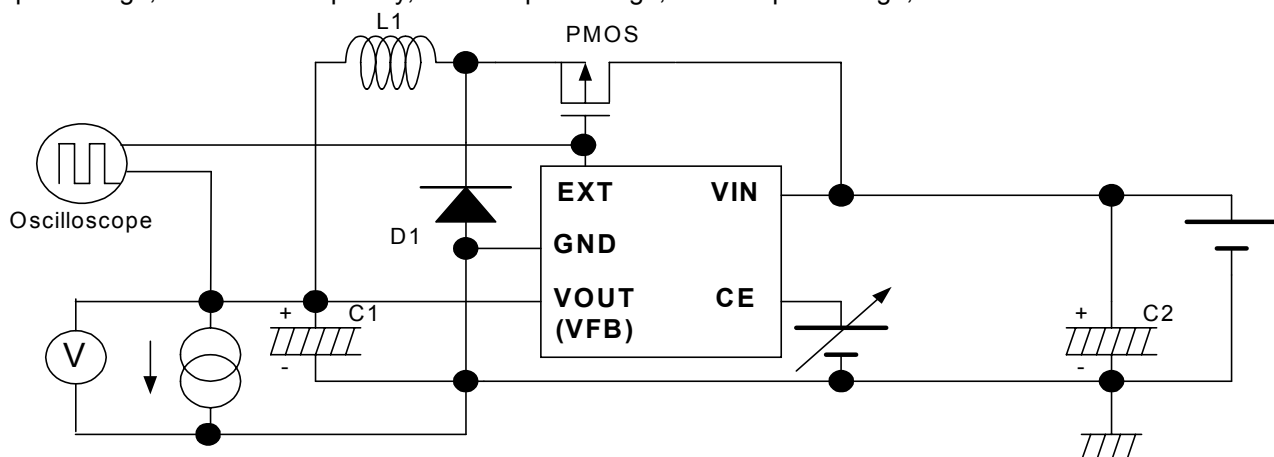
If a large load current is necessary for your application and important, choose a MOSFET with low ON resistance for good efficiency.

If a small load current is mainly necessary for your application, choose a MOSFET with low gate capacity for good efficiency.

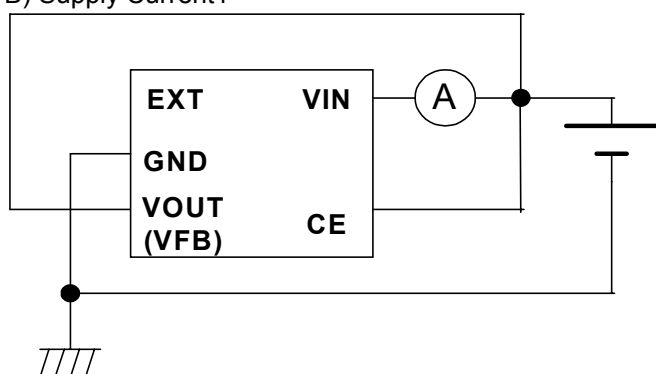
Maximum continuous drain current of MOSFET should be larger than peak current, ILmax.

## ■ TEST CIRCUITS

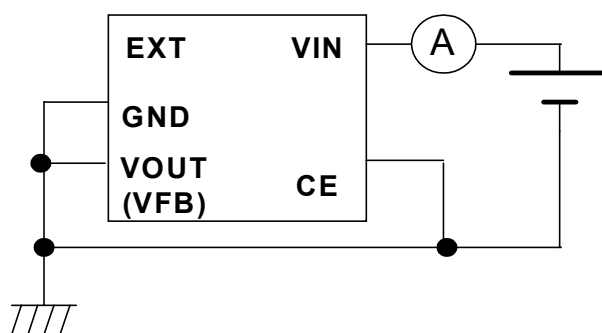
A) Output Voltage, Oscillator Frequency, CE“H” Input Voltage, CE“L” Input Voltage, Soft-start time



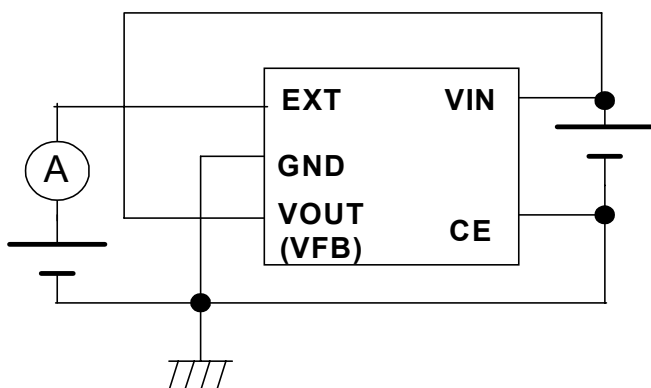
B) Supply Current1



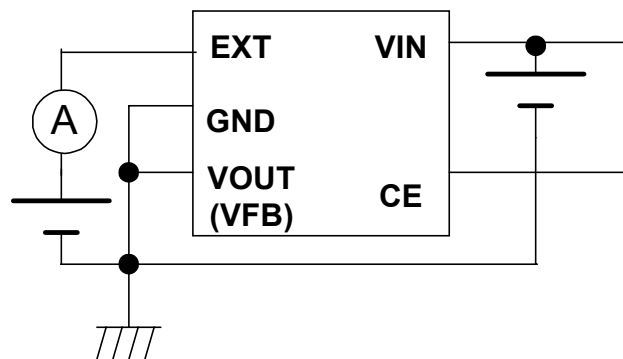
C) Standby Current



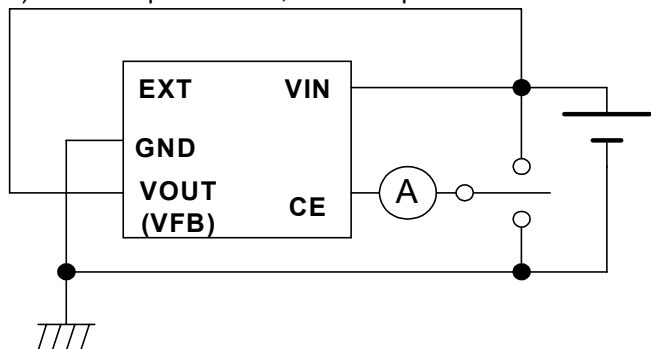
D) EXT “H” Output Current



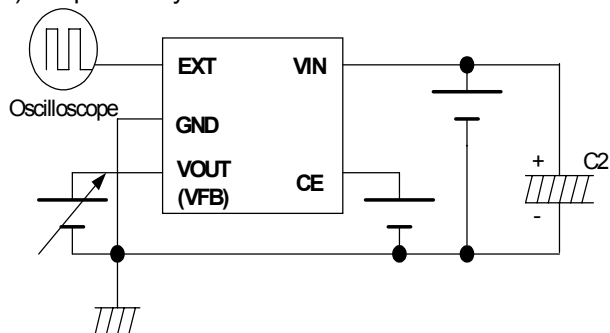
E) EXT “L” Output Current



F) CE “H” Input Current, CE “L” Input Current



G) Output Delay Time for Protection Circuit



PMOS: HAT1044M (Hitachi) L: CD104-270MC (Sumida, 27 $\mu$ H)

SD1: RB491D (Rohm)

C1: 47 $\mu$ F (Tantalum Type) C2: 47 $\mu$ F (Tantalum Type)