

APL3015F3C

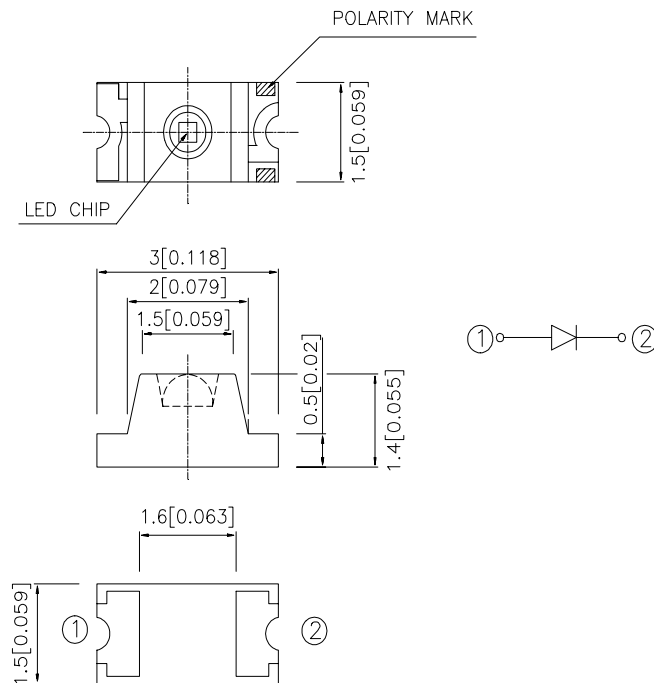
Features

- 3.0mmx1.5mm SMT LED, 1.4mm THICKNESS.
- LOW POWER CONSUMPTION.
- WIDE VIEWING ANGLE.
- IDEAL FOR BACKLIGHT AND INDICATOR.
- VARIOUS COLORS AND LENS TYPES AVAILABLE.
- PACKAGE : 2000PCS / REEL.

Description

F3 Made with Gallium Arsenide Infrared Emitting diodes.

Package Dimensions



Notes:

1. All dimensions are in millimeters (inches).
2. Tolerance is ± 0.2 (0.0079") unless otherwise noted.
3. Specifications are subject to change without notice.

Selection Guide

Part No.	Dice	Lens Type	Po (mW/sr) @ 20 mA		Viewing Angle
			Min.	Typ.	θ1/2
APL3015F3C	GaAs	WATER CLEAR	0.4	1.2	70°

Note:

1. θ1/2 is the angle from optical centerline where the luminous intensity is 1/2 the optical centerline value.

Electrical / Optical Characteristics at T_A=25°C

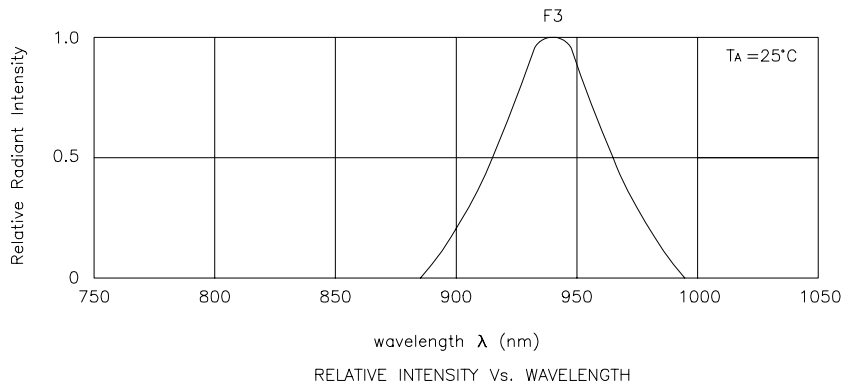
Item	P/N	Symbol	Typ.	Max.	Unit	Condition
Forward Voltage	F3	V _F	1.2	1.6	V	I _F =20mA
Reverse Current	F3	I _R	-	10	μA	V _R =5V
Capacitance	F3	C	90	-	pF	V _F =0V; f=1MHz
Peak Wavelength	F3	λ _P	940	-	nm	I _F =20mA
Spectral Line Half-width	F3	Δλ _{1/2}	50	-	nm	I _F =20mA

Absolute Maximum Ratings at T_A=25°C

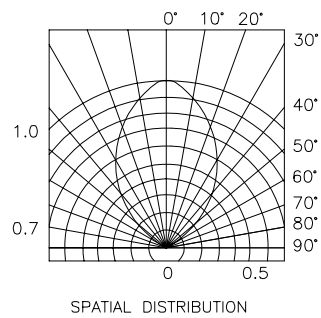
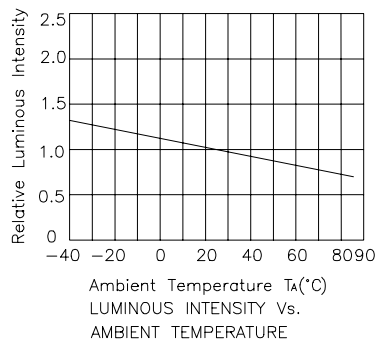
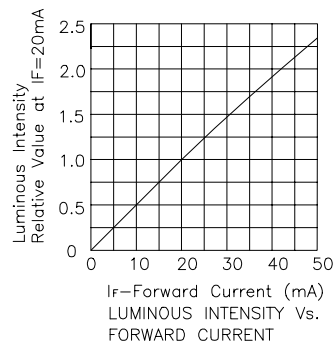
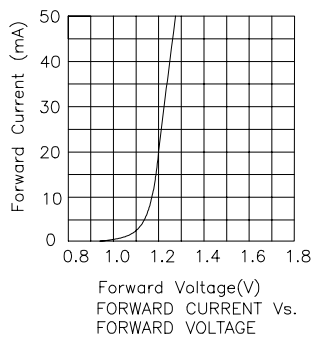
Item	Symbol	F3	Units
Power Dissipation	P _T	100	mW
DC Forward Current	I _F	50	mA
Peak Forward Current [1]	i _{FS}	1.2	A
Reverse Voltage	V _R	5	V
Operating /Storage Temperature		-40° C To +85°C	

Note:

1. 1/100 Duty Cycle, 10us Pluse Width.

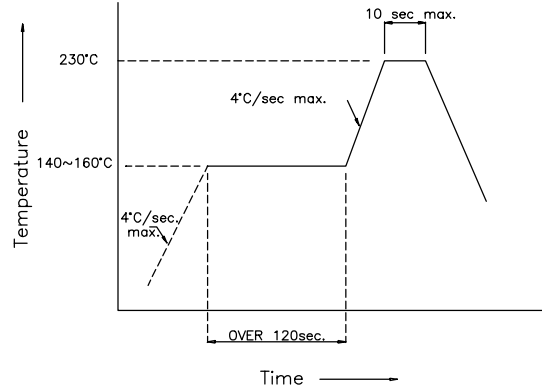


APL3015F3C

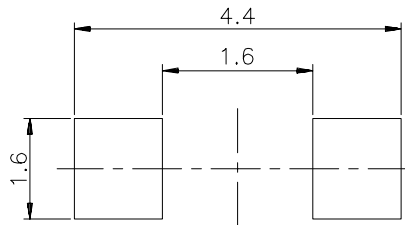


APL3015F3C SMT Reflow Soldering Instructions

Number of reflow process shall be less than 2 times and cooling process to normal temperature is required between first and second soldering process.



Recommended Soldering Pattern (Units : mm)



Tape Specifications (Units : mm)

