

Description

The SE5166 series of fixed output low dropout linear regulators are designed for portable battery powered applications, which require low dropout voltage and low ground current. Each device contains a voltage reference unit, an error amplifier, a PMOS power transistor, and resistors for setting output voltage, and current limit and temperature limit protection circuits.

The SE5166 has been designed to be used with low cost capacitors and requires a minimum output capacitor of 1.0 μ F. Standard voltage versions are 1.5, 1.8, 2.5, 2.8, 3.0, and 3.3V.

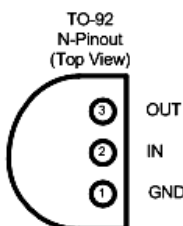
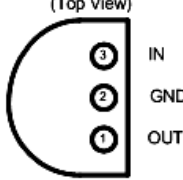
Features

- Typical Low Dropout Voltage of 203mV at 75mA.
- Guaranteed 150mA output over the full operating temperature range.
- Excellent Line and Load Regulation.
- High Accuracy Output Voltage of 2%.
- Typical Low Ground Current at 1mA
- Current Limiting and Thermal Protection.
- Standard SOT-23-3L, TO-92, and SOT-323-3L Package.

Applications

- Cellphones.
- Wireless LAN's.
- Hand-Held Instrumentation.
- Portable Video Game Devices.
- Digital Cameras.

Ordering/Marking Information

Package	Ordering Information		Marking Information	
 <p>TO-92 N-Pinout (Top View)</p>	3.3V	SE5166AHN	SE5166AHN YYWW	YY: year code WW: week code.
	2.8V	SE5166BHN	SE5166BHN YYWW	
	2.5V	SE5166CHN	SE5166CHN YYWW	
	1.8V	SE5166DHN	SE5166DHN YYWW	
	1.5V	SE5166EHN	SE5166EHN YYWW	
	3.0V	SE5166FHN	SE5166FHN YYWW	
 <p>TO-92 G-Pinout (Top View)</p>	3.3V	SE5166AHG	SE5166AHG YYWW	
	2.8V	SE5166BHG	SE5166BHG YYWW	
	2.5V	SE5166CHG	SE5166CHG YYWW	
	1.8V	SE5166DHG	SE5166DHG YYWW	
	1.5V	SE5166EHG	SE5166EHG YYWW	
	3.0V	SE5166FHG	SE5166FHG YYWW	



Ordering/Marking Information (Continued)

Package	Ordering Information		Marking Information	
<p>SOT-23-3L N-Pinout (Top View)</p>	3.3V	SE5166ALN	<u>1</u> 66AN_	<p>Starting with 1, a bar on top of 1 is for production year 2001, and underlined 1 is for year 2002. The next character is marked on top for 2003, and underlined for 2004. The naming pattern continues with consecutive characters for later years.</p> <p>The last character is the week code. (A-Z: 1-26, a-z: 27-52)</p>
	2.8V	SE5166BLN	<u>1</u> 66BN_	
	2.5V	SE5166CLN	<u>1</u> 66CN_	
	1.8V	SE5166DLN	<u>1</u> 66DN_	
	1.5V	SE5166ELN	<u>1</u> 66EN_	
	3.0V	SE5166FLN	<u>1</u> 66FN_	
<p>SOT-23-3L G-Pinout (Top View)</p>	3.3V	SE5166ALG	<u>1</u> 66AG_	
	2.8V	SE5166BLG	<u>1</u> 66BG_	
	2.5V	SE5166CLG	<u>1</u> 66CG_	
	1.8V	SE5166DLG	<u>1</u> 66DG_	
	1.5V	SE5166ELG	<u>1</u> 66EG_	
	3.0V	SE5166FLG	<u>1</u> 66FG_	
<p>SOT-323-3L N-Pinout (Top View)</p>	3.3V	SE5166APN	<u>1</u> 66AN_	
	2.8V	SE5166BPN	<u>1</u> 66BN_	
	2.5V	SE5166CPN	<u>1</u> 66CN_	
	1.8V	SE5166DPN	<u>1</u> 66DN_	
	1.5V	SE5166EPN	<u>1</u> 66EN_	
	3.0V	SE5166FPN	<u>1</u> 66FN_	
<p>SOT-323-3L G-Pinout (Top View)</p>	3.3V	SE5166APG	<u>1</u> 66AG_	
	2.8V	SE5166BPG	<u>1</u> 66BG_	
	2.5V	SE5166CPG	<u>1</u> 66CG_	
	1.8V	SE5166DPG	<u>1</u> 66DG_	
	1.5V	SE5166EPG	<u>1</u> 66EG_	
	3.0V	SE5166FPG	<u>1</u> 66FG_	



Absolute Maximum Ratings⁽¹⁾

Supply Input Voltage (V_{IN}) 0.7V to +6V
 Power Dissipation (P_D) Internally Limited ⁽³⁾
 Junction Temperature (T_J)0°C to +125°C
 Lead Temperature (soldering, 5 sec.) 260°C
 Storage Temperature (T_S) -40°C to +150°C

Operating Ratings⁽²⁾

Supply Input Voltage (V_{IN}) +2.0V to +5.5V
 Junction Temperature (T_J) 0°C to +125°C
 Package Thermal Resistance
 160°C/W (TO-92)
 230°C/W (SOT-23-3L)
 250°C/W (SOT-323-3L)

Electrical Characteristics

$V_{IN} = 5V$; $C_{IN} = 2.2\mu F$; $C_{OUT} = 2.2\mu F$; $I_{OUT} = 10mA$; $T_J = 25^\circ C$; unless otherwise noted

Symbol	Parameter	Conditions	Min	Typ	Max	Unit
V_{OUT}	Output Voltage Accuracy	SE5166 – 1.5V	1.470	1.5	1.530	V
		SE5166 – 1.8V	1.764	1.8	1.836	
		SE5166 – 2.5V	2.450	2.5	2.550	
		SE5166 – 2.8V	2.744	2.8	2.856	
		SE5166 – 3.0V	2.940	3.0	3.060	
		SE5166 – 3.3V	3.234	3.3	3.366	
ΔV_{OUT}	Line Regulation	$V_{IN} = V_{OUT} + 1V$ to 5.5V, $I_{OUT} = 10mA$	--	1	--	%
ΔV_{OUT}	Load Regulation ⁽⁵⁾	$V_{IN} = 5V$; $I_{OUT} = 10mA$ to 150mA	--	1	--	%
$\Delta V_{OUT}/\Delta T$	Output Voltage Temperature Coefficient	Note 4	--	0.79	--	mV/°C
$V_{IN} - V_{OUT}$	Dropout Voltage ⁽⁶⁾	$I_{OUT} = 10mA$	--	20	--	mV
		$I_{OUT} = 75mA$	--	203	--	
		$I_{OUT} = 150mA$	--	500	--	
$T_{PROTECTION}$	Thermal Protection	Thermal Protection Temperature	--	150	--	°C
		Protection Hysterisys	--	20	--	
PSRR	Ripple Rejection	$f = 120$ Hz	--	51	--	dB
I_Q	Quiescent Current	$I_{OUT} = 10mA$	--	1	2	mA
I_{LIMIT}	Current Limit		300	--	--	mA



Note 1: Exceeding the absolute maximum rating may damage the device.

Note 2: The device is not guaranteed to function outside its operating rating.

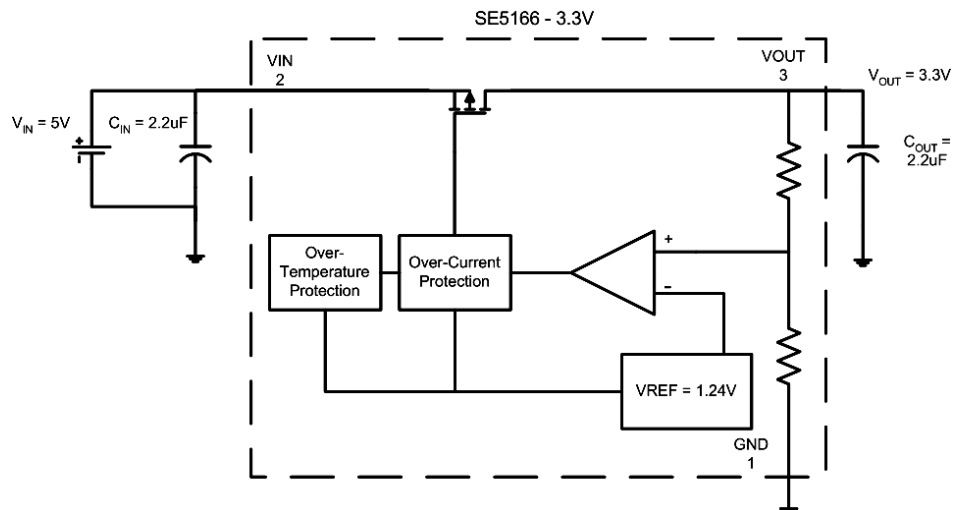
Note 3: The maximum allowable power dissipation at any T_A (ambient temperature) is calculated using: $P_{D(MAX)} = (T_{J(MAX)} - T_A)/\theta_{JA}$. Exceeding the maximum allowable power dissipation will result in excessive die temperature, and the regulator will go into thermal shutdown. See "Thermal Consideration" section for details

Note 4: Output voltage temperature coefficient is the worst case voltage change divided by the total temperature range.

Note 5: Regulation is measured at constant junction temperature using low duty cycle pulse testing. Parts are tested for load regulation in the load range from 0.1mA to 150mA. Changes in output voltage due to heating effects are covered by the thermal regulation specification.

Note 6: Dropout voltage is defined as the input to output differential at which the output voltage drops 2% below its nominal value measured at 1V differential.

Typical Application





Application Hints

Like any low dropout regulator, SE5166 requires external capacitors to ensure stability. The external capacitors must be carefully selected to ensure performance.

Input Capacitor

An input capacitor of at least 2.2 μ F is required. Ceramic or Tantalum can be used. The value can be increased without upper limit.

Output Capacitor

An output capacitor is required for stability. It must be placed no more than 1 cm away from the V_{OUT} pin, and connected directly between V_{OUT} and GND pins. The minimum value is 2.2 μ F but may be increased without limit.

Thermal Considerations

It is important that the thermal limit of the package is not exceeded. The SE5166 has built-in thermal protection. When the thermal limit is exceeded, the IC will enter protection, and V_{OUT} will be pulled to ground. The power dissipation for a given application can be calculated as following:

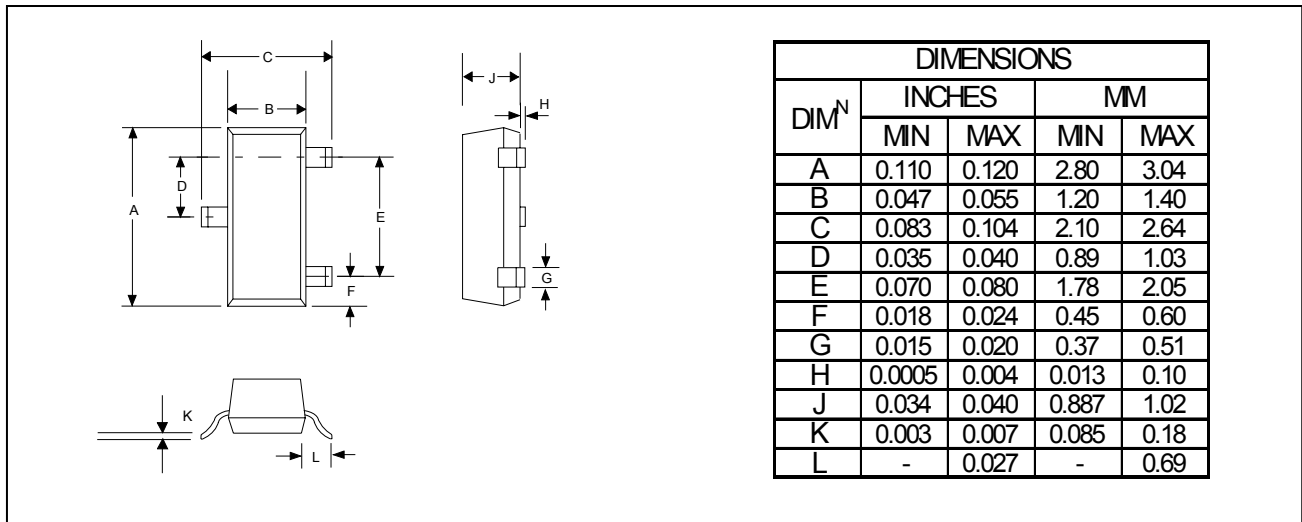
The power dissipation (P_D) is

$$P_D = I_{OUT} * [V_{IN} - V_{OUT}]$$

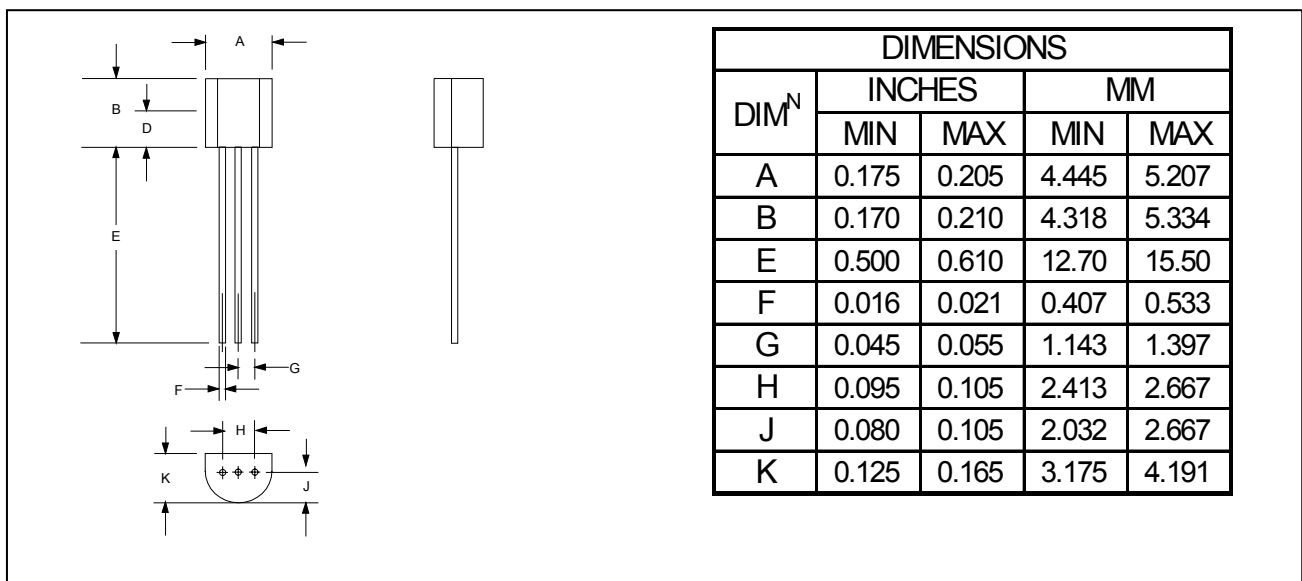
The thermal limit of the package is then limited to $P_{D(MAX)} = [T_J - T_A]/\Theta_{JA}$ where T_J is the junction temperature, T_A is the ambient temperature, and Θ_{JA} is around 250°C/W for SE5166. SE5166 is designed to enter thermal protection at 150°C. For example, if T_A is 25°C then the maximum P_D is limited to about 0.5W. In other words, if $I_{OUT(MAX)} = 150mA$, then $[V_{IN} - V_{OUT}]$ cannot exceed 3.33V.



OUTLINE DRAWING SOT-23-3L (SC-59)

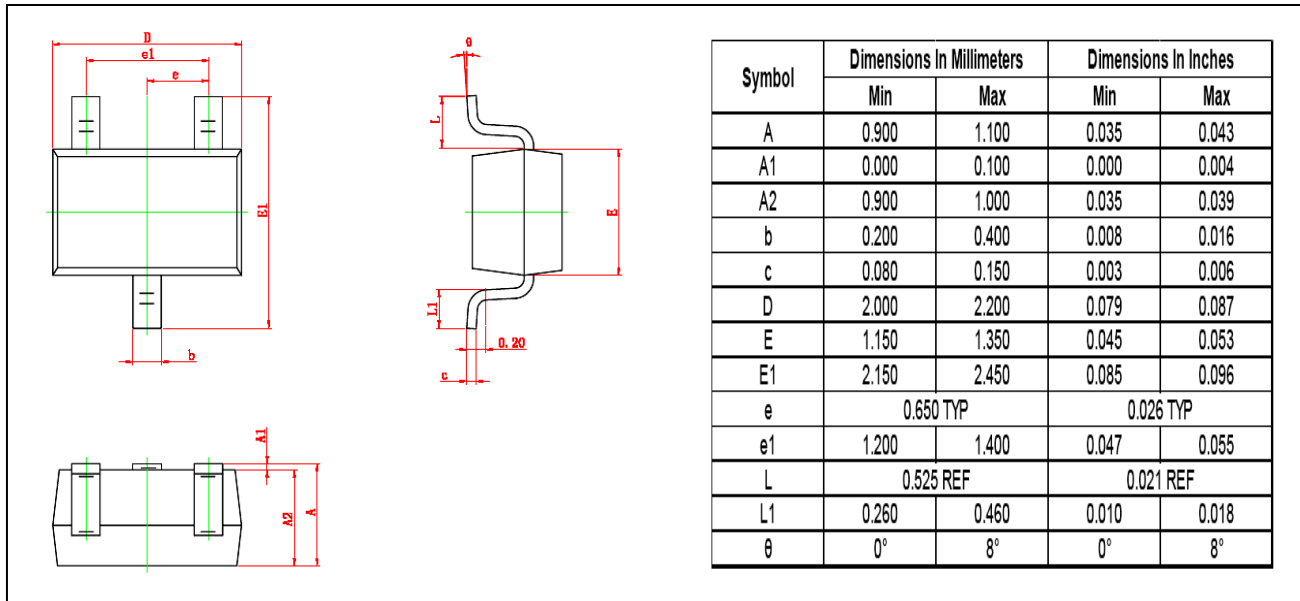


OUTLINE DRAWING TO-92





OUTLINE DRAWING SOT-323-3L



Customer Support

Seaward Electronics Incorporated – China

Rm 1605, Building 1, International Pioneering Park, #1 Shangdi Xinxu Rd
Haidian District, Beijing 100085, China
Tel: 86-10-8289-5700/01/05
Fax: 86-10-8289-5706

Seaward Electronics Corporation – Taiwan

2F, #181, Sec. 3, Minquan East Rd,
Taipei, Taiwan R.O.C
Tel: 886-2-2712-0307
Fax: 886-2-2712-0191

Seaward Electronics Incorporated – North America

49 Showers Dr. J126
Mountain View, CA 94040, USA
Tel: 1-408-821-6600

Last Updated - 3/9/2005