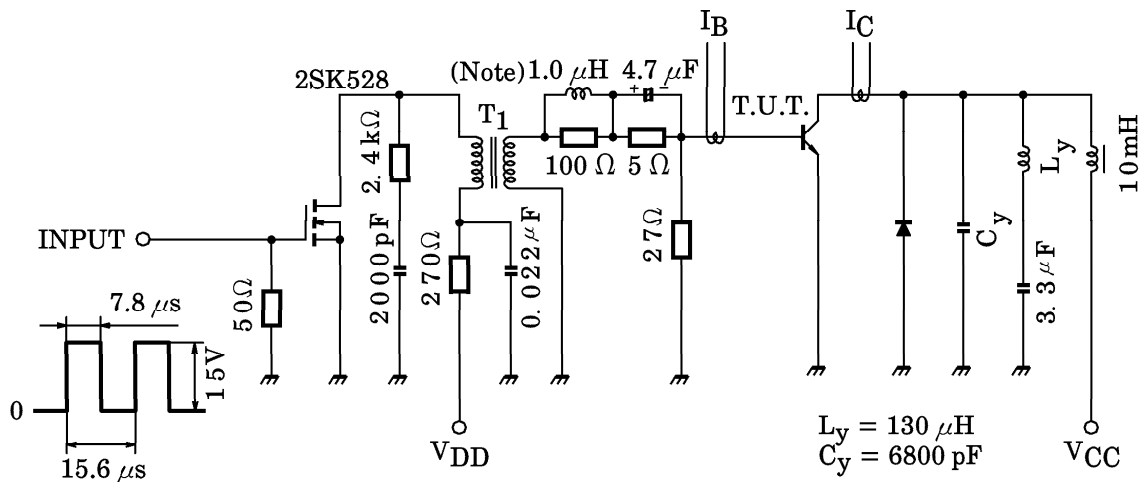
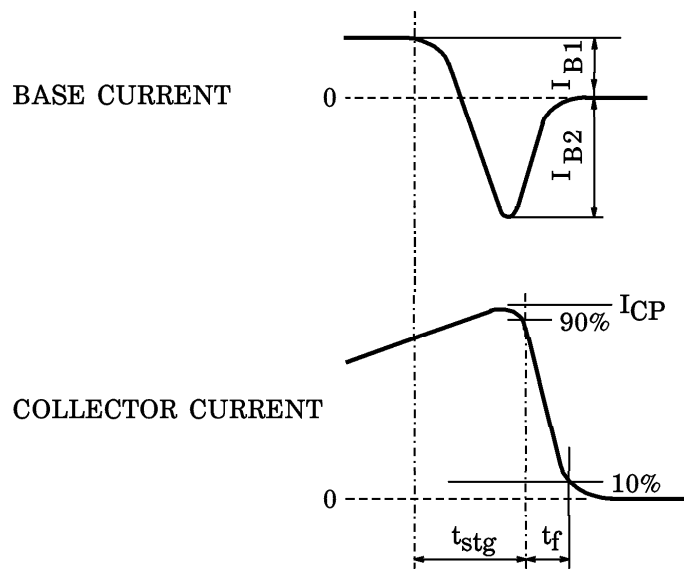




Fig.1 SWITCHING TIME TEST CIRCUIT (Inductive Load)



(Note) : Leakage Inductance of secondary winding LB is 1.2 μH.



Base Current Gradient

$$dI_B / dt = \frac{I_{B1} + I_{B2}}{t_{stg}} \text{ (A / } \mu\text{s)}$$

