

## 2N/SST4416 2N4416A

### N-CHANNEL JFET HIGH FREQUENCY AMPLIFIER

#### FEATURES

Direct Replacement For SILICONIX 2N/SST4416 & 2N4416A

VERY LOW NOISE FIGURE (400 MHz) 4 dB (max)

EXCEPTIONAL GAIN (400 MHz) 10 dB (min)

#### ABSOLUTE MAXIMUM RATINGS<sup>1</sup>

@ 25 °C (unless otherwise stated)

#### Maximum Temperatures

Storage Temperature -65 to +200 °C

Operating Junction Temperature -55 to +135 °C

#### Maximum Power Dissipation

Continuous Power Dissipation 300mW

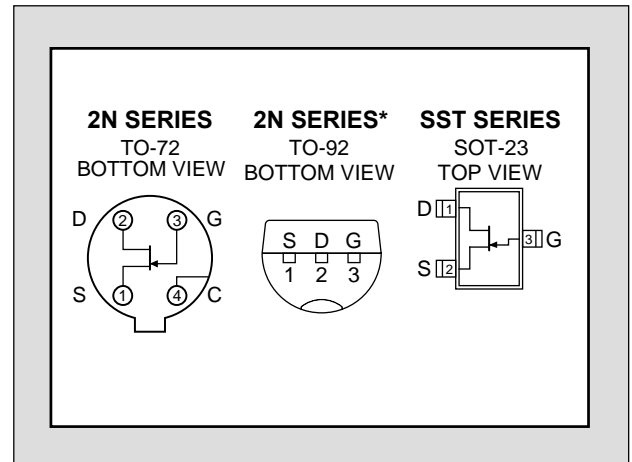
#### Maximum Currents

Gate Current 10mA

#### Maximum Voltages

Gate to Drain or Gate to Source LS4416 -30V

Gate to Drain or Gate to Source LS4416A -35V



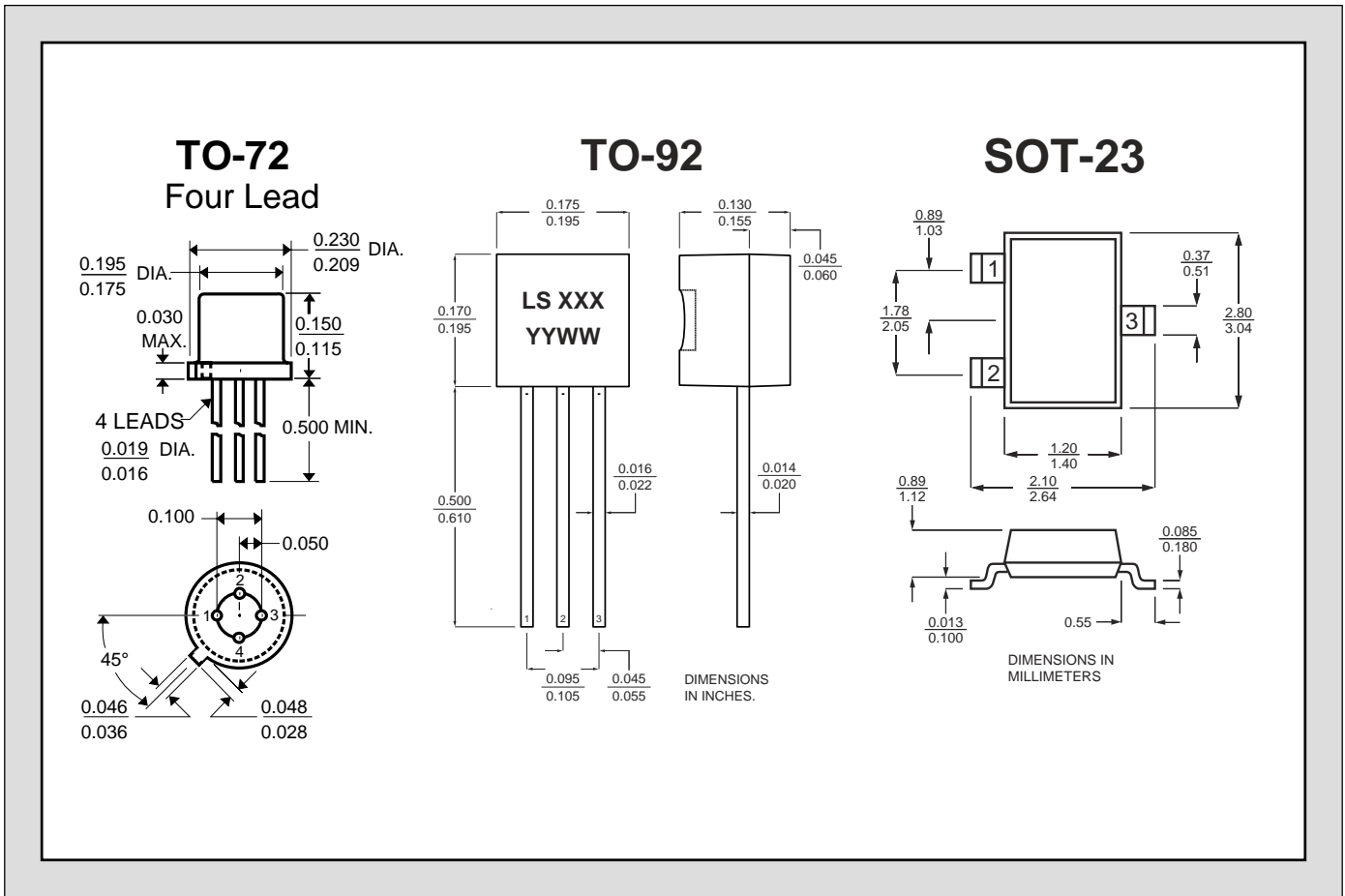
\*Optional Package For 2N4416

#### ELECTRICAL CHARACTERISTICS @ 25 °C (unless otherwise stated)

SYMBOL	CHARACTERISTIC	MIN	TYP	MAX	UNITS	CONDITIONS
BV <sub>GSS</sub>	Gate to Source Breakdown Voltage	2N/SST4416	-30		V	I <sub>G</sub> = -1μA, V <sub>DS</sub> = 0V
		2N4416A	-35			
V <sub>GS(off)</sub>	Gate to Source Cutoff Voltage	2N/SST4416		-6	V	V <sub>DS</sub> = 15V, I <sub>D</sub> = 1nA
		2N4416A	-2.5	-6		
I <sub>DSS</sub>	Gate to Source Saturation Current	5		15	mA	V <sub>DS</sub> = 15V, V <sub>GS</sub> = 0V
I <sub>GSS</sub>	Gate Leakage Current	2N		-0.1	nA	V <sub>GS</sub> = -20V, V <sub>DS</sub> = 0V
		SST		-1.0		V <sub>GS</sub> = -15V, V <sub>DS</sub> = 0V
g <sub>fs</sub>	Forward Transconductance	4500		7500	μS	V <sub>DS</sub> = 15V, V <sub>GS</sub> = 0V, f = 1kHz
g <sub>os</sub>	Output Conductance			50	μS	
C <sub>iss</sub>	Input Capacitance <sup>2</sup>			0.8	pF	V <sub>DS</sub> = 15V, V <sub>GS</sub> = 0V, f = 1MHz
C <sub>rss</sub>	Reverse Transfer Capacitance <sup>2</sup>			4		
C <sub>oss</sub>	Output Capacitance <sup>2</sup>			2		
e <sub>n</sub>	Equivalent Input Noise Voltage		6		nV/√Hz	V <sub>DS</sub> = 10V, V <sub>GS</sub> = 0V, f = 1kHz

**HIGH FREQUENCY ELECTRICAL CHARACTERISTICS @ 25 °C (unless otherwise stated)**

SYMBOL	CHARACTERISTIC	100 MHz		400 MHz		UNITS	CONDITIONS
		MIN	MAX	MIN	MAX		
$g_{iss}$	Input Conductance		100		1000	$\mu S$	$V_{DS} = 15V, V_{GS} = 0V$
$b_{iss}$	Input Susceptance <sup>2</sup>		2500		10000		
$g_{oss}$	Output Conductance		75		100		
$b_{oss}$	Output Susceptance <sup>2</sup>		1000		4000		
$G_{fs}$	Forward Transconductance			4000			
$G_{ps}$	Power Gain <sup>2</sup>	18		10		$dB$	$V_{DS} = 15V, I_D = 5mA$
NF	Noise Figure <sup>2</sup>		2		4		$V_{DS} = 15V, I_D = 5mA, R_G = 1k\Omega$



1. Absolute maximum ratings are limiting values above which serviceability may be impaired.
2. Not production tested, guaranteed by design.

Information furnished by Linear Integrated Systems is believed to be accurate and reliable. However, no responsibility is assumed for its use; nor for any infringement of patents or other rights of third parties which may result from its use. No license is granted by implication or otherwise under any patent or patent rights of Linear Integrated Systems.