

SANYO

No.2365B

LC7151

C MOS Si Gate LSI
Meeting FCC 10-Channel Standard
PLL FOR CORDLESS TELEPHONE

Functions :

- . On-chip PLL for transmission/reception
- . On-chip digital unlock detector (only PLL for transmission)
- . 5.0kHz/4.4kHz output pins for guard tone
- . Standby function
- . Pull-down resistance at CH select pins (D1 to D4)
LC7150: With (for mechanical SW)
LC7151: Without (for μ COM)

Absolute Maximum Ratings at $T_a=25^\circ\text{C}, V_{SS}=0\text{V}$

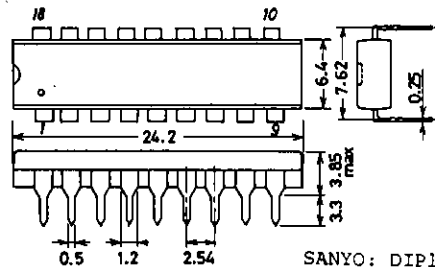
			unit
Maximum Supply Voltage	V_{DDmax}	-0.3 to 6.5	V
Maximum Input Voltage	$V_{I,max}$ All input pins	-0.3 to $V_{DD}+0.3$	V
Maximum Output Voltage	V_{O1max} F1, F2 output OFF	-0.3 to +6.5	V
	V_{O2max} Output pins other than V_{O1}	-0.3 to $V_{DD}+0.3$	V
Output Current	I_{OUT} F1, F2, LDT	0 to 3.0	mA
Allowable Power Dissipation	P_{dmax} $T_a=75^\circ\text{C}$	350	mW
Operating Temperature	T_{opr}	-30 to +75	$^\circ\text{C}$
Storage Temperature	T_{stg}	-40 to +125	$^\circ\text{C}$

Allowable Operating Conditions at $T_a=25^\circ\text{C}, V_{SS}=0\text{V}$

		min	typ	max	unit
Supply Voltage	V_{DD}	3.0		5.5	V
"H"-Level Input Voltage	V_{IH1} D1 to D4, \overline{SB}	$0.7V_{DD}$		V_{DD}	V
"L"-Level Input Voltage	V_{IL1} "	0	$0.3V_{DD}$		V
"H"-Level Input Voltage	V_{IH2} $\overline{R/B}$	$0.9V_{DD}$		V_{DD}	V
"L"-Level Input Voltage	V_{IL2} "	0	$0.1V_{DD}$		V
Input Frequency	f_{IN1} PIT; $V_{IN}=0.15V_{rms}$	10		27	MHz
	f_{IN2} PIR; "	30		42	MHz
	f_{IN3} XIN; $V_{IN}=0.3V_{rms}$	5.0	10.24	11.0	MHz
Input Amplitude	V_{IN1} PIT; $f_{IN}=27\text{MHz}$	0.15	$0.3V_{DD}$		Vrms
	V_{IN2} PIR; $f_{IN}=42\text{MHz}$	0.15	$0.3V_{DD}$		Vrms
	V_{IN3} XIN; $f_{IN}=11\text{MHz}$	0.3	$0.3V_{DD}$		Vrms

Package Dimensions

unit:mm
3007A-DIP18



Electrical Characteristics at Ta=25°C, under Allowable Operating Conditions

			min	typ	max	unit
"H"-Level Input Current	I_{IH1}	XIN; $V_I = V_{DD}$			20	μA
"L"-Level Input Current	I_{IL1}	XIN; $V_I = V_{SS}$			20	μA
"H"-Level Input Current	I_{IH2}	PIT, PIR; $V_I = V_{DD}$			40	μA
"L"-Level Input Current	I_{IL2}	PIT, PIR; $V_I = V_{SS}$			40	μA
"H"-Level Input Current	I_{IH3}	\overline{SB} , R/B, D1 to D4; $V_I = V_{DD}$			10	μA
"L"-Level Input Current	I_{IL3}	\overline{SB} , R/B, D1 to D4; $V_I = V_{SS}$			10	μA
Feedback Resistance	R_{f1}	XIN; $V_{DD} = 4.3V$		1.0		Mohm
	R_{f2}	PIT, PIR; "		0.5		Mohm
"H"-Level Output Voltage	V_{OH1}	PDT, PDR; $I_o = 0.5mA$	$V_{DD} - 1.0$			V
"L"-Level Output Voltage	V_{OL1}	PDT, PDR; $I_o = 0.5mA$			1.0	V
Output OFF Leak Current	I_{off1}	PDT, PDR; $V_o = V_{DD}/V_{SS}$		0.01	1.0	nA
"H"-Level Output Voltage	V_{OH2}	LDT; $I_o = 1mA$	$V_{DD} - 1.0$			V
Output OFF Leak Current	I_{off2}	LDT; Output OFF $V_o = V_{SS}$			5.0	μA
"L"-Level Output Voltage	V_{OL2}	F1, F2; $I_o = 1mA$			1.0	V
Output OFF Leak Current	I_{off3}	F1, F2; output OFF $V_o = 5.5V$			5.0	μA
Current Dissipation	I_{DD1}	(C3) $V_{DD} = 3.0V$		4		mA
	I_{DD2}	(C3) $V_{DD} = 4.5V$		7		mA
	I_{DD3}	(C3) $V_{DD} = 5.5V$		13		mA
	I_{DD4}	(C2) $V_{DD} = 3.0V$		3		mA
	I_{DD5}	(C2) $V_{DD} = 4.5V$		5		mA
	I_{DD6}	(C2) $V_{DD} = 5.5V$		10		mA

(C3): XIN=10.24MHz, Xtal connected

PIT=27MHz 150mVrms

PIR=42MHz 150mVrms

R/B= V_{DD} , SB= V_{DD} , Other pin open

(C2): XIN=10.24MHz, Xtal connected

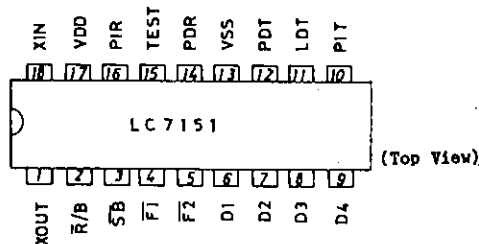
PIR=42MHz, 150mVrms

R/B= V_{DD} , SB= V_{SS} , Other pin open

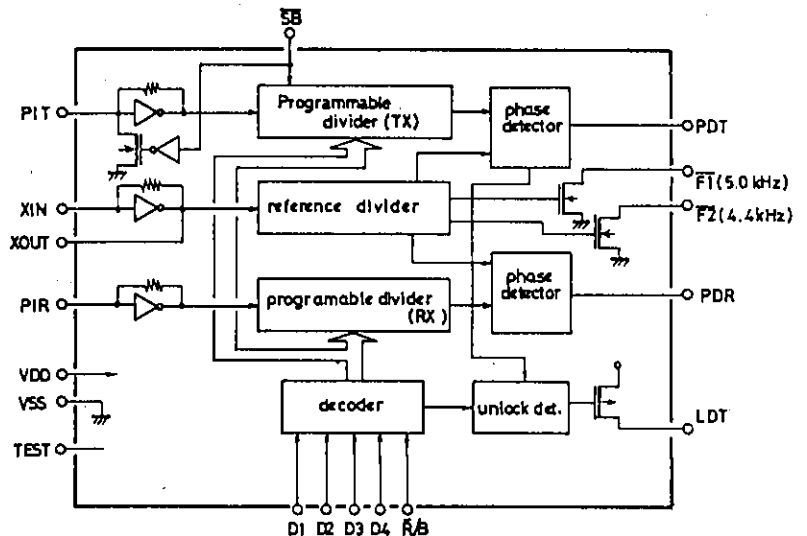
(Note)

Power $V_{DD} - V_{SS}$: Insert a capacitor of 2000pF or greater.

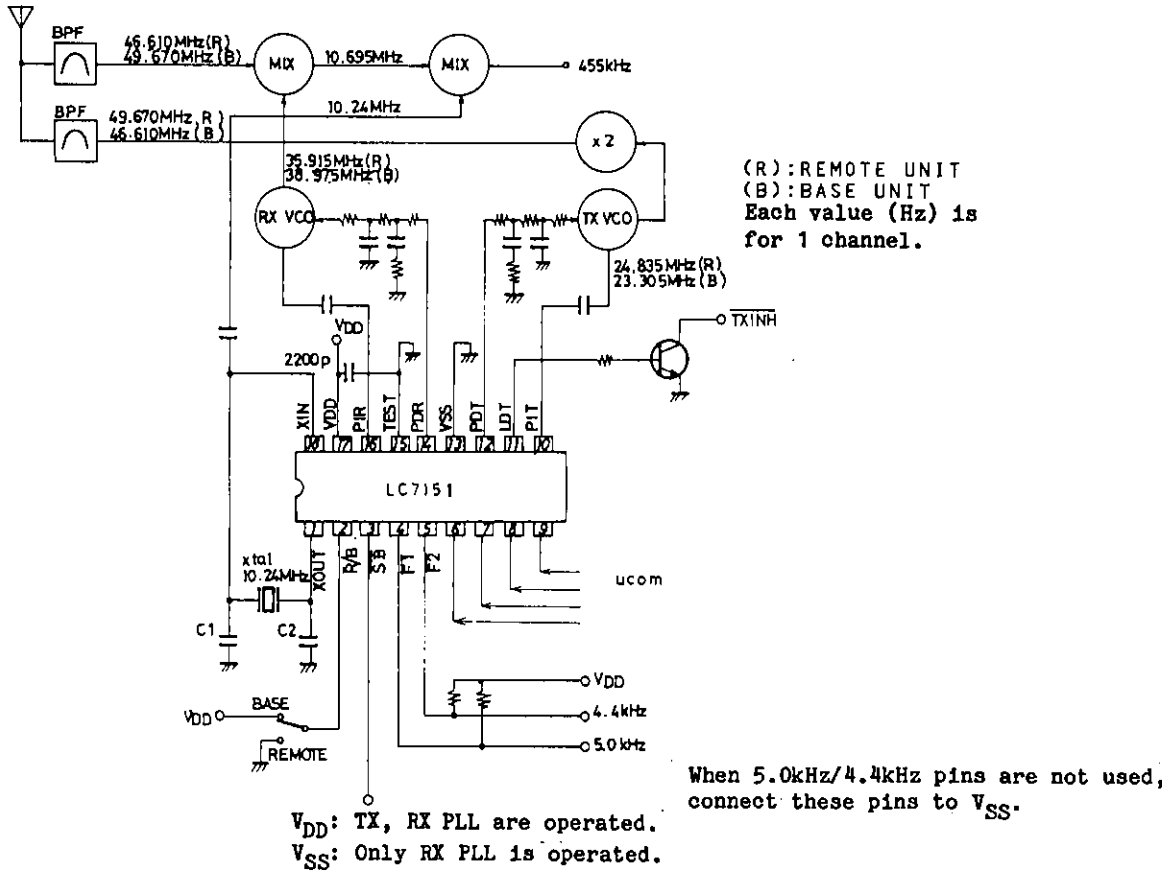
Pin Assignment



Equivalent Circuit Block Diagram



Sample Application Circuit



Pin Description

- F1: 5.0kHz output. When not used, connect to V_{SS}.
- F2: 4.4kHz output (10.24MHz ÷ 2304). When not used, connect to V_{SS}.
- V_{DD}, V_{SS}: Power supply.
- XIN, XOUT: Crystal resonator (10.24MHz).
- D1 to D4: Channel select pin.
- R/B: Base unit/remore unit select pin.
 R/B="0" (V_{SS}).....Remote unit
 R/B="1" (V_{DD}).....Base unit
- SB: Used to stop the TX PLL at the standby mode to minimize current dissipation.
 SB="0" (V_{SS}).....The charge pump enters a high-impedance mode. Standby mode. Only the RX PLL is operated.
 SB="1" (V_{DD})..... The TX, RX PLL are operated.
- PIT: TX programmable divider input pin.
- PIR: RX programmable divider input pin.
- PDT: TX charge pump output pin.
- PDR: RX charge pump output pin.
- TEST: LSI test input pin. Connected to V_{SS}.
- LDT: TX PLL unlock signal output pin.

When the phase difference becomes $t_D (=6.25\mu s)$ or more, 5.6ms output pulse is delivered at the LDT pin.

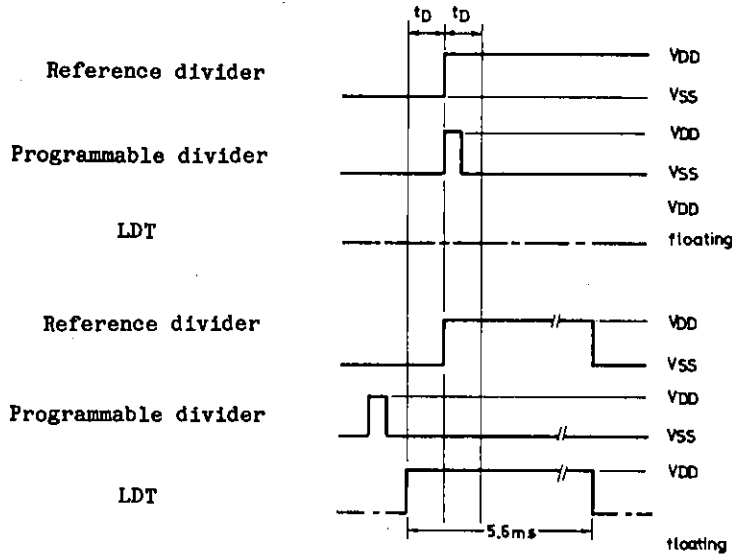


Table of Frequency Division

INPUT D1D2D3D4	C H	REMOTE (R/B='0')					BASE (R/B='1')				
		TX (fref=2.5kHz)		RX (fref=5kHz)			TX (fref=2.5kHz)		RX (fref=5kHz)		
		fTX (MHz)	fVCO (MHz)	N	fVCO (MHz)	N	fTX (MHz)	fVCO (MHz)	N	fVCO (MHz)	N
1 0 0 0	1	49.670	24.8350	9934	35.915	7183	46.610	23.305	9322	38.975	7795
0 1 0 0	2	49.845	24.9225	9969	35.935	7187	46.630	23.315	9326	39.150	7830
1 1 0 0	3	49.860	24.9330	9972	35.975	7195	46.670	23.335	9334	39.165	7833
0 0 1 0	4	49.770	24.8850	9954	36.015	7203	46.710	23.355	9342	39.075	7815
1 0 1 0	5	49.875	24.9375	9975	36.035	7207	46.730	23.365	9346	39.180	7836
0 1 1 0	6	49.830	24.9150	9966	36.075	7215	46.770	23.385	9354	39.135	7827
1 1 1 0	7	49.890	24.9450	9978	36.135	7227	46.830	23.415	9366	39.195	7839
0 0 0 1	8	49.930	24.9650	9986	36.175	7235	46.870	23.435	9374	39.235	7847
1 0 0 1	9	49.990	24.9950	9998	36.235	7247	46.930	23.465	9386	39.295	7859
0 1 0 1	10	49.970	24.9850	9994	36.275	7255	46.970	23.485	9394	39.275	7855
1 1 0 1	10	49.970	24.9850	9994	36.275	7255	46.970	23.485	9394	39.275	7855
0 0 1 1	10	49.970	24.9850	9994	36.275	7255	46.970	23.485	9394	39.275	7855
1 0 1 1	10	49.970	24.9850	9994	36.275	7255	46.970	23.485	9394	39.275	7855
0 1 1 1	10	49.970	24.9850	9994	36.275	7255	46.970	23.485	9394	39.275	7855
1 1 1 1	10	49.970	24.9850	9994	36.275	7255	46.970	23.485	9394	39.275	7855
0 0 0 0	10	49.970	24.9850	9994	36.275	7255	46.970	23.485	9394	39.275	7855

- No products described or contained herein are intended for use in surgical implants, life-support systems, aerospace equipment, nuclear power control systems, vehicles, disaster/crime-prevention equipment and the like, the failure of which may directly or indirectly cause injury, death or property loss.
- Anyone purchasing any products described or contained herein for an above-mentioned use shall:
 - ① Accept full responsibility and indemnify and defend SANYO ELECTRIC CO., LTD., its affiliates, subsidiaries and distributors and all their officers and employees, jointly and severally, against any and all claims and litigation and all damages, cost and expenses associated with such use;
 - ② Not impose any responsibility for any fault or negligence which may be cited in any such claim or litigation on SANYO ELECTRIC CO., LTD., its affiliates, subsidiaries and distributors or any of their officers and employees jointly or severally.
- Information (including circuit diagrams and circuit parameters) herein is for example only; it is not guaranteed for volume production. SANYO believes information herein is accurate and reliable, but no guarantees are made or implied regarding its use or any infringements of intellectual property rights or other rights of third parties.