

COMPANDER IC FOR CORDLESS TELEPHONE

FEATURES

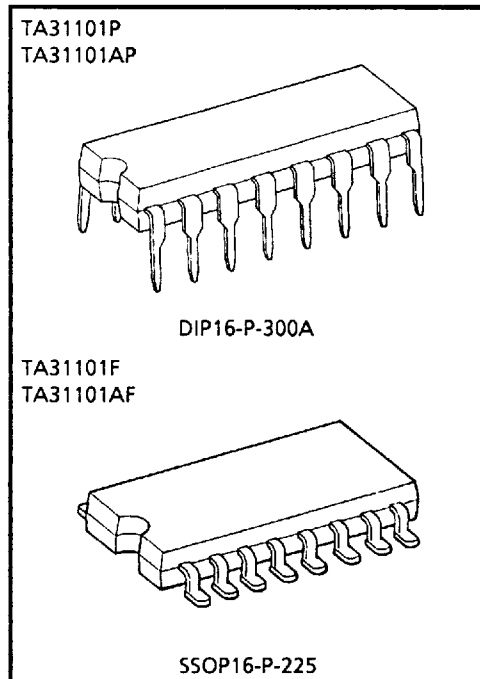
- Low operating supply voltage and small consumption current make this IC suitable for its application to the sets using the battery such as the codeless telephone set, etc.

$$V_{CC}(\text{MIN}) = 1.8\text{V} \quad (T_a = 25^\circ\text{C})$$

$$I_{CCQ} = 2.7\text{mA} \quad (\text{Typ.}) \quad (V_{CC} = 3\text{V}, T_a = 25^\circ\text{C})$$

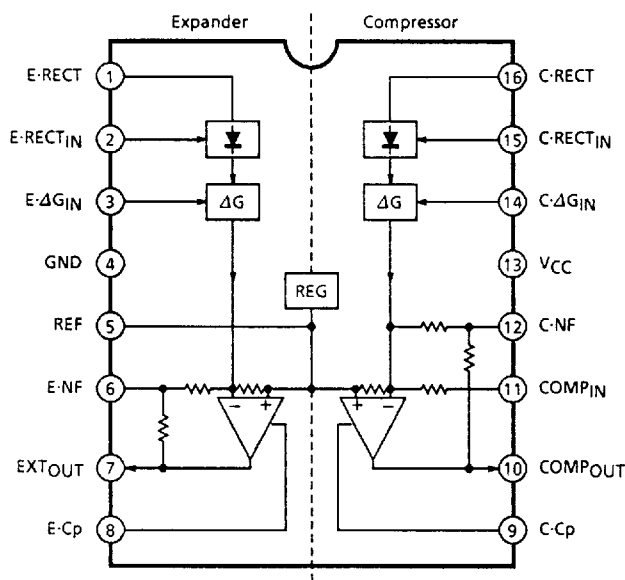
- For noise reduction, compressor and expander are incorporated into a package.
- Wide operating supply voltage range : $V_{CC} = 1.8 \sim 9\text{V}$
- Recommendable operating supply voltage : $V_{CC} = 3\text{V}$
- Difference between TA31101P, TA31101F and TA31101AP, TA31101AF

NAME OF PRODUCT	INPUT REFERENCE LEVEL (Typ.)
TA31101P, TA31101F	- 18.5dBV
TA31101AP, TA31101AF	- 20.0dBV



Weight DIP16-P-300A : 1.1g (Typ.)
SSOP16-P-225 : 0.14g (Typ.)

BLOCK DIAGRAM



© The information contained herein is presented only as a guide for the applications of our products. No responsibility is assumed by TOSHIBA CORPORATION for any infringements of intellectual property or other rights of the third parties which may result from its use. No license is granted by implication or otherwise under any intellectual property or other rights of TOSHIBA CORPORATION or others.
 © These TOSHIBA products are intended for use in general commercial applications (office equipment, communication equipment, measuring equipment, domestic appliances, etc.). please make sure that you consult with us before you use these TOSHIBA products in equipment which requires extraordinarily high quality and/or reliability, and in equipment which may involve life threatening or critical application, including but not limited to such uses as atomic energy control, airplane or spaceship instrumentation, traffic signals, medical instrumentation, combustion control, all types of safety devices, etc. TOSHIBA cannot accept and hereby disclaims liability for any damage which may occur in case the TOSHIBA products are used in such equipment or applications without prior consultation with TOSHIBA.

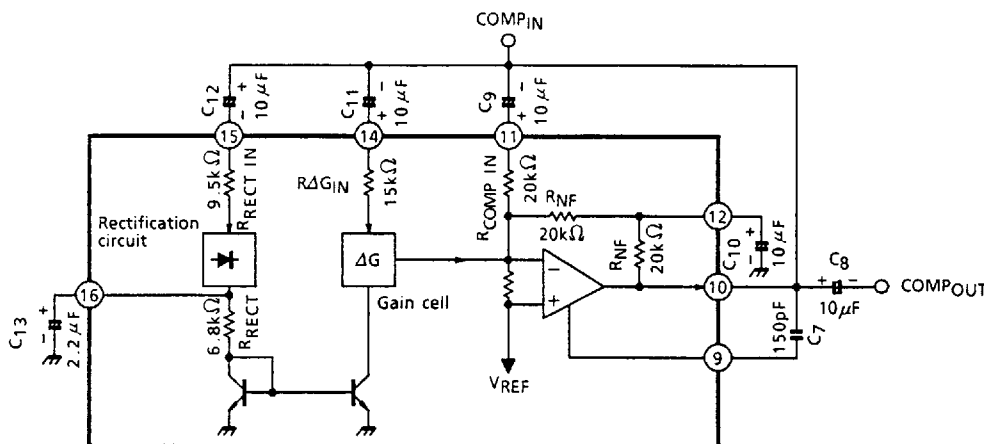
TA31101P - 1

1994 - 7 - 15

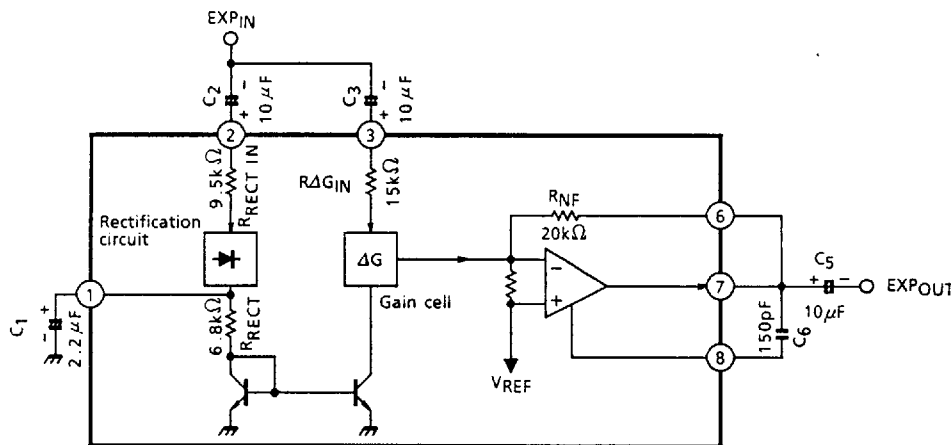
TOSHIBA CORPORATION

The compressor and the expander of this IC are individually composed of the rectification circuit, the gain cell and the operation amplification circuit as shown in the figure below.

Compressor



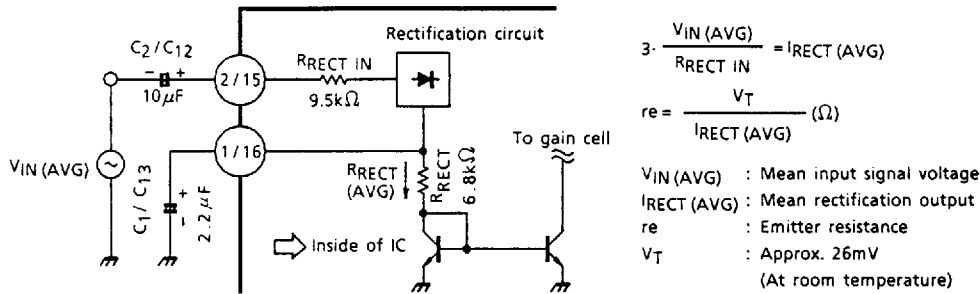
Expander



1. Rectification circuit

In this circuit, the feedback-type full-wave rectification circuit is applied for improving the precision of detection, and the response characteristics (attack time, recovery time) are determined by the time constant of the smoothing capacitor of the rectifying output current connected to the E-RECT terminal and the C-RECT terminal (pin 1, pin 16) and by the time constant of the internal resistance of IC.

- The internal resistance of E-RECT terminal and C-RECT terminal (pin 1, pin 16) becomes the series resistance of the R-RECT 6.8Ω and the emitter resistance r_e in the current miller circuit. The emitter resistance r_e of transistor varies according to the signal level as shown below.

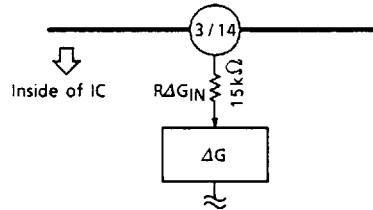


- The input resistance of the input E-RECT_{IN} terminal and C-RECT_{IN} terminal (pin 2, pin 15) of the rectification circuit is approximately 9.5kΩ.

2. Gain cell (ΔG)

This circuit is a variable gain amplifier for controlling the gain with the rectification output current of the rectification circuit.

The input resistance of the input E-ΔG_{IN} terminal and C-ΔG_{IN} terminal of the gain cell (pin 3, pin 14) is approximately 15kΩ.



3. Operation amplification circuit

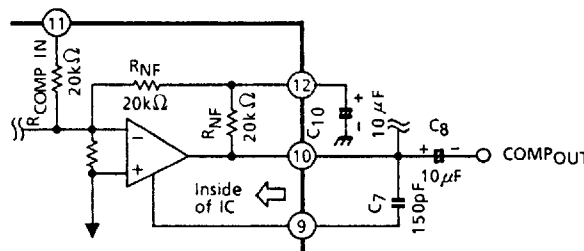
In the compressor, since the variable gain amplifier is involved in the feedback loop of the operation amplification circuit, the oscillation is liable to be generated, however, in this circuit, since the C-Cp terminal (pin 9) for phase compensation is provided, the countermeasure can be taken against the oscillation through the external capacitor.

In the compressor, for making the current gain maximum, the capacitor for decoupling the current signal is connected to the C-NF terminal (pin 12).

The cut-off frequency of the compressor is determined by the product of the capacitor C₁₀ connected to the C-NF terminal multiplied by R_{NF} 20kΩ of the internal resistance.

The cut-off frequency is obtained by the expression below.

$$f_c = \frac{1}{2\pi \cdot C_{10} \cdot R_{NF}}$$



MAXIMUM RATINGS (Ta = 25°C)

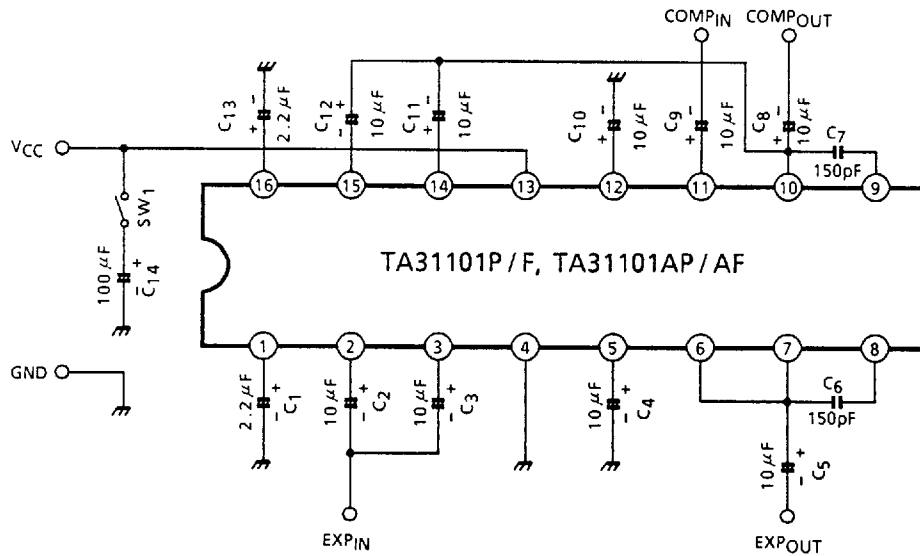
CHARACTERISTIC	SYMBOL	RATING	UNIT
Supply Voltage	V _{CC}	10	V
Power Dissipation	P type	1000	mW
	F type	370	
Operating Temperature	T _{opr}	-25~75	°C
Storage Temperature	T _{stg}	-55~150	°C

ELECTRICAL CHARACTERISTICS (Unless otherwise specified, V_{CC} = 3V, f = 1kHz, Ta = 25°C, 0dB = -20dBV)

CHARACTERISTIC	SYMBOL	TEST CIRCUIT	TEST CONDITION	MIN.	TYP.	MAX.	UNIT
Supply Voltage	V _{CC}	—	—	1.8	3.0	9.0	V
Quiescent Current	I _{CCQ}	1	V _{CC} = 3.0V	—	2.7	5.0	mA
Input Reference Level	TA31101P	V _{REF}	V _{IN} = V _{OUT}	-20.0	-18.5	-17.0	dBV
	TA31101F						
	TA31101AP						
	TA31101AF						
Total Harmonic Distortion	COMP	THD _C	V _{IN} = 0dB	—	-55	-46	dB
	EXP	THD _E					
Output Noise Voltage	COMP	V _{NOC}	V _{IN} = -∞, f = 15Hz~20kHz	—	0.5	—	mV _{rms}
	EXP	V _{NOE}					
Cross Talk	C→E	CT (C→E)	V _{IN} = 0dBV	—	-95	—	dBV
	E→C	CT (E→C)	V _{IN} = -12dBV	—	-55	—	
Ripple Rejection Ratio	COMP	RRC	V _R = 100mV _{rms} , f = 1kHz	—	-30	—	dB
	EXP	RRE					
Maximum Output Voltage (EXP)	V _{OM}	8	R _L = 10kΩ	—	800	—	mV _{rms}
Output Deviation (Note 1)	COMP	V _{OC1}	V _{IN} = 20dB	-0.4	0.1	0.6	dB
		V _{OC2}	V _{IN} = -20dB	-0.5	0	0.5	
		V _{OC3}	V _{IN} = -40dB	-0.6	-0.1	0.4	
	EXP	V _{OE1}	V _{IN} = 6.5dB	-1.1	-0.1	0.9	
		V _{OE2}	V _{IN} = -10dB	-0.9	0.1	1.1	
		V _{OE3}	V _{IN} = -25dB	-1.0	0	1.0	
Frequency Characteristic	COMP	FRC	V _{IN} = 0dB, f = 200~3500Hz and f = 1kHz are references.	—	±0.1	—	dB
	EXP	FRE					

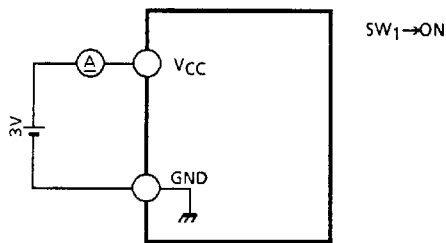
Note 1 : Output deviation = (V_{OUT} - V_{REF}) - V_{IN} × αβ
αβ : (COMP = 0.5, EXP = 2)

TEST CIRCUIT

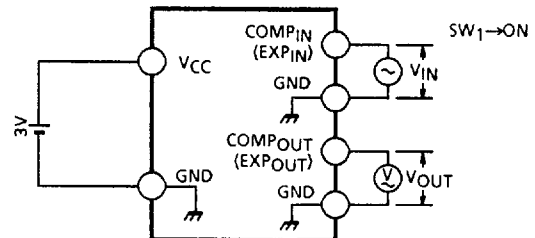


TEST CIRCUIT

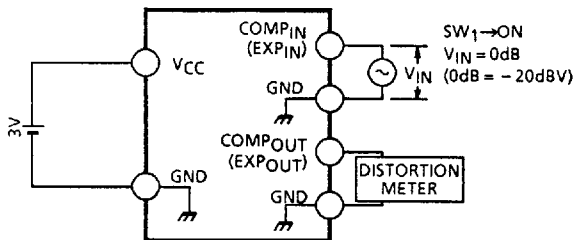
(1) I_{CCQ}



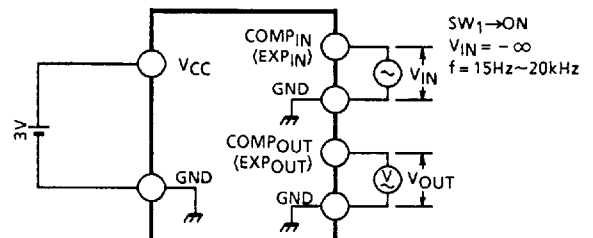
(2) V_{REF}



(3) THD_C, THD_E



(4) V_{NOC}, V_{NOE}

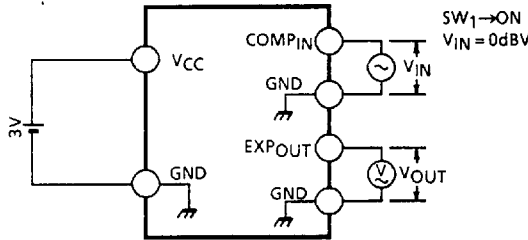


TA31101P - 5

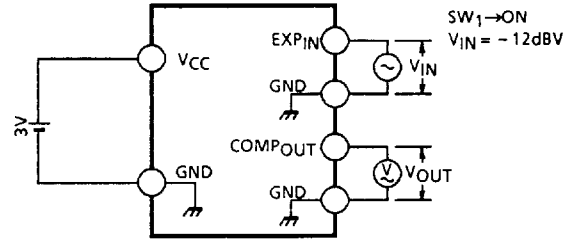
1994 - 7 - 15

TOSHIBA CORPORATION

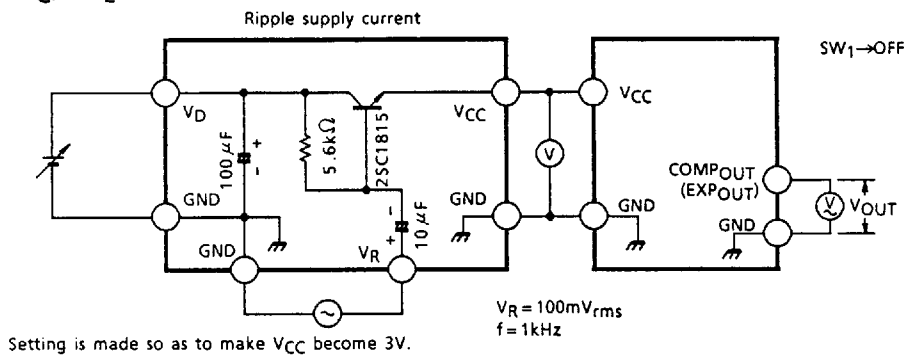
(5) CT (C→E)



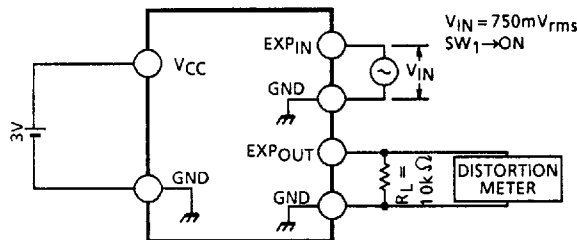
(6) CT (E→C)



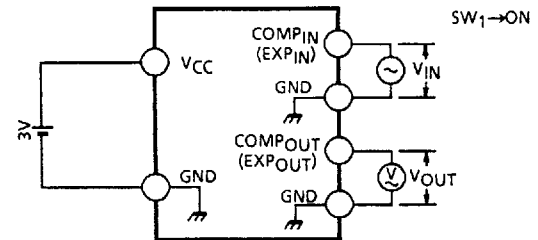
(7) RR_C, RR_E



(8) V_{OM}



(9) V_{OC1, 2, 3}, V_{OE1, 2, 3}



Note : OUTPUT DEVIATION

$$= (V_{OUT} - V_{REF}) - V_{IN} \times \alpha\beta$$

$$\alpha\beta : (\text{COMP} = 0.5, \text{EXP} = 2)$$

$$(\text{0dB} = -20\text{dBV})$$

$$V_{OC1} \rightarrow V_{IN} = +20\text{dB}$$

$$V_{OE1} \rightarrow V_{IN} = +6.5\text{dB}$$

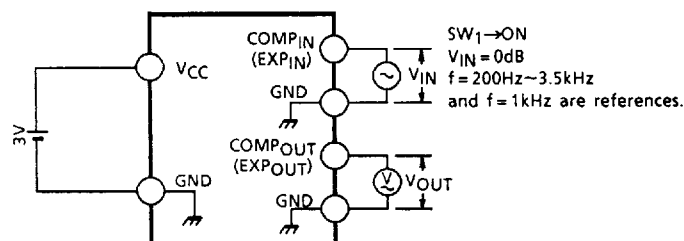
$$V_{OC2} \rightarrow V_{IN} = -20\text{dB}$$

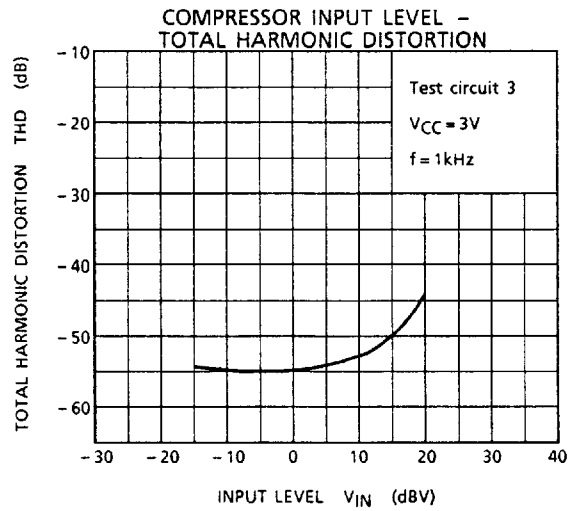
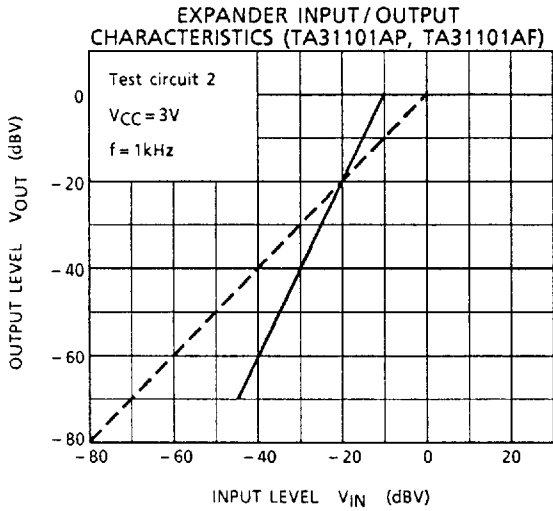
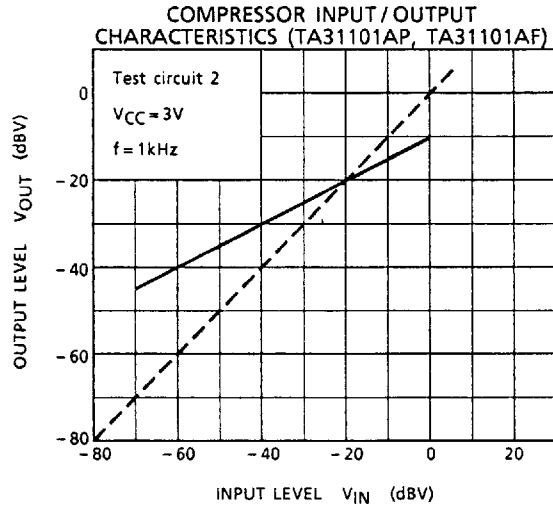
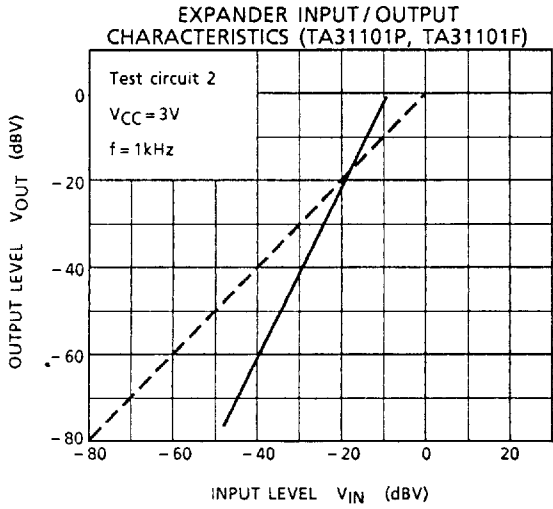
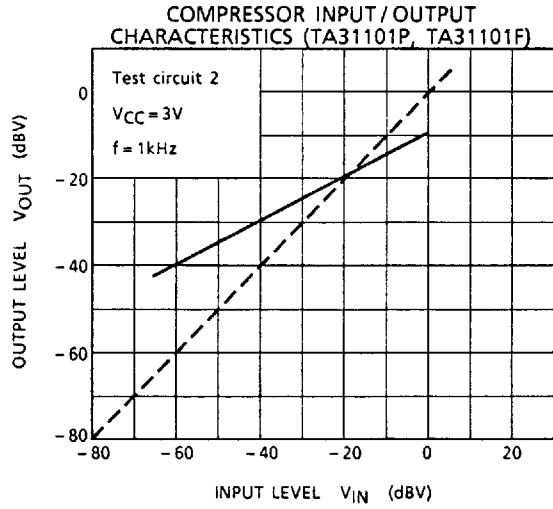
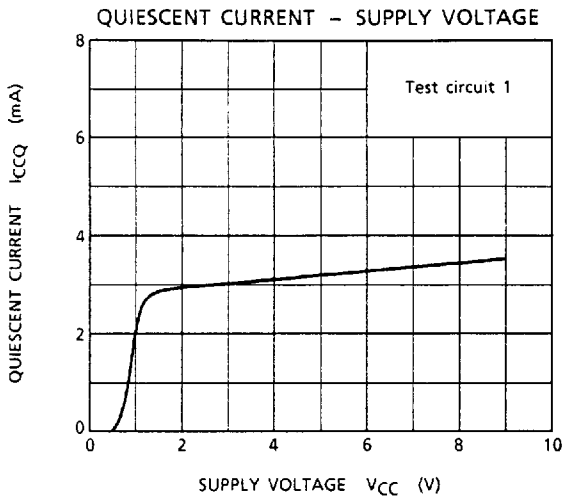
$$V_{OE2} \rightarrow V_{IN} = -10\text{dB}$$

$$V_{OC3} \rightarrow V_{IN} = -40\text{dB}$$

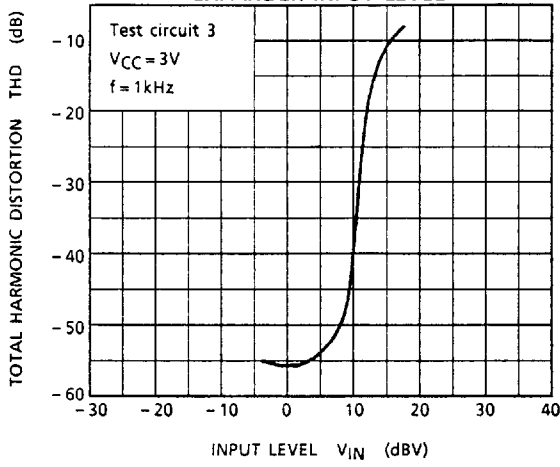
$$V_{OE3} \rightarrow V_{IN} = -25\text{dB}$$

(10) FR_C, FR_E

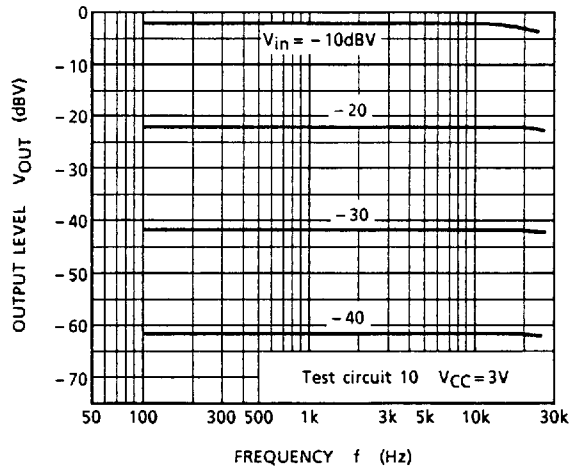




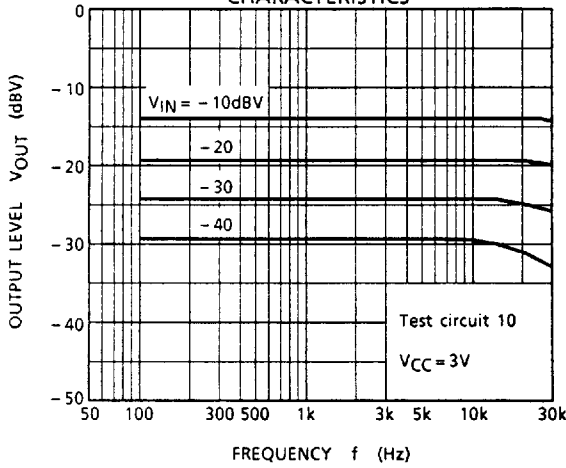
TOTAL HARMONIC DISTORTION -
EXPANDER INPUT LEVEL



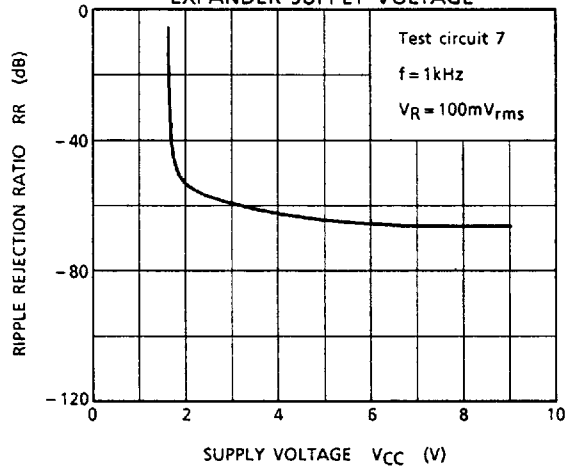
EXPANDER FREQUENCY CHARACTERISTICS



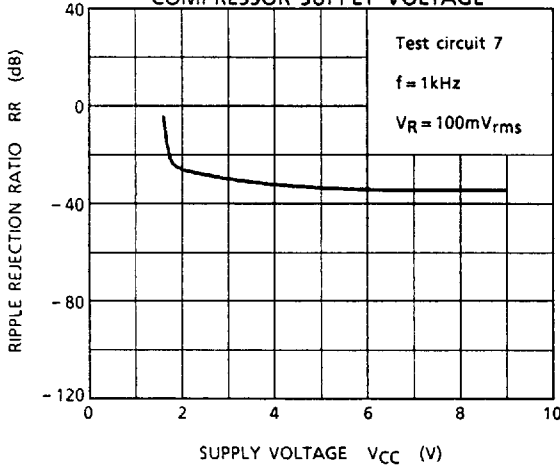
COMPRESSOR FREQUENCY
CHARACTERISTICS



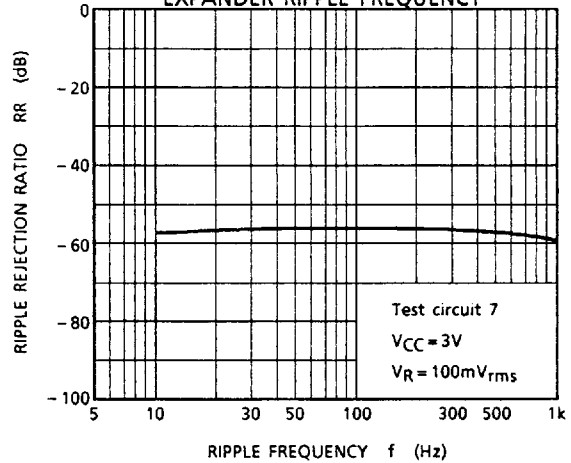
RIPPLE REJECTION RATIO -
EXPANDER SUPPLY VOLTAGE

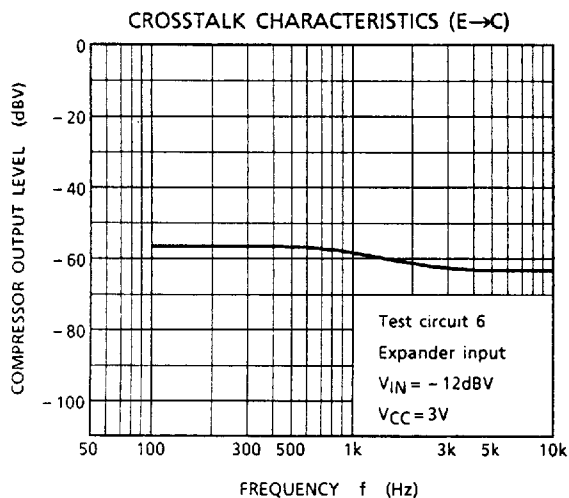
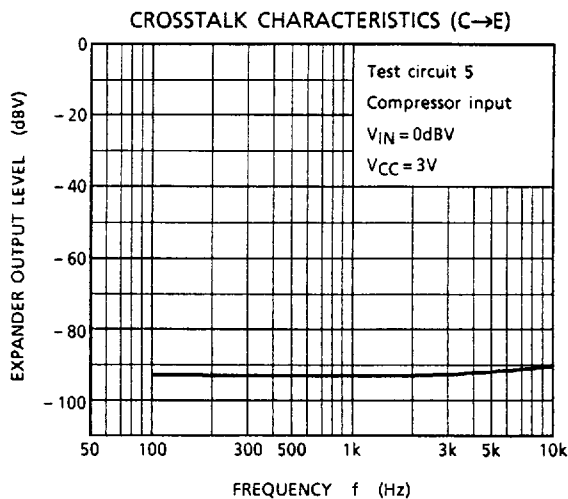
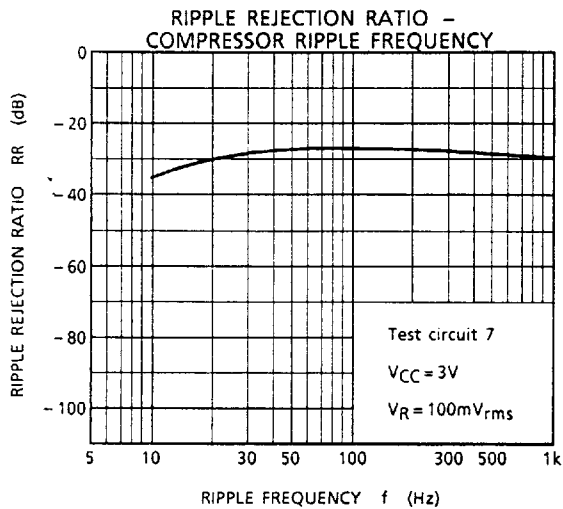


RIPPLE REJECTION RATIO -
COMPRESSOR SUPPLY VOLTAGE

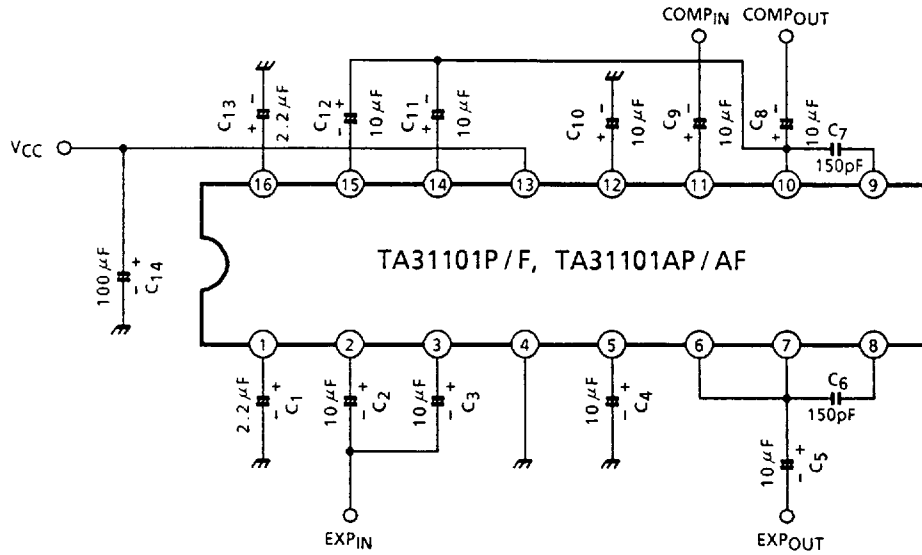


RIPPLE REJECTION RATIO -
EXPANDER RIPPLE FREQUENCY





APPLICATION CIRCUIT



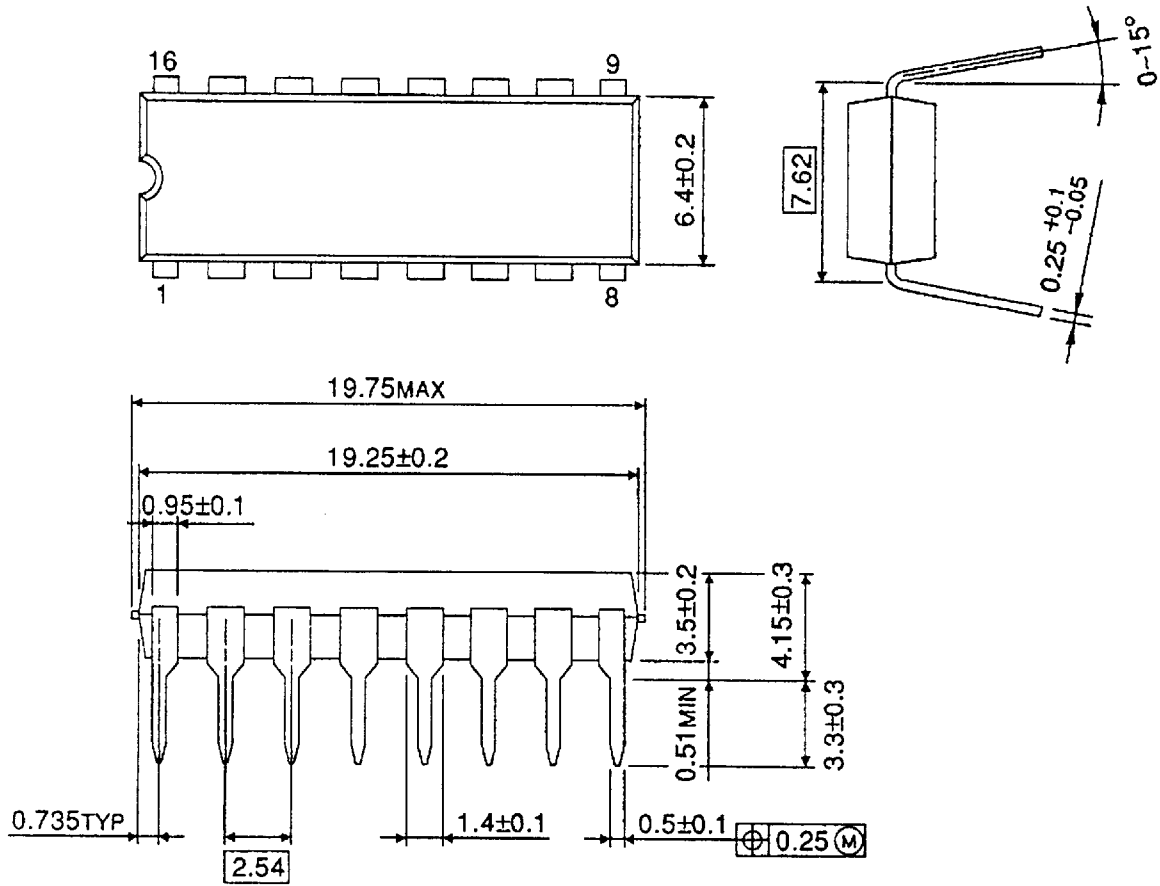
TA31101P - 10

1994 - 7 - 15

TOSHIBA CORPORATION

OUTLINE DRAWING
DIP16-P-300A

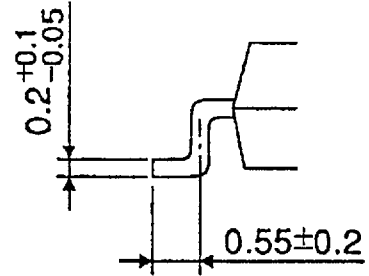
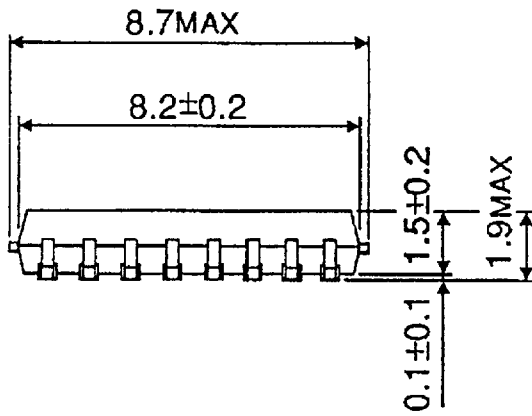
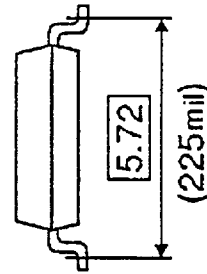
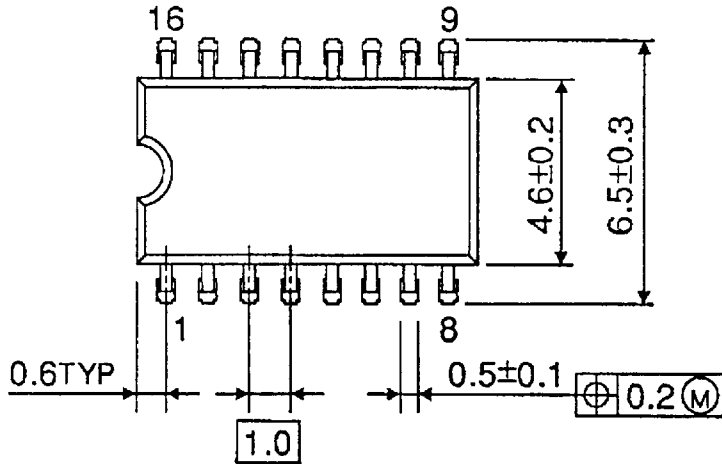
Unit : mm



Weight : 1.1g (Typ.)

OUTLINE DRAWING
SSOP16-P-225

Unit : mm



Weight : 0.14g (Typ.)