

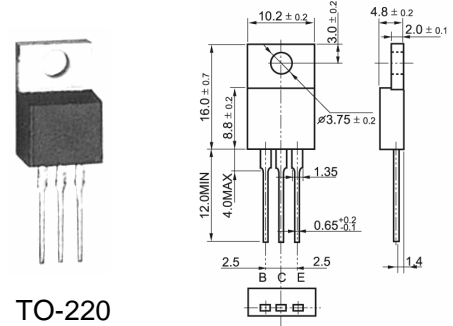


SILICON EPITAXIAL PLANAR TRANSISTOR

MJE3055T/MJE2955T

GENERAL DESCRIPTION

Complementary, high power transistors in a plastic envelope, primarily for use in audio and general purpose



TO-220

QUICK REFERENCE DATA

SYMBOL	PARAMETER	CONDITIONS	MIN	MAX	UNIT
V_{CBO}	Collector-emitter voltage peak value	$V_{BE} = 0V$	-	70	V
V_{CEO}	Collector-emitter voltage (open base)		-	60	V
I_C	Collector current (DC)		-	10	A
I_{CM}	Collector current peak value		-		A
P_{tot}	Total power dissipation	$T_{mb} \leq 25^\circ C$	-	75	W
V_{CEsat}	Collector-emitter saturation voltage	$I_C = 4.0A; I_B = 0.4A$	-	1.2	V
V_F	Diode forward voltage	$I_F = 4.0A$	1.5	2.0	V
t_f	Fall time			-	μS

LIMITING VALUES

SYMBOL	PARAMETER	CONDITIONS	MIN	MAX	UNIT
V_{CESM}	Collector-emitter voltage peak value	$V_{BE} = 0V$	-	70	V
V_{CEO}	Collector-emitter voltage (open base)		-	60	V
V_{EBO}	Emitter-base voltage (open collector)			5	v
I_C	Collector current (DC)		-	10	A
I_B	Base current (DC)		-	6	A
P_{tot}	Total power dissipation	$T_{mb} \leq 25^\circ C$	-	75	W
T_{sta}	Storage temperature		-55	150	$^\circ C$
T_j	Junction temperature		-	150	$^\circ C$

ELECTRICAL CHARACTERISTICS

SYMBOL	PARAMETER	CONDITIONS	MIN	MAX	UNIT
I_{CBO}	Collector-base cut-off current	$V_{CB} = 70V$	-	1.0	mA
I_{EBO}	Emitter-base cut-off current	$V_{EB} = 5V$	-	2.5	mA
$V_{(BR)CEO}$	Collector-emitter breakdown voltage	$I_C = 1mA$	60		v
V_{CEsat}	Collector-emitter saturation voltages	$I_C = 4.0A; I_B = 0.4A$	-	1.2	V
h_{FE}	DC current gain	$I_C = 4.0A; V_{CE} = 4V$	20	100	
f_T	Transition frequency at $f = 5MHz$	$I_C = 0.5A; V_{CE} = 10V$	5	-	MHz
C_c	Collector capacitance at $f = 1MHz$	$V_{CB} = 10V$		350	pF
t_{on}	On times				us
t_s	Turn-off storage time				us
t_f	Fall time				us