

# SHINDENGEN

## Super Fast Recovery Rectifiers

Dual

# D10LC20UR

## 200V 10A

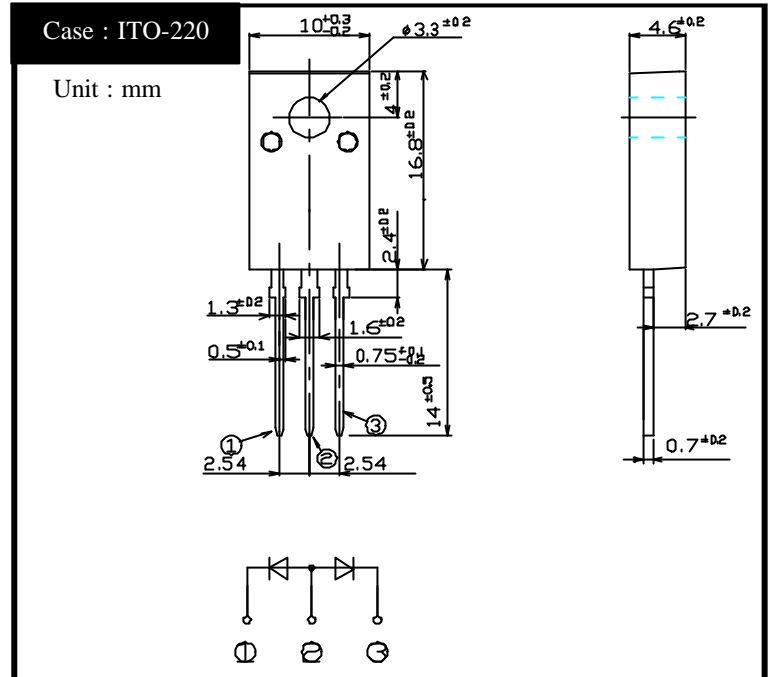
### FEATURES

Low noise  
trr35ns  
Fully Isolated Molding

### APPLICATION

Switching power supply  
Free Wheel  
Home Appliances, Office Equipment  
Telecommunication, Factory Automation

### OUTLINE DIMENSIONS



### RATINGS

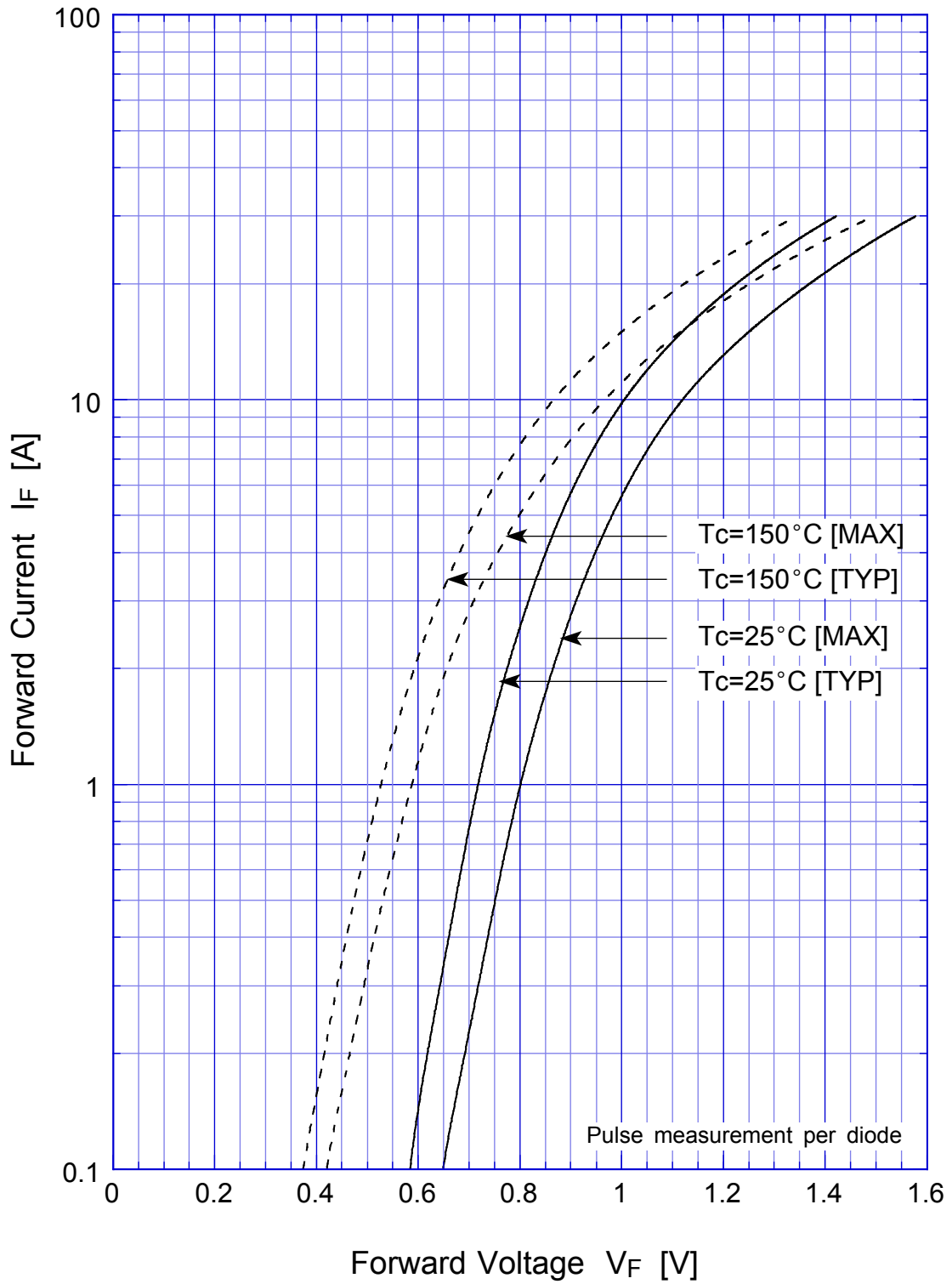
Absolute Maximum Ratings (If not specified Tc=25 )

Item	Symbol	Conditions	Ratings	Unit
Storage Temperature	Tstg		-40 ~ 150	
Operating Junction Temperature	Tj		150	
Maximum Reverse Voltage	V <sub>RM</sub>		200	V
Average Rectified Forward Current	I <sub>O</sub>	50Hz sine wave, R-load, Rating for each diode I <sub>O</sub> /2, Tc=114	10	A
Peak Surge Forward Current	I <sub>FSM</sub>	50Hz sine wave, Non-repetitive 1 cycle peak value, Tj=25	80	A
Dielectric Strength	V <sub>dis</sub>	Terminals to case, AC 1 minute	1.5	kV
Mounting Torque	TOR	(Recommended torque 0.3N·m)	0.5	N·m

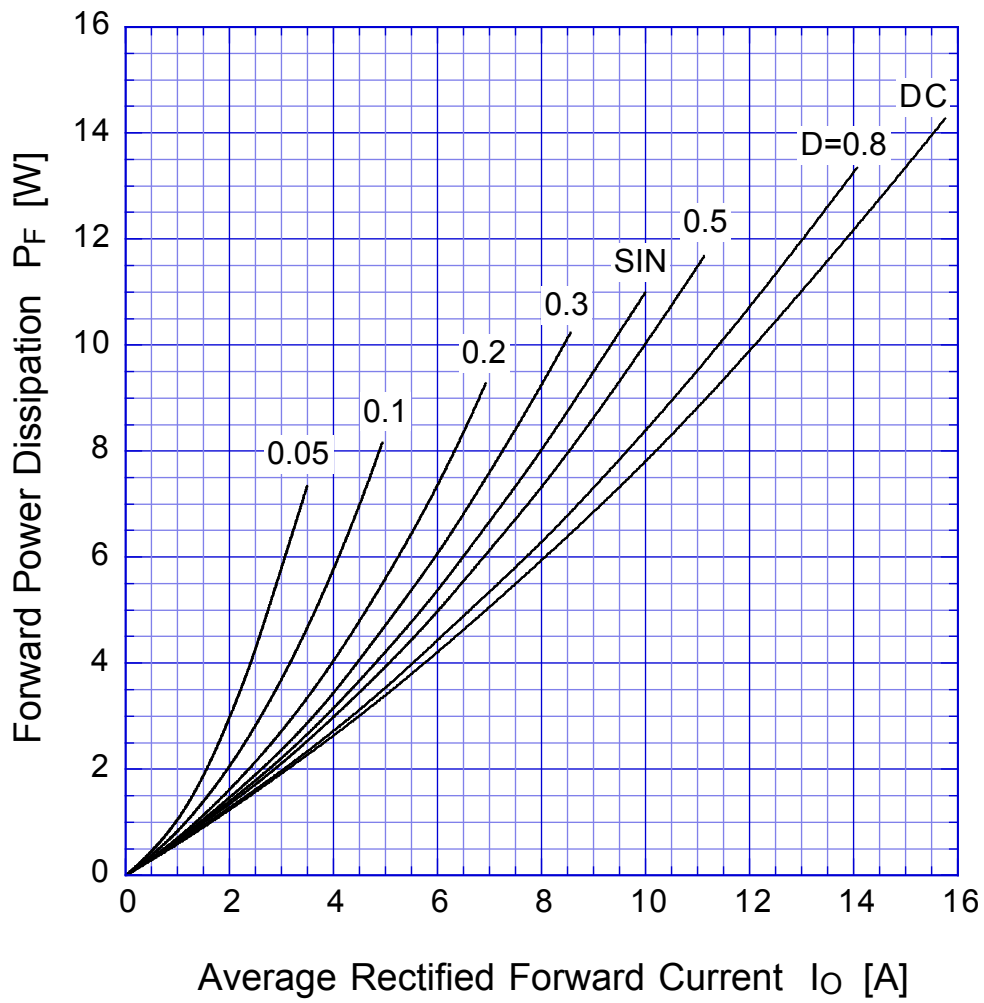
Electrical Characteristics (If not specified Tc=25 )

Item	Symbol	Conditions	Ratings	Unit
Forward Voltage	V <sub>F</sub>	I <sub>F</sub> =5A, Pulse measurement, Rating of per diode	Max.0.98	V
Reverse Current	I <sub>R</sub>	V <sub>R</sub> =V <sub>RM</sub> , Pulse measurement, Rating of per diode	Max.10	μA
Reverse Recovery Time	trr	I <sub>F</sub> =0.5A, I <sub>R</sub> =1A, Rating of per diode	Max.35	ns
Thermal Resistance	θ <sub>JC</sub>	junction to case	Max.3.3	/W

# D10LC20UR Forward Voltage



## D10LC20UR Forward Power Dissipation

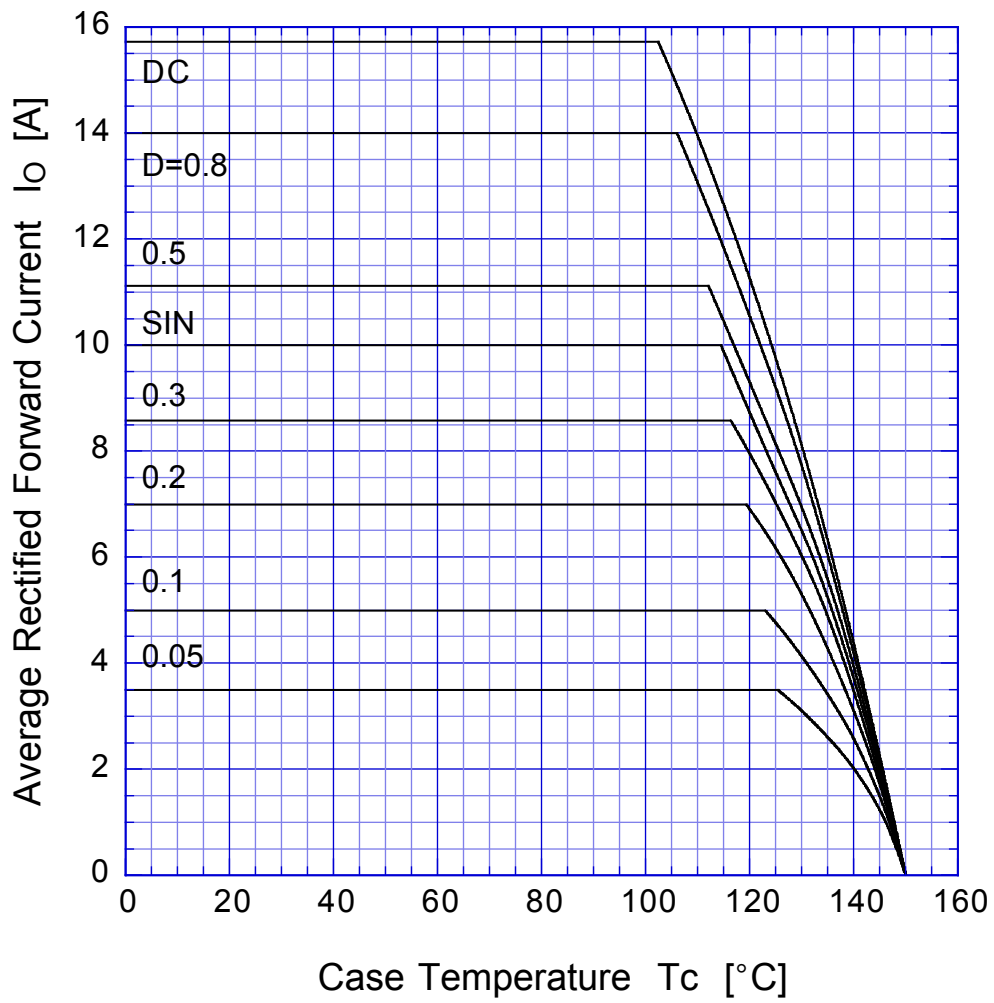


$T_j = T_{jmax}$



# D10LC20UR

## Derating Curve

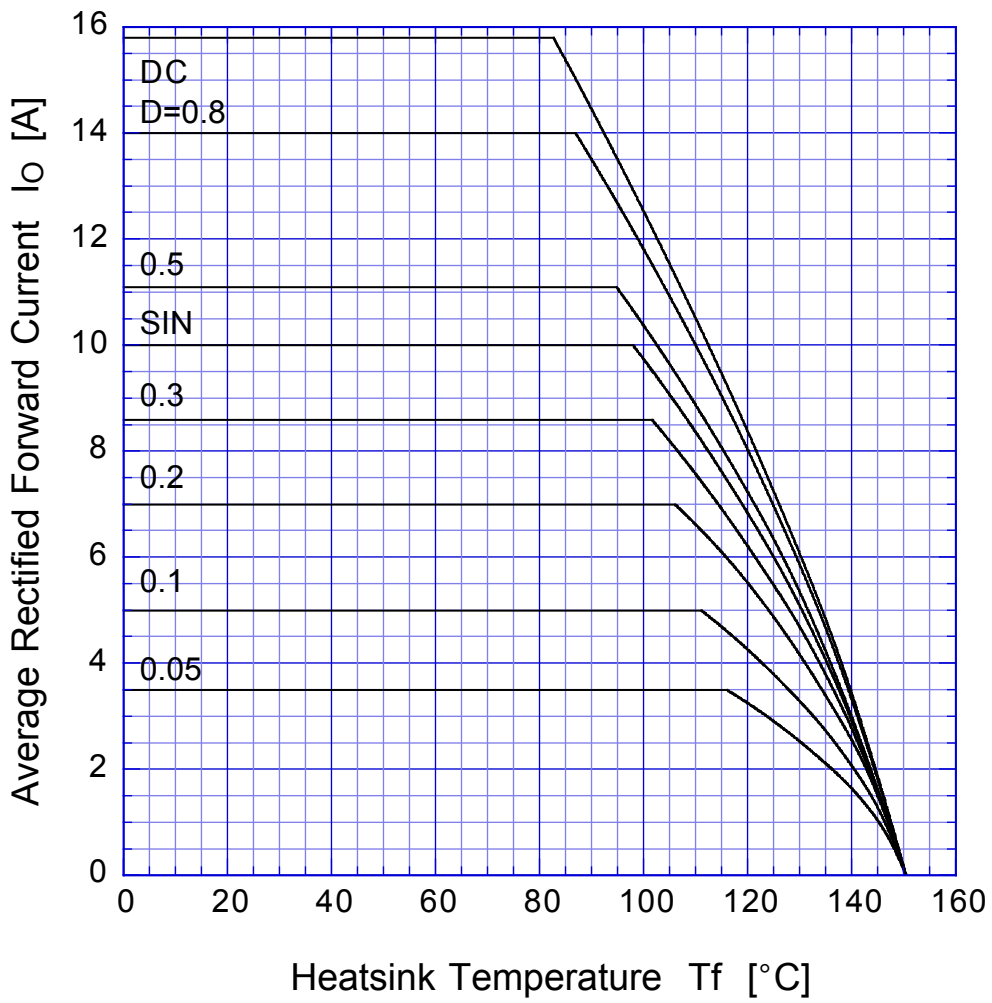


$$V_R = V_{RM}$$

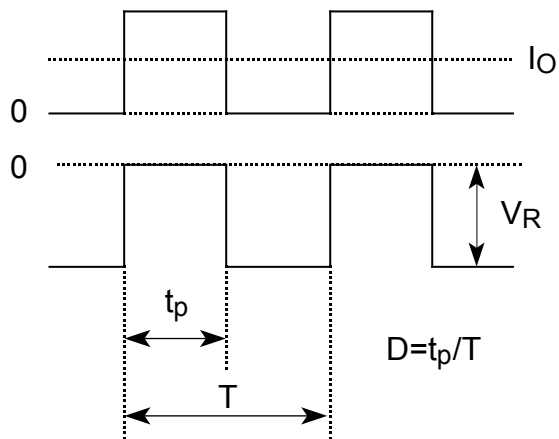


# D10LC20UR

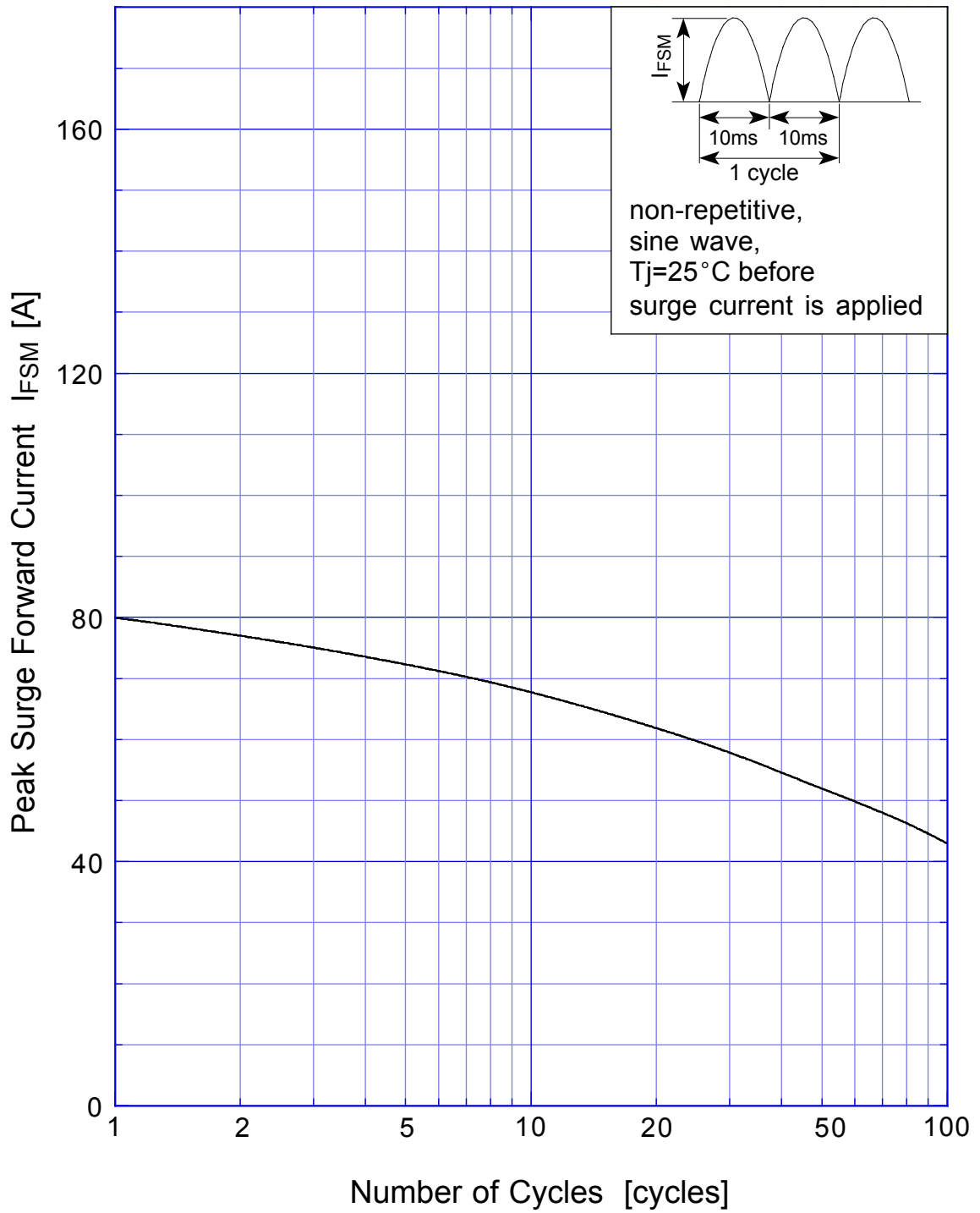
## Derating Curve



$$V_R = V_{RM}$$



# D10LC20UR Peak Surge Forward Capability



# D10LC20UR Junction Capacitance

