

PRODUCT SPECIFICATION

COSMO ELECTRONICS CORP.	Photocoupler : KMOC3063	SHEET 1 OF 3
-----------------------------------	-----------------------------------	--------------

Zero Crossing Optoisolators Triac Driver Output (600V Volts Peak)

- For 115/240 Vac(rms) Application:

Solenoid/Valve Controls	Temperature Controls
Lighting Controls	E.M. Contactors
Static Power Switches	AC Motor Staters
AC Motor Drives	Solid State Relays

- Absolute Maximum Ratings

(Ta=25° C)

	Parameter	Symbol	Rating	Unit
Input	Forward current	IF	50	mA
	Peak forward current	IFM	1	A
	Reverse voltage	VR	6	V
	Power dissipation	PD	70	mW
Output	Off-State Output Terminal voltage	VDRM	600	Vpeak
	Peak Repetitive Surget Current	ITSM	1	A
	Power Dissipation	PD	300	mW
	Total power dissipation	Ptot	330	mW
	Isolation voltage 1 minute	Viso	5000	Vrms
	Operating temperature	Topr	-40 to +80	° C
	Storage temperature	Tstg	-40 to +125	° C
	Soldering temperature 10 seconds	Tsol	260	° C

- Electro-optical Characteristics

(Ta=25° C)

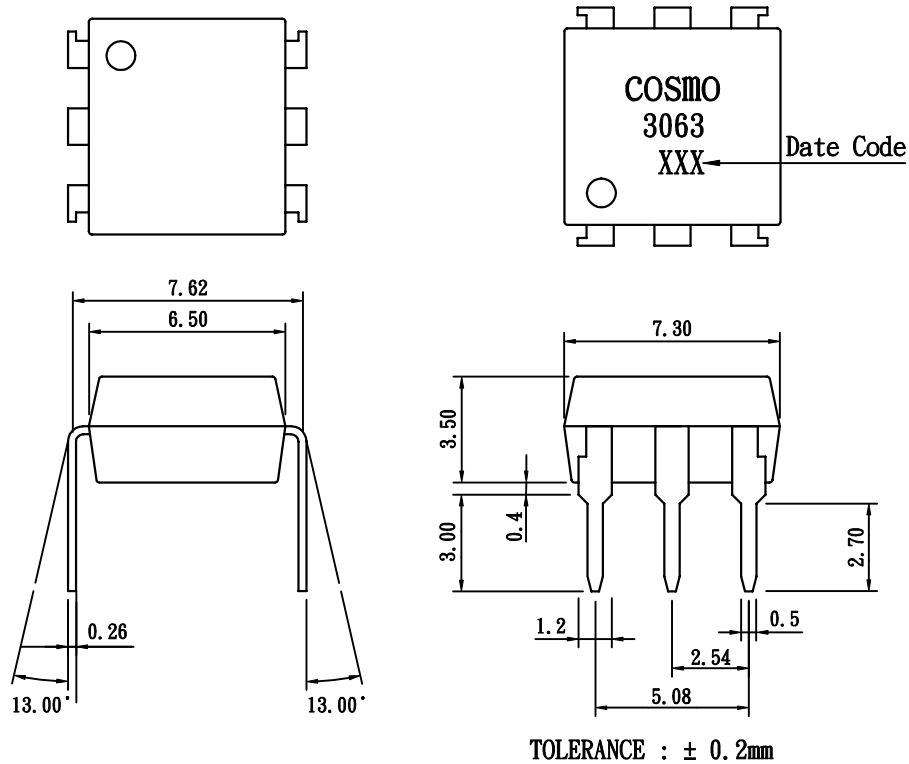
	Parameter	Symbol	Conditions	MIN.	TYP.	MAX.	Unit
Input	Forward voltage	VF	IF =10mA	-	1.2	1.5	V
	Reverse Leakage Current	IR	VR =4V	-	-	10	uA
Output	Peak Blocking Current	IDRM	VDRM =Rated	-	60	500	nA
	ON-State Voltage	VTM	ITM =100mA	-	1.8	3	V
	Critical rate of rise of OFF-state voltage	dV/dt		100	-	-	V/uS
Transfer characteristics	Holding Current	IH		-	100	-	uA
	Inhibit Voltage(MT1-MT2 Voltage above which device not trigger.)	VINH	IF =5mA	-	5	20	V
	Leakage in Inhibited State	IDRM2	IF=Rated IFR, Rated VDRM, Off State	-	-	500	uA
	Isolation resistance	Riso	DC500V	5x10 ¹⁰	10 ¹¹	-	ohm
	Minimum trigger current	IFt	Main Terminal Voltage=3V	-	-	5	mA

Jan-10-2001

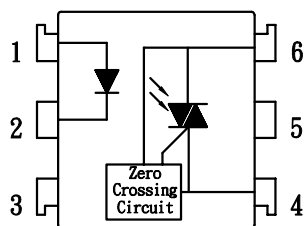
PRODUCT SPECIFICATION

<p>COSMO ELECTRONICS CORP.</p>	<p>Photocoupler : KMOC3063</p>	<p>SHEET 2 OF 3</p>
---	---	---------------------

1. OUTSIDE DIMENSION : UNIT (mm)



2. SCHEMATIC : TOP VIEW



1. Anode
2. Cathode
3. NC
4. MAIN TERMINAL
5. SUBSTRATE
DO NOT CONNECT
6. MAIN TERMINAL

PRODUCT SPECIFICATION

COSMO ELECTRONICS CORP.	Photocoupler : KMOC3063	SHEET 3 OF 3
-----------------------------------	-----------------------------------	---------------------

Figure 1. On-State Characteristics

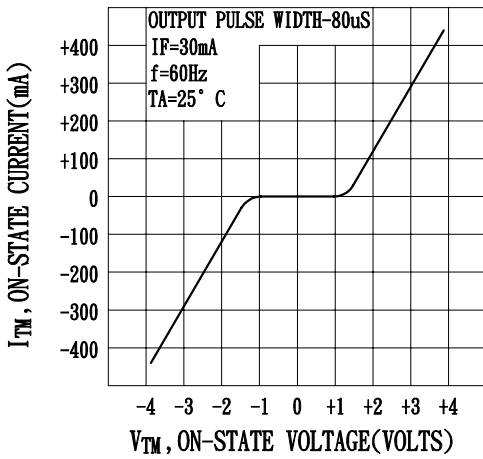


Figure 2. Inhibit Voltage versus Temperature

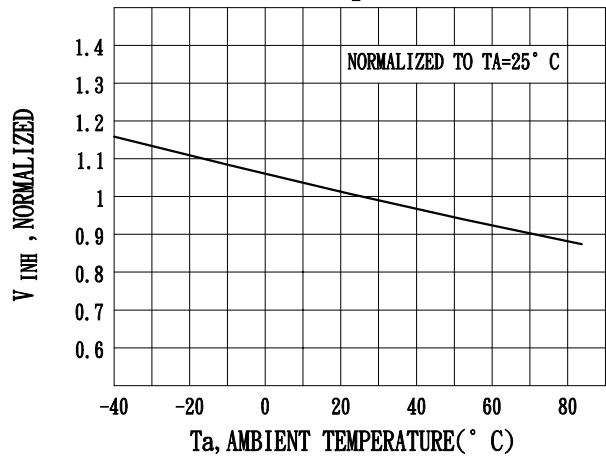


Figure 3. Leakage with LED Off versus Temperature

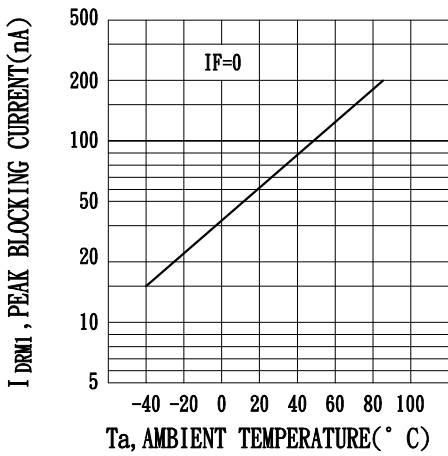


Figure 4. I_DRM2, Leakage in Inhibit State versus Temperature

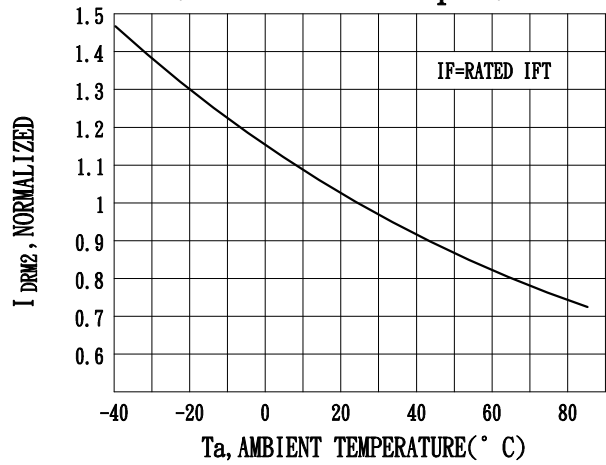


Figure 5. Trigger Current versus Temperature

