

DATA SHEET

SA617

Low-voltage high performance mixer
FM IF system

Product specification
Replaces data of November 3, 1992
IC17 Data Handbook

1997 Nov 07

Philips Semiconductors



PHILIPS

Low-voltage high performance mixer FM IF system

SA617

DESCRIPTION

The SA617 is a low voltage high performance monolithic FM IF system incorporating a mixer/oscillator, two limiting intermediate frequency amplifiers, quadrature detector, logarithmic received signal strength indicator (RSSI), voltage regulator and audio and RSSI op amps. The SA617 is available in 20-lead SSOP package.

The SA617 was designed for portable communication applications and will function down to 2.7V. The RF section is similar to the famous SA605. The audio output has an internal amplifier with the feedback pin accessible. The RSSI output is buffered. The SA617 also has an extra limiter output. This signal is buffered from the output of the limiter and can be used to perform frequency check. This is accomplished by comparing a reference frequency with the frequency check signal using a comparator to a varactor or PLL at the oscillator inputs.

FEATURES

- Low power consumption: 3.5mA typical at 3V
- Mixer input to >150MHz
- Mixer conversion power gain of 17dB at 45MHz
- XTAL oscillator effective to 150MHz (L.C. oscillator or external oscillator can be used at higher frequencies)
- 102dB of IF Amp/Limiter gain
- 2MHz IF amp/limiter small signal bandwidth
- Temperature compensated logarithmic Received Signal Strength Indicator (RSSI) with a 80dB dynamic range
- Low external component count; suitable for crystal/ceramic/LC filters
- Excellent sensitivity: 0.31 μ V into 50 Ω matching network for 12dB SINAD (Signal to Noise and Distortion ratio) for 1kHz tone, 8kHz deviation with RF at 45MHz and IF at 455kHz
- SA617 meets cellular radio specifications
- Audio output internal op amp
- RSSI output internal op amp
- Buffered frequency check output

ORDERING INFORMATION

DESCRIPTION	TEMPERATURE RANGE	ORDER CODE	DWG #
20-Pin Plastic Shrink Small Outline Package (SSOP) (Surface-mount)	-40 to +85°C	SA617DK	SOT266-1

PIN CONFIGURATION

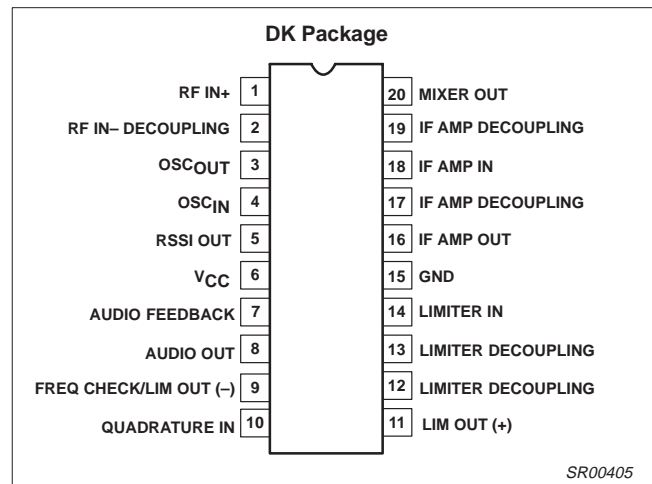


Figure 1. Pin Configuration

- Internal op amps with rail-to-rail outputs
- ESD protection: Human Body Model 2kV
Robot Model 200V

APPLICATIONS

- Portable cellular radio FM IF
- Cordless phones
- Narrow band cellular applications (NAMPS/NTACS)
- RF level meter
- Spectrum analyzer
- Instrumentation
- FSK and ASK data receivers
- Log amps
- Portable high performance communication receivers
- Single conversion VHF receivers
- Wireless systems

Low-voltage high performance mixer FM IF system

SA617

BLOCK DIAGRAM

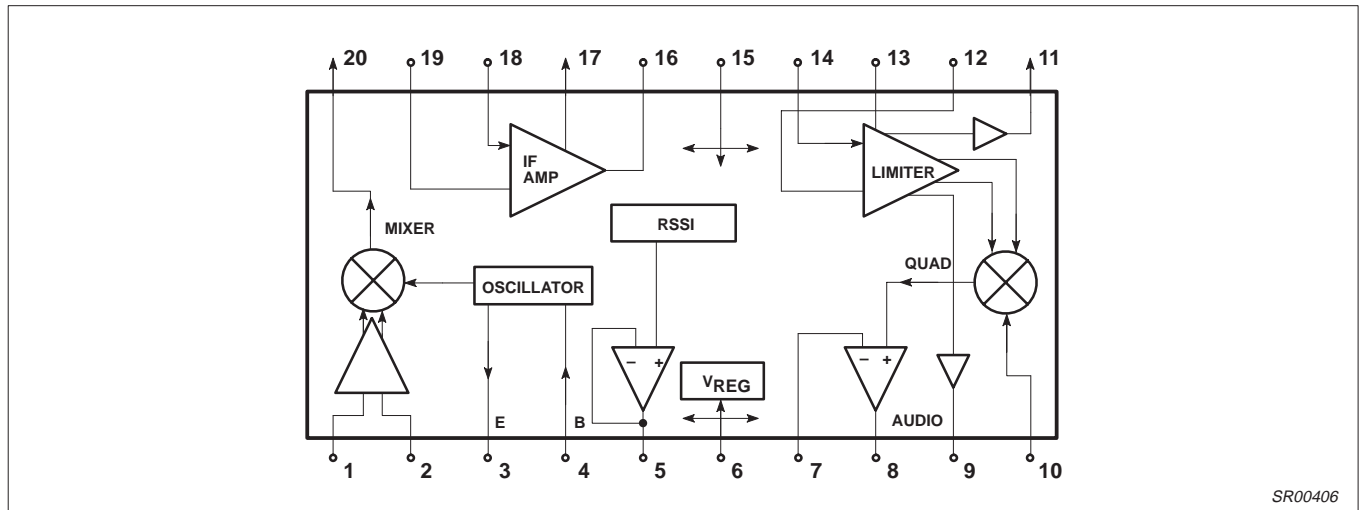


Figure 2. Block Diagram

ABSOLUTE MAXIMUM RATINGS

SYMBOL	PARAMETER	RATING	UNITS
V_{CC}	Single supply voltage	7	V
T_{STG}	Storage temperature range	-65 to +150	°C
T_A	Operating ambient temperature range SA617	-40 to +85	°C
θ_{JA}	Thermal impedance DK package	117	°C/W

DC ELECTRICAL CHARACTERISTICS

$V_{CC} = +3V$, $T_A = 25^\circ C$; unless otherwise stated.

SYMBOL	PARAMETER	TEST CONDITIONS	LIMITS			UNITS
			SA617			
			MIN	TYP	MAX	
V_{CC}	Power supply voltage range		2.7		7.0	V
I_{CC}	DC current drain			3.5	5.0	mA

Low-voltage high performance mixer FM IF system

SA617

AC ELECTRICAL CHARACTERISTICS

$T_A = 25^\circ\text{C}$; $V_{CC} = +3\text{V}$, unless otherwise stated. RF frequency = 45MHz + 14.5dBV RF input step-up; IF frequency = 455kHz; $R_{17} = 2.4\text{k}$; $R_{18} = 3.3\text{k}$; RF level = -45dBm ; FM modulation = 1kHz with $\pm 8\text{kHz}$ peak deviation. Audio output with de-emphasis filter and C-message weighted filter. Test circuit NO TAG. The parameters listed below are tested using automatic test equipment to assure consistent electrical characteristics. The limits do not represent the ultimate performance limits of the device. Use of an optimized RF layout will improve many of the listed parameters.

SYMBOL	PARAMETER	TEST CONDITIONS	LIMITS			UNITS
			SA617			
			MIN	TYP	MAX	
Mixer/Osc section (ext LO = 220mV_{RMS})						
f_{IN}	Input signal frequency			150		MHz
f_{OSC}	Crystal oscillator frequency			150		MHz
	Noise figure at 45MHz			6.8		dB
	Third-order input intercept point (50 Ω source)	$f_1 = 45.0$; $f_2 = 45.06\text{MHz}$ Input RF Level = -52dBm		-9		dBm
	Conversion power gain	Matched 14.5dBV step-up	11.0	17		dB
		50 Ω source		+2.5		dB
	RF input resistance	Single-ended input		8		k Ω
	RF input capacitance			3.0	4.0	pF
	Mixer output resistance	(Pin 20)	1.25	1.5		k Ω
IF section						
	IF amp gain	50 Ω source		44		dB
	Limiter gain	50 Ω source		58		dB
	Input limiting -3dB , $R_{17} = 2.4\text{k}$	Test at Pin 18		-105		dBm
	AM rejection	80% AM 1kHz		40		dB
	Audio level	Gain of two (2k Ω AC load)	60	114		mV
	SINAD sensitivity	RF level -110dB		13		dB
THD	Total harmonic distortion		-30	-45		dB
S/N	Signal-to-noise ratio	No modulation for noise		62		dB
	IF RSSI output, $R_g = 2\text{k}\Omega^1$	IF level = -118dBm		0.3	0.8	V
		IF level = -68dBm	.70	1.1	2.0	V
		IF level = -23dBm	1.0	1.8	2.5	V
	RSSI range			80		dB
	RSSI accuracy			± 2.0		dB
	IF input impedance		1.3	1.5		k Ω
	IF output impedance			0.3		k Ω
	Limiter input impedance		1.30	1.5		k Ω
	Limiter output impedance	(Pin 11)		200		Ω
	Limiter output level	(Pin 11) No load		130		mV _{RMS}
		(Pin 11) 2.4k Ω load		115		
	Frequency Check/limiter output impedance	(Pin 9)		200		Ω
	Frequency Check/limiter output level	(Pin 9) No load		130		mV _{RMS}
		(Pin 9) 2.4k Ω load		115		
RF/IF section (int LO)						
	Audio level	$3\text{V} = V_{CC}$, RF level = -27dBm		240		mV _{RMS}
	System RSSI output	$3\text{V} = V_{CC}$, RF level = -27dBm		2.2		V
	System SINAD sensitivity	RF level = -117dBm		12		dB

NOTE:

- The generator source impedance is 50 Ω , but the SA617 input impedance at Pin 18 is 1500 Ω . As a result, IF level refers to the actual signal that enters the SA617 input (Pin 18) which is about 21dB less than the "available power" at the generator.

Low-voltage high performance mixer FM IF system

SA617

CIRCUIT DESCRIPTION

The SA617 is an IF signal processing system suitable for second IF systems with input frequency as high as 150MHz. The bandwidth of the IF amplifier and limiter is at least 2MHz with 90dB of gain. The gain/bandwidth distribution is optimized for 455kHz, 1.5k Ω source applications. The overall system is well-suited to battery operation as well as high performance and high quality products of all types.

The input stage is a Gilbert cell mixer with oscillator. Typical mixer characteristics include a noise figure of 6.2dB, conversion gain of 17dB, and input third-order intercept of -9dBm. The oscillator will operate in excess of 200MHz in L/C tank configurations. Hartley or Colpitts circuits can be used up to 100MHz for xtal configurations. Butler oscillators are recommended for xtal configurations up to 150MHz.

The output impedance of the mixer is a 1.5k Ω resistor permitting direct connection to a 455kHz ceramic filter. The input resistance of the limiting IF amplifiers is also 1.5k Ω . With most 455kHz ceramic filters and many crystal filters, no impedance matching network is necessary. The IF amplifier has 43dB of gain and 5.5MHz bandwidth. The IF limiter has 60dB of gain and 4.5MHz bandwidth. To achieve optimum linearity of the log signal strength indicator, there must be a 12dB(v) insertion loss between the first and second IF stages. If the IF filter or interstage network does not cause 12dB(v) insertion loss, a fixed or variable resistor or an L pad for simultaneous loss and impedance matching can be added between the first IF output (Pin 16) and the interstage network. The overall gain will then be 90dB with 2MHz bandwidth.

The signal from the second limiting amplifier goes to a Gilbert cell quadrature detector. One port of the Gilbert cell is internally driven by the IF. The other output of the IF is AC-coupled to a tuned quadrature network. This signal, which now has a 90 $^\circ$ phase relationship to the internal signal, drives the other port of the multiplier cell.

The demodulated output of the quadrature drives an internal op amp. This op amp can be configured as a unity gain buffer, or for simultaneous gain, filtering, and 2nd-order temperature compensation if needed. It can drive an AC load as low as 2k Ω with a rail-to-rail output.

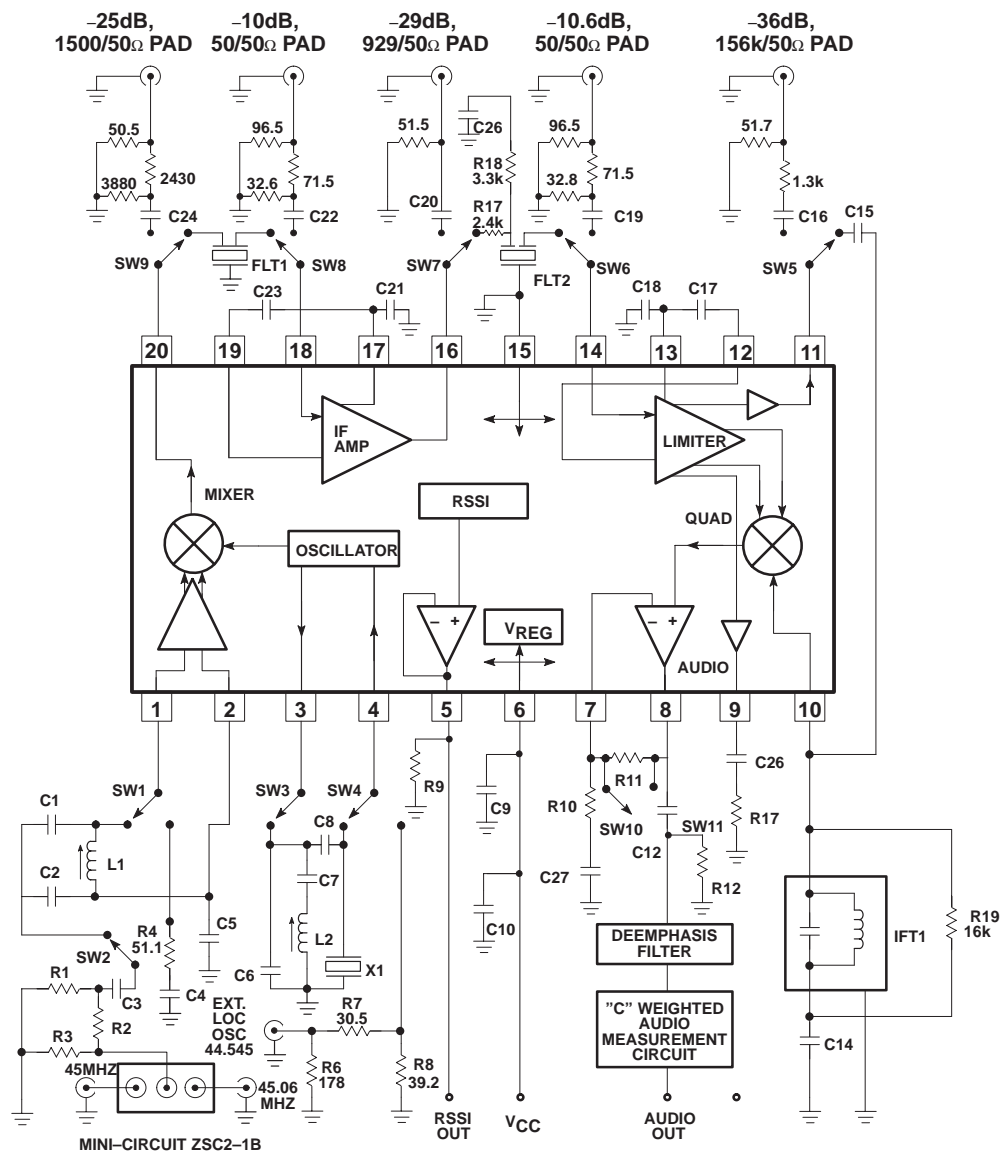
A log signal strength completes the circuitry. The output range is greater than 90dB and is temperature compensated. This log signal strength indicator exceeds the criteria for AMPs or TACs cellular telephone. This signal is buffered through an internal unity gain op amp. The frequency check pin provides a buffered limiter output. This is useful for implementing an AFC (Automatic Frequency Check) function. This same output can also be used in conjunction with limiter output (Pin 11) for demodulating FSK (Frequency Shift Keying) data. Both pins are of the same amplitude, but 180 $^\circ$ out of phase.

NOTE: Limiter output or Frequency Check output has drive capability of a load minimum of 2k Ω or higher to obtain 115mV output level.

NOTE: $\text{dB(v)} = 20\log V_{\text{OUT}}/V_{\text{IN}}$

Low-voltage high performance mixer FM IF system

SA617



Automatic Test Circuit Component List

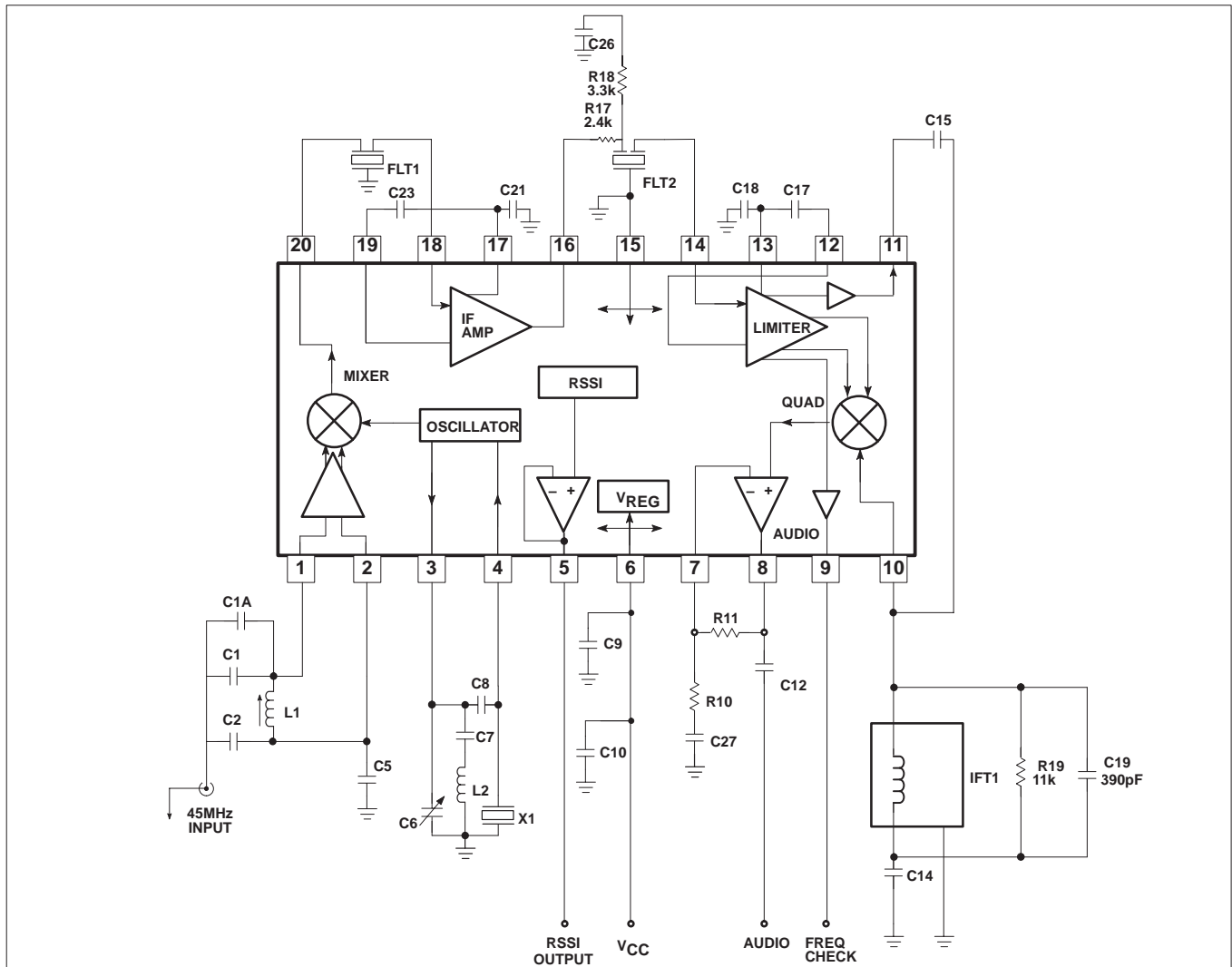
- | | | | |
|-----|-------------------------------|-------|---|
| C1 | 100pF NPO Ceramic | C26 | 0.1μF ±10% Monolithic Ceramic |
| C2 | 390pF NPO Ceramic | C27 | 2.2μF |
| C5 | 100nF ±10% Monolithic Ceramic | Flt 1 | Ceramic Filter Murata SFG455A3 or equiv |
| C6 | 22pF NPO Ceramic | Flt 2 | Ceramic Filter Murata SFG455A3 or equiv |
| C7 | 1nF Ceramic | IFT 1 | 455kHz (Ce = 180pF) Toko RMC-2A6597H |
| C8 | 10.0pF NPO Ceramic | L1 | 147-160nH Coilcraft UNI-10/142-04J08S |
| C9 | 100nF ±10% Monolithic Ceramic | L2 | 3.3μH nominal
Toko 292CNS-T1046Z |
| C10 | 15μF Tantalum (minimum) | X1 | 44.545MHz Crystal ICM4712701 |
| C12 | 2.2μF | R9 | 2kΩ ±1% 1/4W Metal Film |
| C14 | 100nF ±10% Monolithic Ceramic | R10 | 8.2kΩ ±1% |
| C15 | 10pF NPO Ceramic | R11 | 10kΩ ±1% |
| C17 | 100nF ±10% Monolithic Ceramic | R12 | 2kΩ ±1% |
| C18 | 100nF ±10% Monolithic Ceramic | R14 | 10kΩ ±1% |
| C21 | 100nF ±10% Monolithic Ceramic | R17 | 2.4kΩ ±5% 1/4W Carbon Composition |
| C23 | 100nF ±10% Monolithic Ceramic | R18 | 3.3kΩ ±5% 1/4W Carbon Composition |
| C25 | 100nF ±10% Monolithic Ceramic | R19 | 16kΩ ±5% 1/4W Carbon Composition |

SR00407

Figure 3. SA617 45MHz Test Circuit (Relays as shown)

Low-voltage high performance mixer FM IF system

SA617



SA617DK
Application Component List

- | | |
|--|--|
| C1A 18pF NPO Ceramic | C23 100nF ±10% Monolithic Ceramic |
| C1 33pF NPO Ceramic | C26 100nF ±10% Monolithic Ceramic |
| C2 220pF NPO Ceramic | C27 2.2µF Tantalum |
| C5 100nF ±10% Monolithic Ceramic | Flt 1 Ceramic Filter Murata SFG455A3 or equiv |
| C6 30pF trim cap | Flt 2 Ceramic Filter Murata SFG455A3 or equiv |
| C7 1nF Ceramic | IFT 1 330µH TOKO 303LN-1130 |
| C8 10.0pF NPO Ceramic | L1 .33µH TOKO SCB-1320Z |
| C9 100nF ±10% Monolithic Ceramic | L2 1.2µH |
| C10 15µF Tantalum (minimum) | X1 44.545MHz Crystal ICM4712701 |
| C12 2.2µF ±10% Tantalum | R5 Not Used in Application Board (see Note 8, pg 8) |
| C14 100nF ±10% Monolithic Ceramic | R10 8.2k ±5% 1/4W Carbon Composition |
| C15 10pF NPO Ceramic | R11 10k ±5% 1/4W Carbon Composition |
| C17 100nF ±10% Monolithic Ceramic | R17 2.4k ±5% 1/4W Carbon Composition |
| C18 100nF ±10% Monolithic Ceramic | R18 3.3k ±5% 1/4W Carbon Composition |
| C19 390pF ±10% Monolithic Ceramic | R19 11k ±5% 1/4W Carbon Composition |
| C21 100nF ±10% Monolithic Ceramic | |

SR00408

Figure 4. SA617 45MHz Application Circuit

Low-voltage high performance mixer FM IF system

SA617

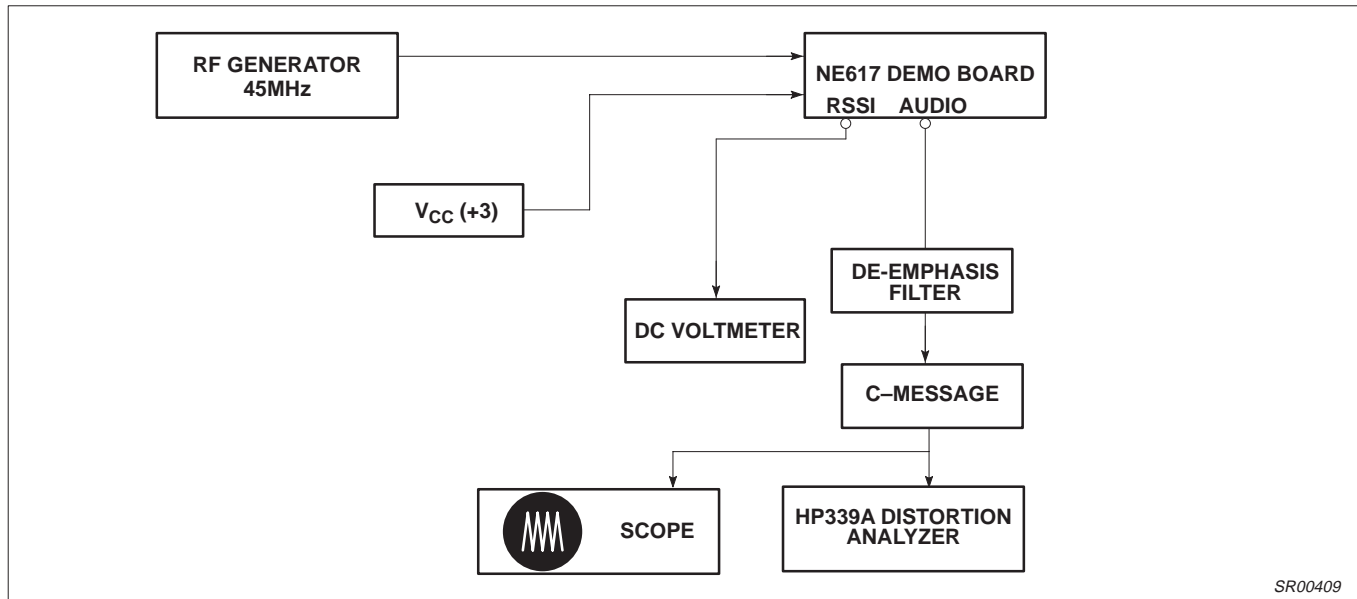


Figure 5. SA617 Application Circuit Test Set Up

NOTES:

1. C-message: The C-message and de-emphasis filter combination has a peak gain of 10 for accurate measurements. Without the gain, the measurements may be affected by the noise of the scope and HP339 analyzer. The de-emphasis filter has a fixed -6dB/Octave slope between 300Hz and 3kHz.
2. Ceramic filters: The ceramic filters can be 30kHz SFG455A3s made by Murata which have 30kHz IF bandwidth (they come in blue), or 16kHz CFU455Ds, also made by Murata (they come in black). All of our specifications and testing are done with the more wideband filter.
3. RF generator: Set your RF generator at 45.000MHz, use a 1kHz modulation frequency and a 6kHz deviation if you use 16kHz filters, or 8kHz if you use 30kHz filters.
4. Sensitivity: The measured typical sensitivity for 12dB SINAD should be 0.35 μ V or -116dBm at the RF input.
5. Layout: The layout is very critical in the performance of the receiver. We highly recommend our demo board layout.
6. RSSI: The smallest RSSI voltage (i.e., when no RF input is present and the input is terminated) is a measure of the quality of the layout and design. If the lowest RSSI voltage is 500mV or higher, it means the receiver is in regenerative mode. In that case, the receiver sensitivity will be worse than expected.
7. Supply bypass and shielding: All of the inductors, the quad tank, and their shield must be grounded. A 10-15 μ F or higher value tantalum capacitor on the supply line is essential. A low frequency ESR screening test on this capacitor will ensure consistent good sensitivity in production. A 0.1 μ F bypass capacitor on the supply pin, and grounded near the 44.545MHz oscillator improves sensitivity by 2-3dB.
8. R5 can be used to bias the oscillator transistor at a higher current for operation above 45MHz. Recommended value is 22k Ω , but should not be below 10k Ω .

Low-voltage high performance mixer FM IF system

SA617

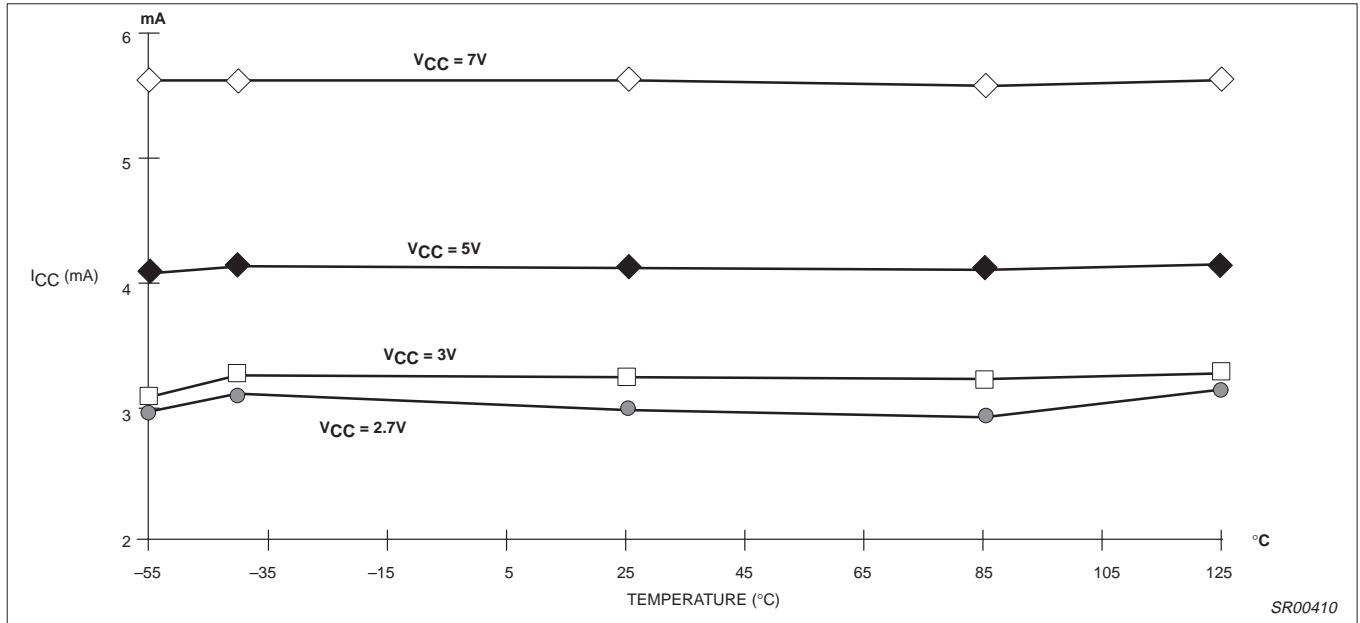


Figure 6. I_{CC} vs Temperature

SR00410

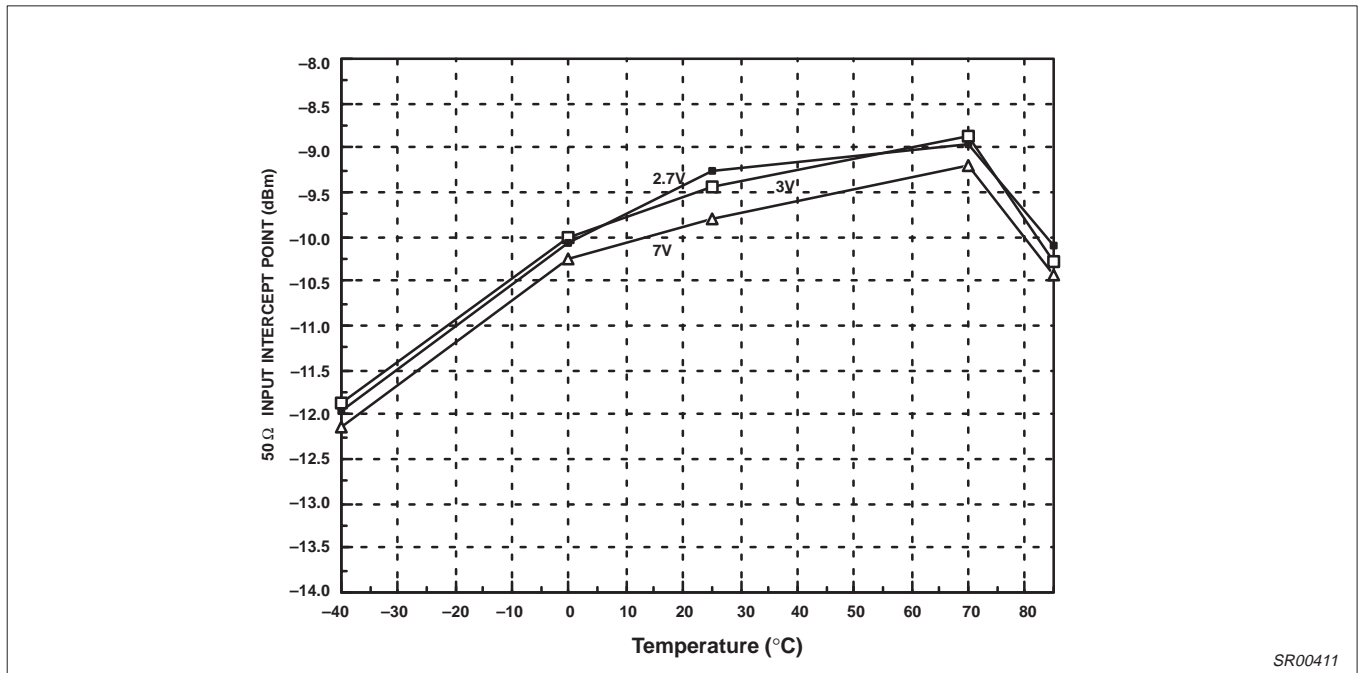
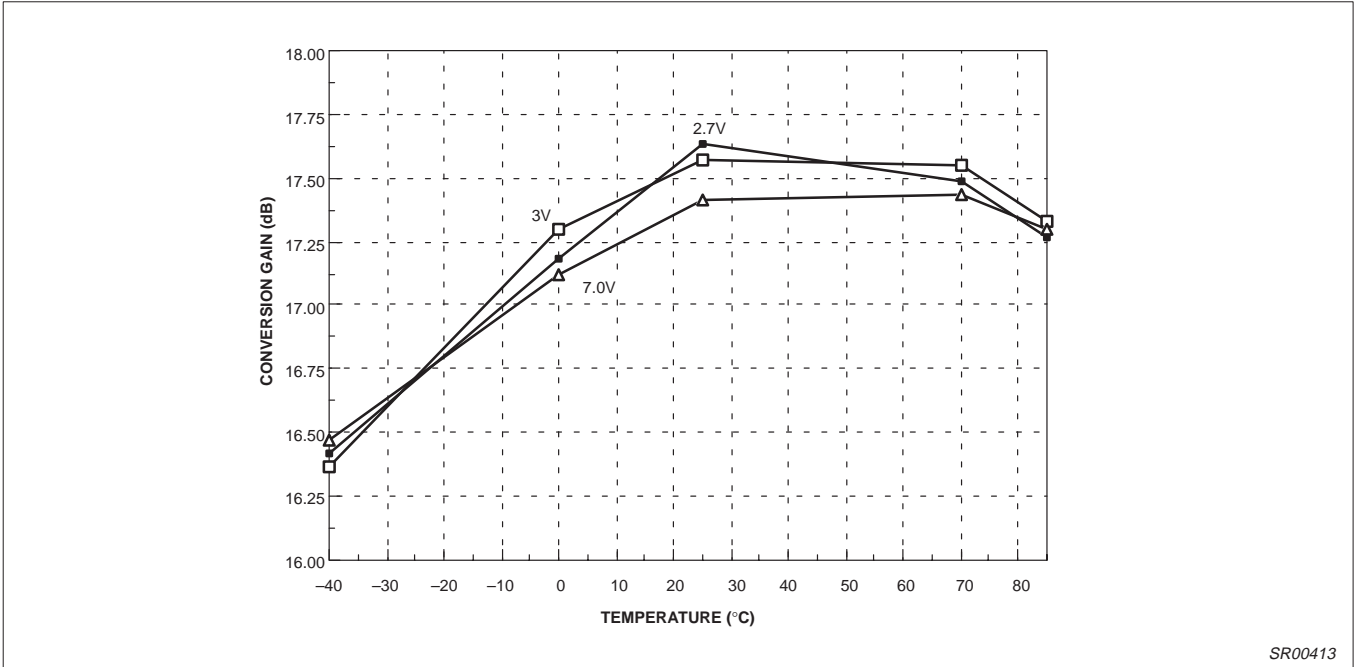


Figure 7. Third Order Intercept Point vs Supply Voltage

SR00411

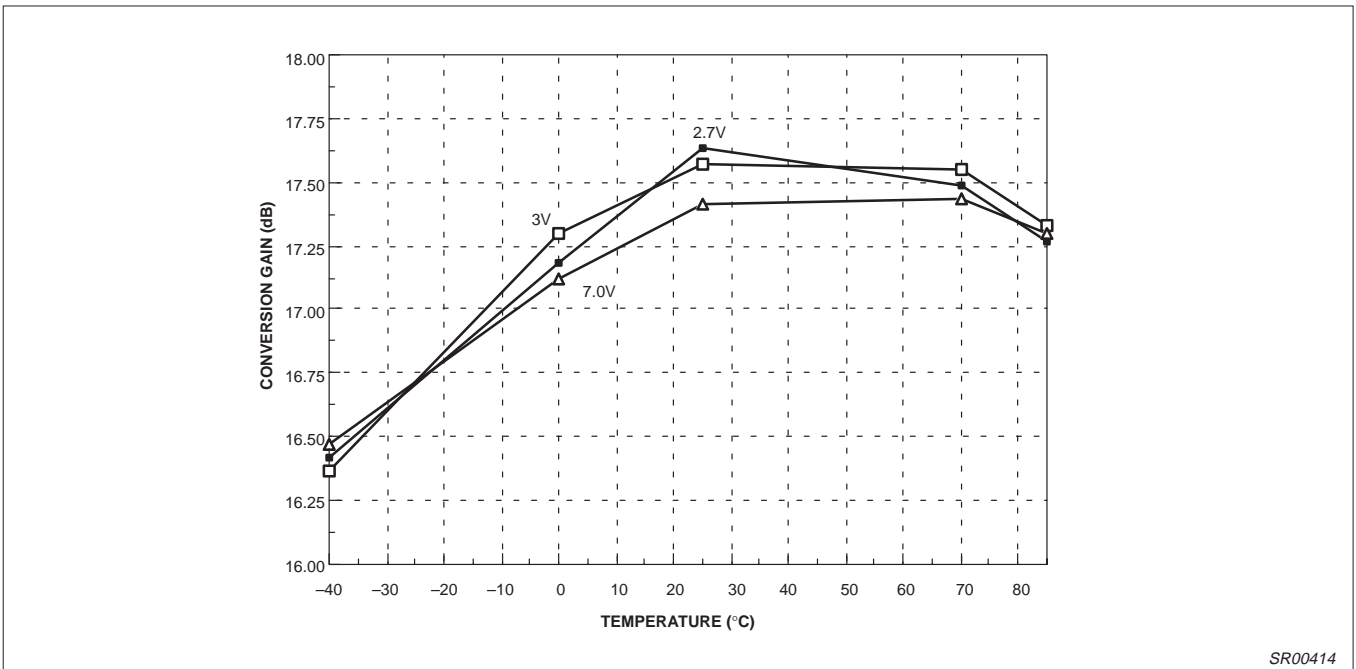
Low-voltage high performance mixer FM IF system

SA617



SR00413

Figure 8. Mixer Noise Figure vs Supply Voltage



SR00414

Figure 9. Conversion Gain vs Supply Voltage

Low-voltage high performance mixer FM IF system

SA617

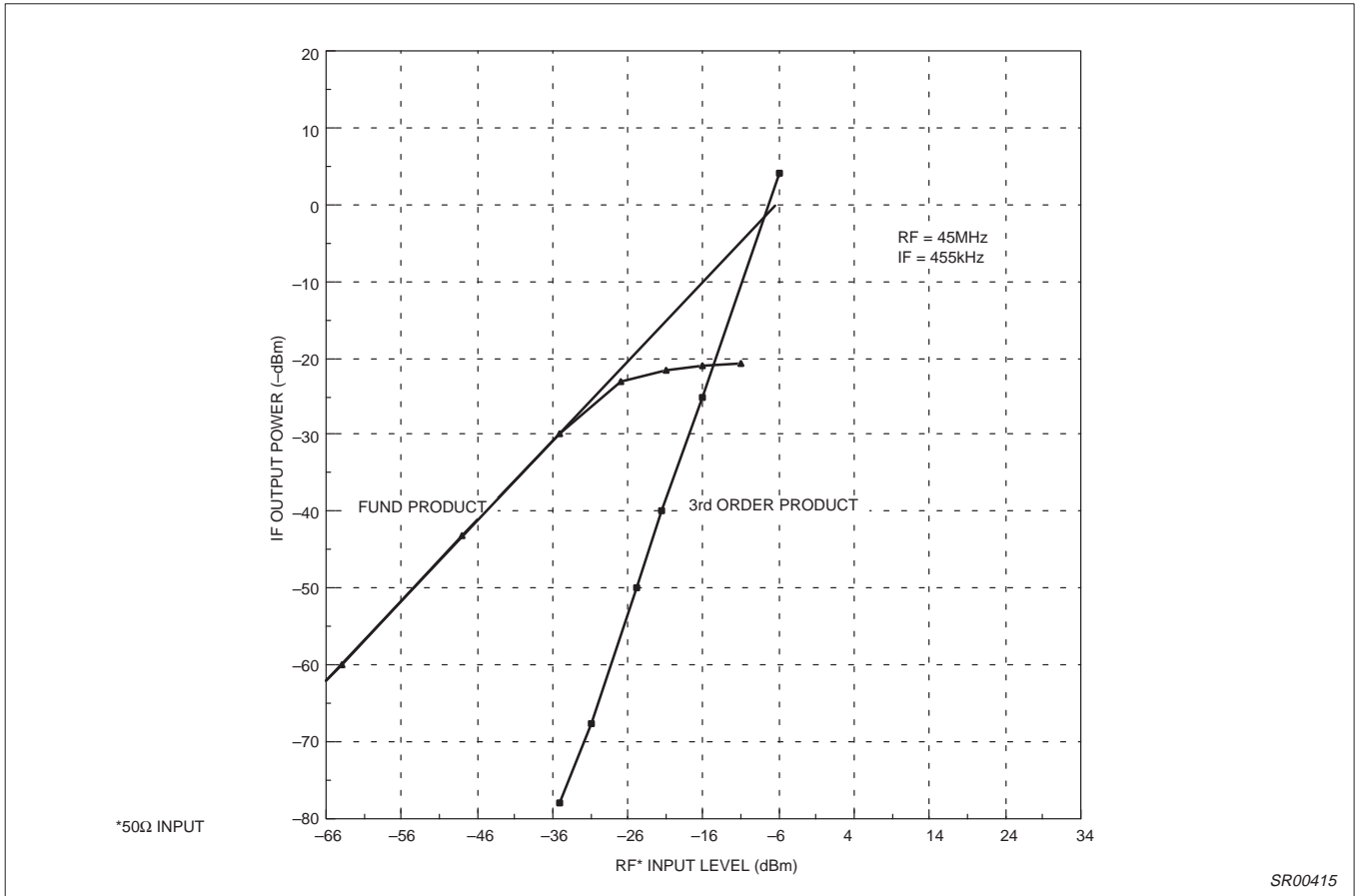


Figure 10. Mixer Third Order Intercept and Compression

Low-voltage high performance mixer FM IF system

SA617

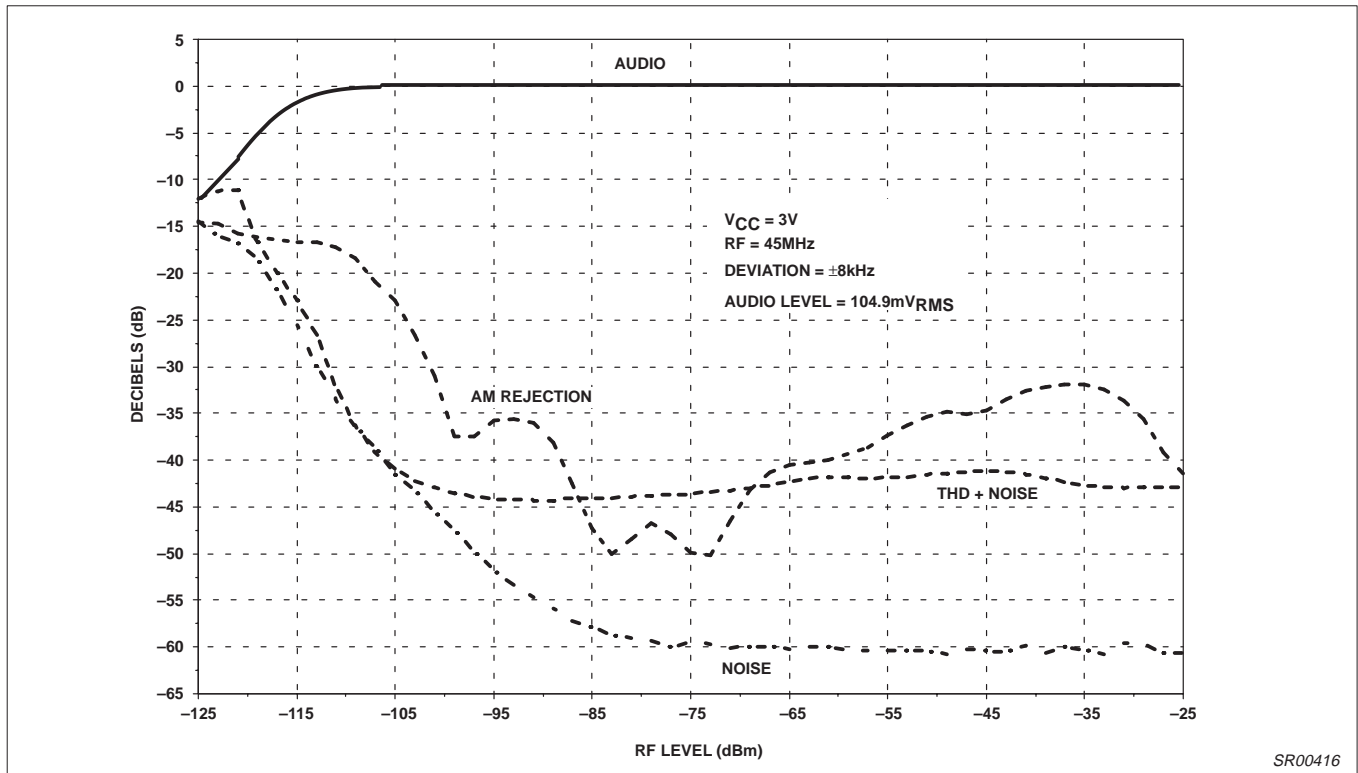


Figure 11. Sensitivity vs RF Level (-40°C)

SR00416

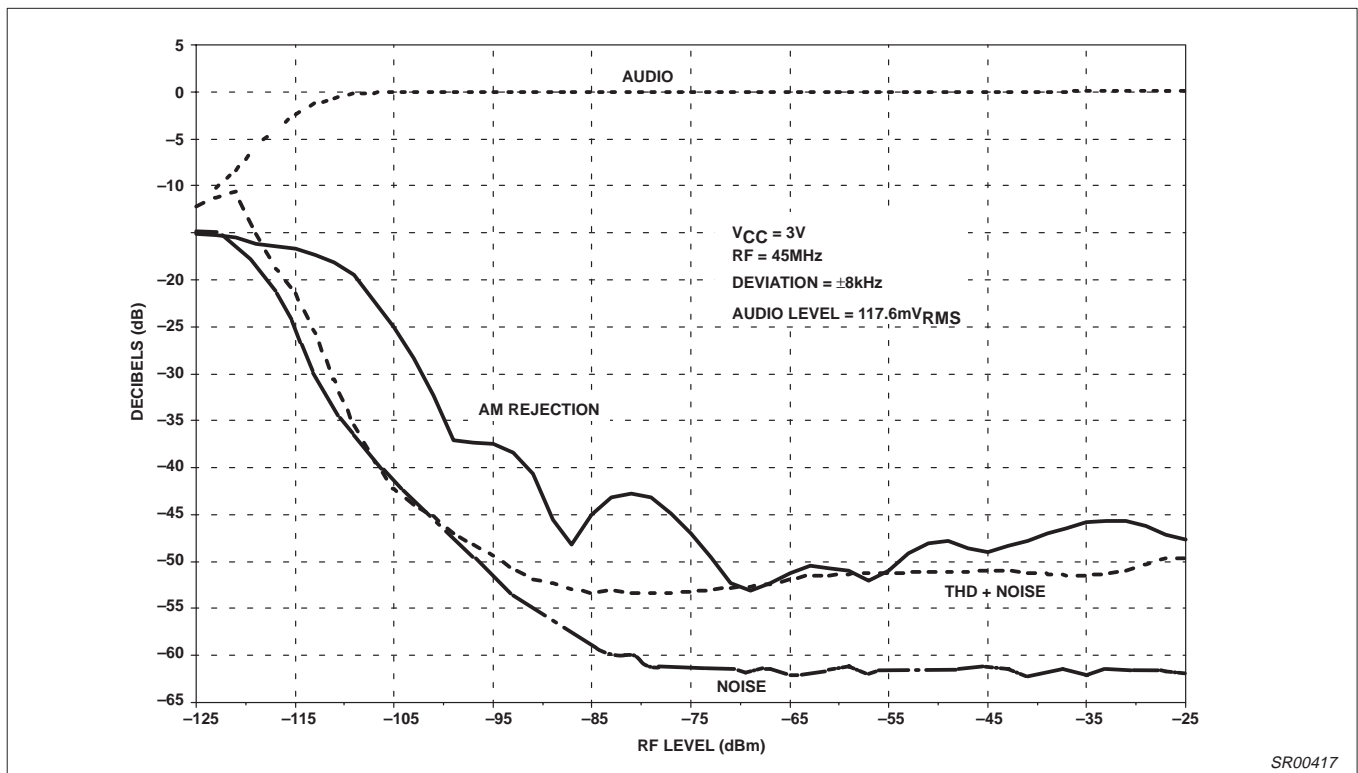


Figure 12. Sensitivity vs RF Level (+25°C)

SR00417

Low-voltage high performance mixer FM IF system

SA617

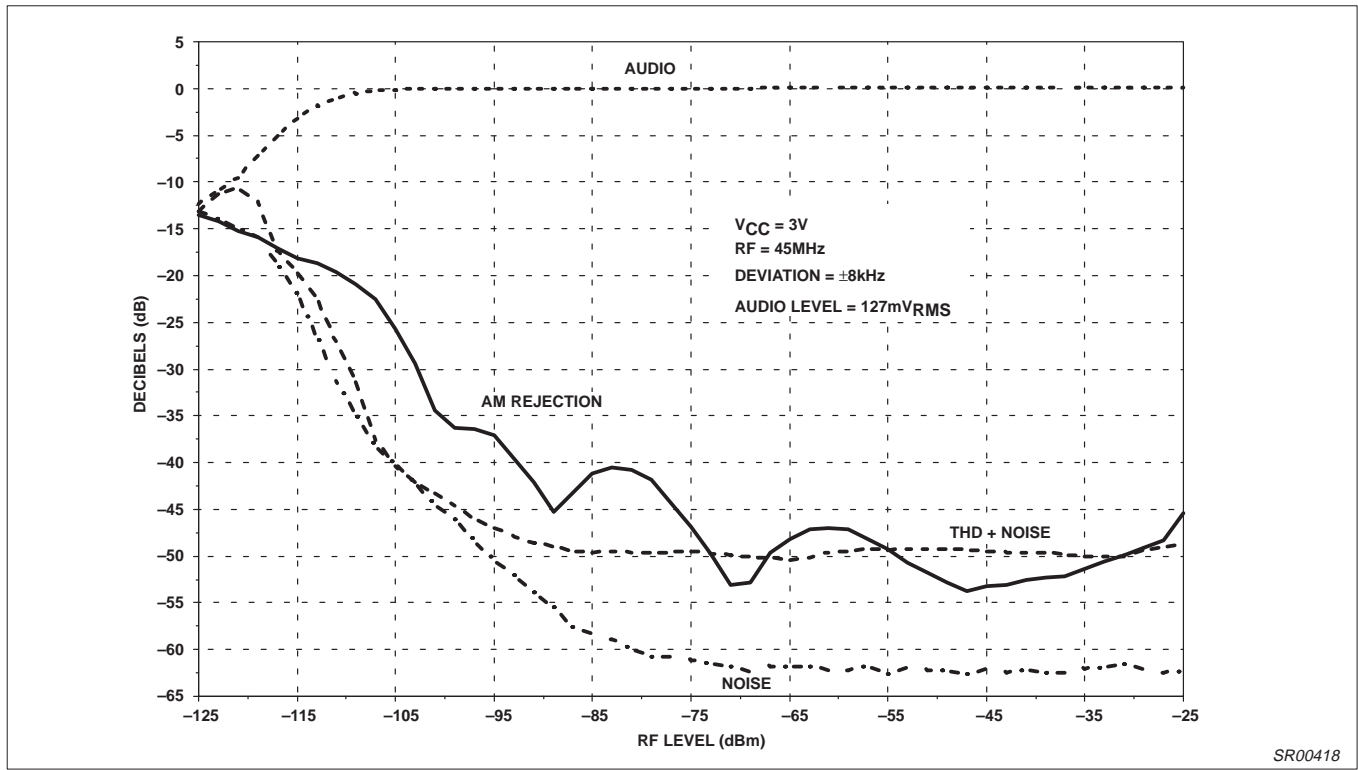


Figure 13. Sensitivity vs RF Level (Temperature 85°C)

SR00418

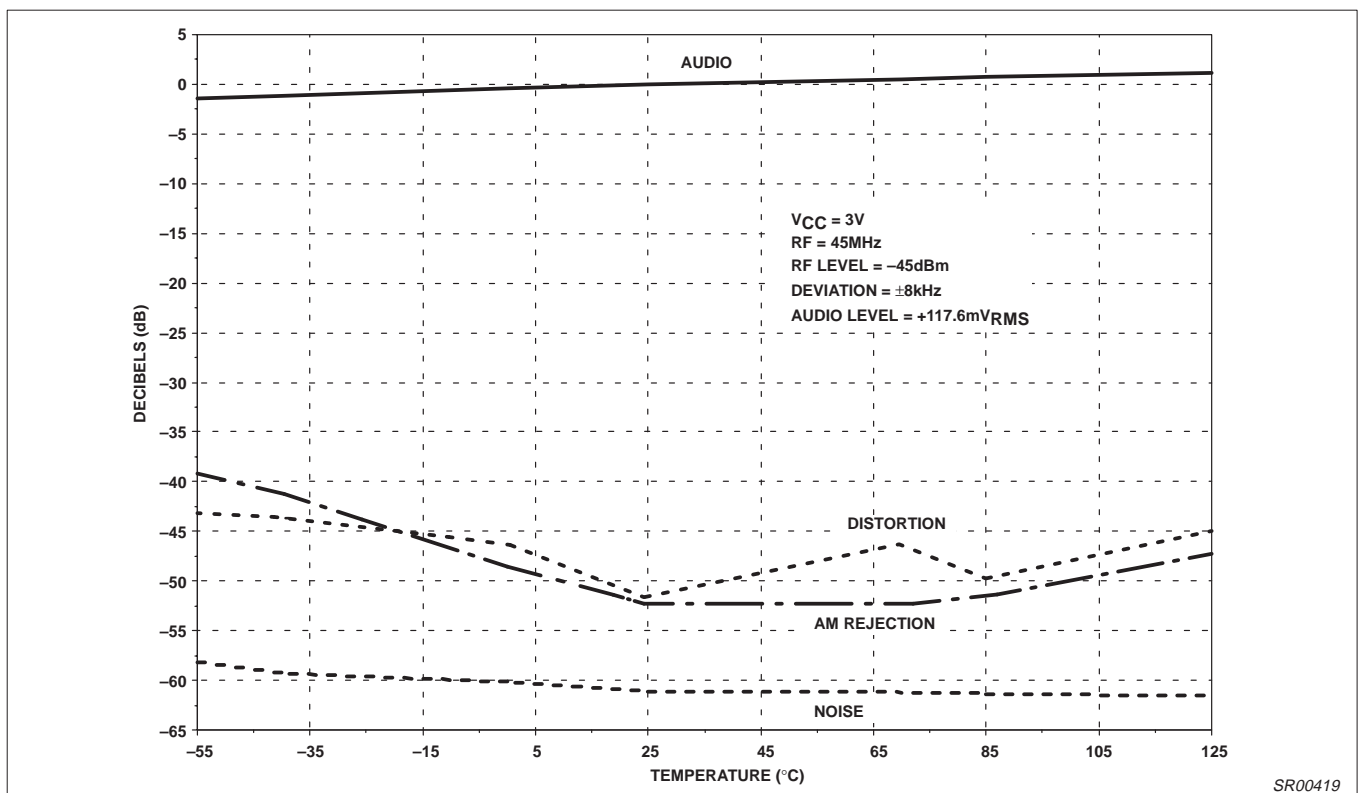


Figure 14. Relative Audio Level, Distortion, AM Rejection and Noise vs Temperature

SR00419

Low-voltage high performance mixer FM IF system

SA617

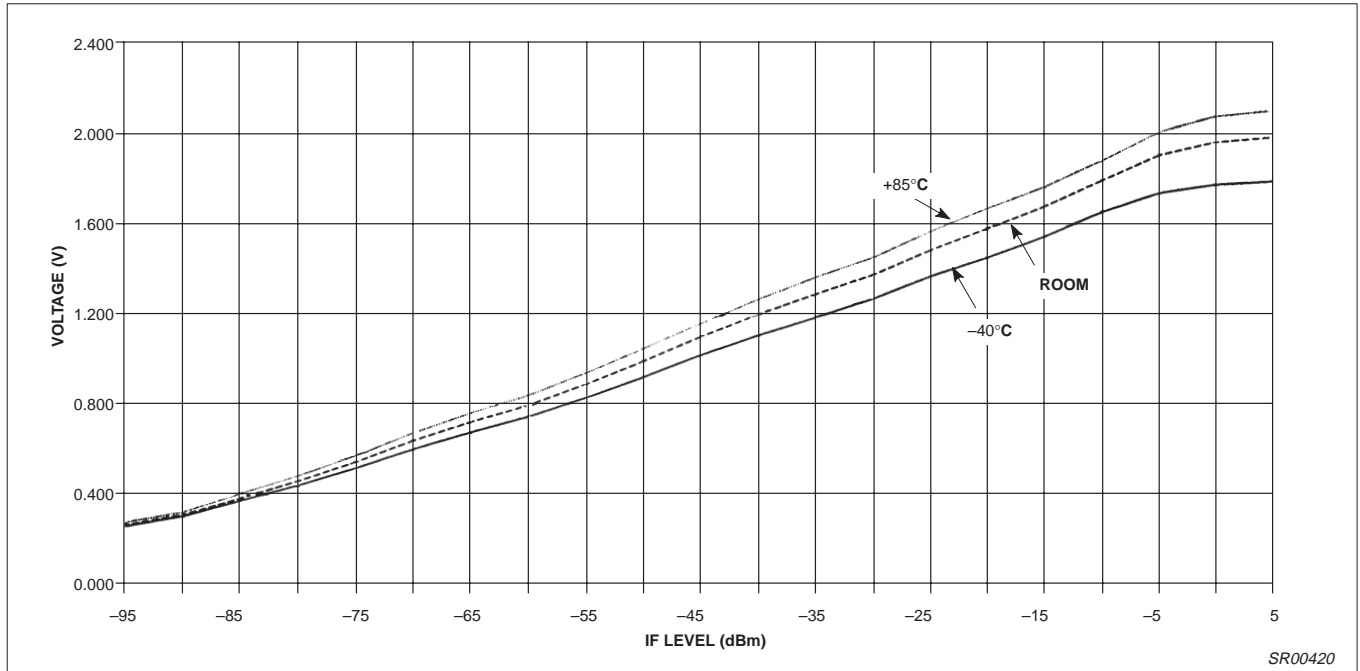


Figure 15. RSSI (455kHz IF @ 3V)

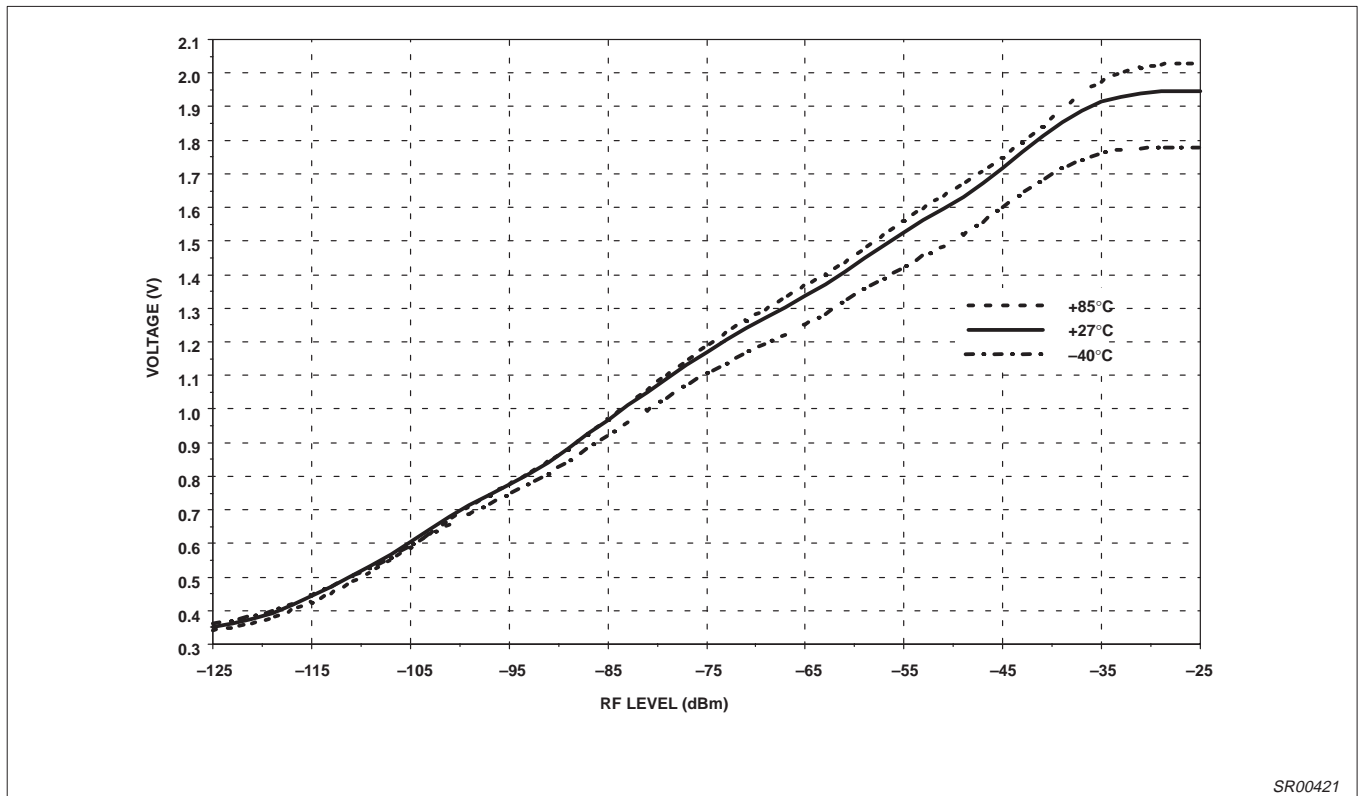


Figure 16. RSSI vs RF Level and Temperature - V_{CC} = 3V

Low-voltage high performance mixer FM IF system

SA617

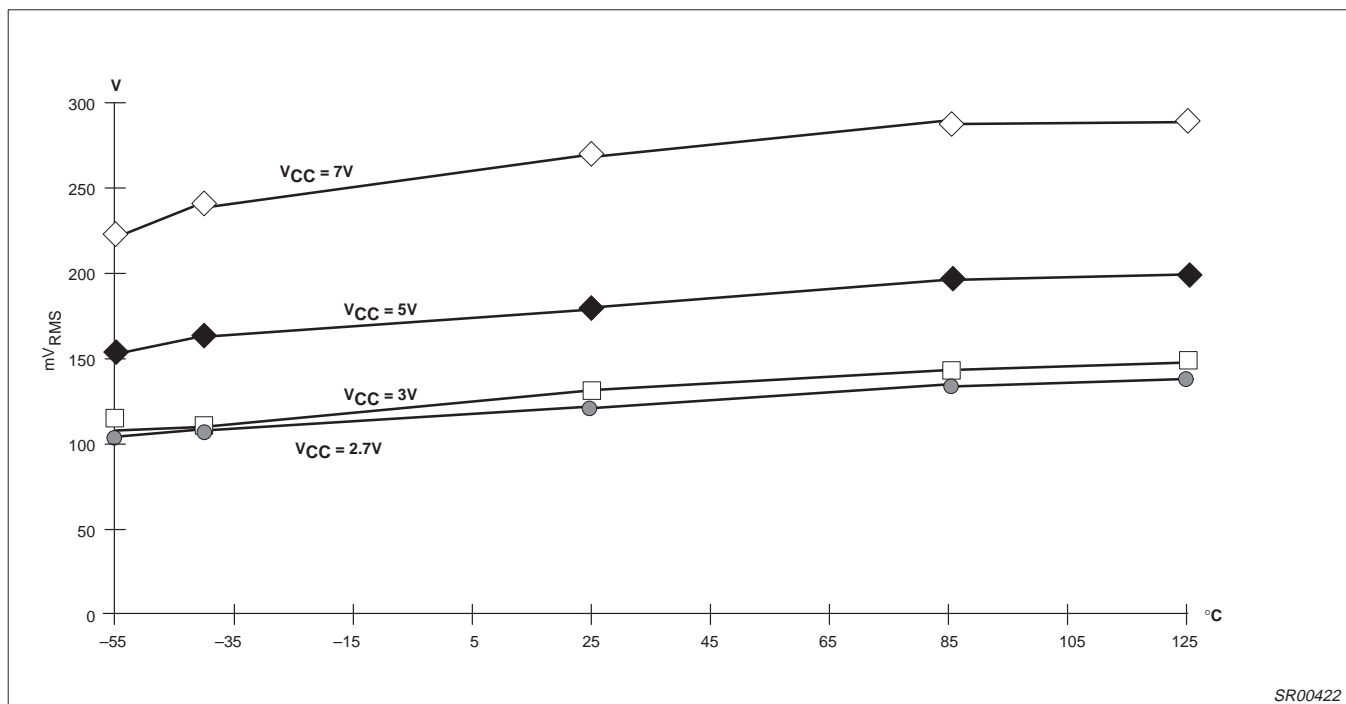


Figure 17. Audio Output vs Temperature

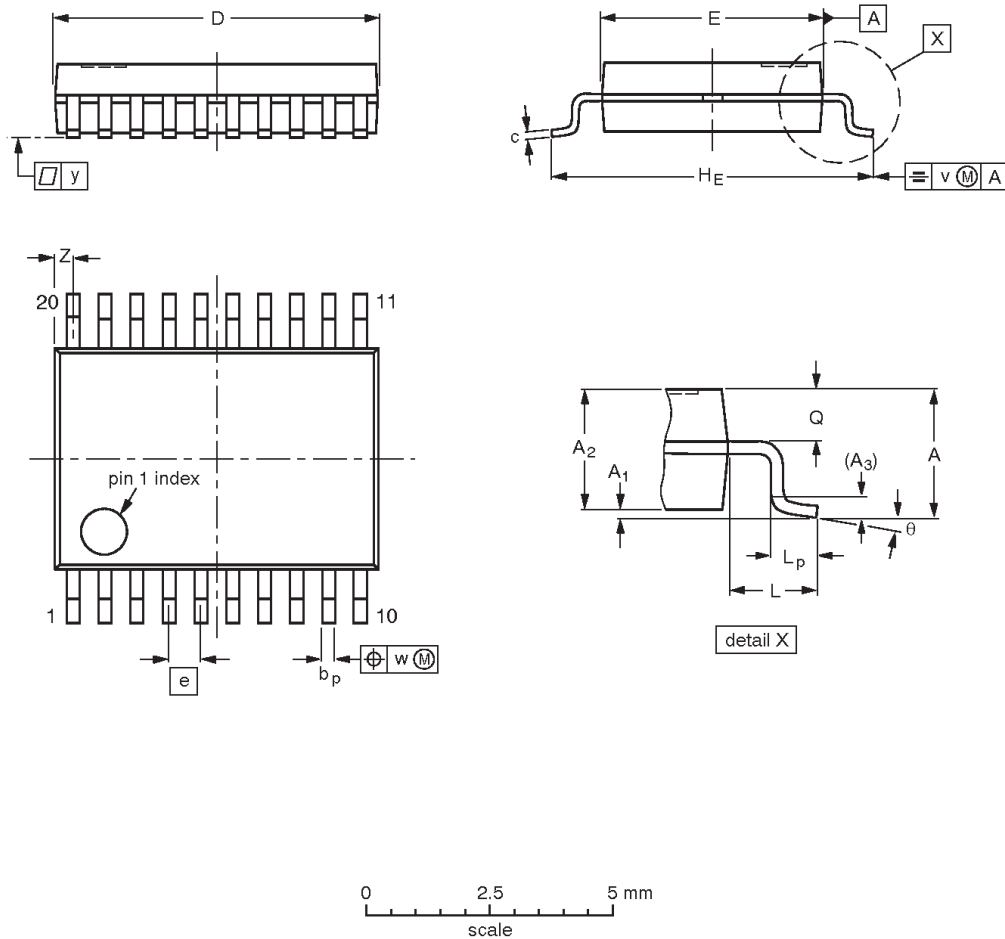
SR00422

Low-voltage high performance mixer FM IF system

SA617

SSOP20: plastic shrink small outline package; 20 leads; body width 4.4 mm

SOT266-1



DIMENSIONS (mm are the original dimensions)

UNIT	A max.	A ₁	A ₂	A ₃	b _p	c	D ⁽¹⁾	E ⁽¹⁾	e	H _E	L	L _p	Q	v	w	y	Z ⁽¹⁾	θ
mm	1.5	0.15 0	1.4 1.2	0.25	0.32 0.20	0.20 0.13	6.6 6.4	4.5 4.3	0.65	6.6 6.2	1.0	0.75 0.45	0.65 0.45	0.2	0.13	0.1	0.48 0.18	10° 0°

Note

1. Plastic or metal protrusions of 0.20 mm maximum per side are not included.

OUTLINE VERSION	REFERENCES				EUROPEAN PROJECTION	ISSUE DATE
	IEC	JEDEC	EIAJ			
SOT266-1						90-04-05 95-02-25

Low-voltage high performance mixer FM IF system

SA617

DEFINITIONS

Data Sheet Identification	Product Status	Definition
<i>Objective Specification</i>	Formative or in Design	This data sheet contains the design target or goal specifications for product development. Specifications may change in any manner without notice.
<i>Preliminary Specification</i>	Preproduction Product	This data sheet contains preliminary data, and supplementary data will be published at a later date. Philips Semiconductors reserves the right to make changes at any time without notice in order to improve design and supply the best possible product.
<i>Product Specification</i>	Full Production	This data sheet contains Final Specifications. Philips Semiconductors reserves the right to make changes at any time without notice, in order to improve design and supply the best possible product.

Philips Semiconductors and Philips Electronics North America Corporation reserve the right to make changes, without notice, in the products, including circuits, standard cells, and/or software, described or contained herein in order to improve design and/or performance. Philips Semiconductors assumes no responsibility or liability for the use of any of these products, conveys no license or title under any patent, copyright, or mask work right to these products, and makes no representations or warranties that these products are free from patent, copyright, or mask work right infringement, unless otherwise specified. Applications that are described herein for any of these products are for illustrative purposes only. Philips Semiconductors makes no representation or warranty that such applications will be suitable for the specified use without further testing or modification.

LIFE SUPPORT APPLICATIONS

Philips Semiconductors and Philips Electronics North America Corporation Products are not designed for use in life support appliances, devices, or systems where malfunction of a Philips Semiconductors and Philips Electronics North America Corporation Product can reasonably be expected to result in a personal injury. Philips Semiconductors and Philips Electronics North America Corporation customers using or selling Philips Semiconductors and Philips Electronics North America Corporation Products for use in such applications do so at their own risk and agree to fully indemnify Philips Semiconductors and Philips Electronics North America Corporation for any damages resulting from such improper use or sale.

Philips Semiconductors
811 East Arques Avenue
P.O. Box 3409
Sunnyvale, California 94088-3409
Telephone 800-234-7381

© Copyright Philips Electronics North America Corporation 1997
 All rights reserved. Printed in U.S.A.

Let's make things better.

Philips
Semiconductors



PHILIPS