

FEATURES

High DC Precision

- 75 μV max Offset Voltage
- 1 $\mu\text{V}/^\circ\text{C}$ max Offset Voltage Drift
- 150 pA max Input Bias Current
- 0.2 pA/ $^\circ\text{C}$ typical I_B Drift

Low Noise

- 0.5 μV p-p typical Noise, 0.1 Hz to 10 Hz

Low Power

- 600 μA max Supply Current per Amplifier
- Chips & MIL-STD-883B Processing Available
- Available in Tape and Reel in Accordance with EIA-481A Standard
- Single Version: AD705, Dual Version: AD706

PRIMARY APPLICATIONS

- Industrial/Process Controls
- Weigh Scales
- ECG/EKG Instrumentation
- Low Frequency Active Filters

PRODUCT DESCRIPTION

The AD704 is a quad, low power bipolar op amp that has the low input bias current of a BiFET amplifier but which offers a significantly lower I_B drift over temperature. It utilizes Super-beta bipolar input transistors to achieve picoampere input bias current levels (similar to FET input amplifiers at room temperature), while its I_B typically only increases by 5 \times at +125 $^\circ\text{C}$ (unlike a BiFET amp, for which I_B doubles every 10 $^\circ\text{C}$ resulting in a 1000 \times increase at +125 $^\circ\text{C}$). Furthermore the AD704 achieves 75 μV offset voltage and low noise characteristics of a precision bipolar input op amp.

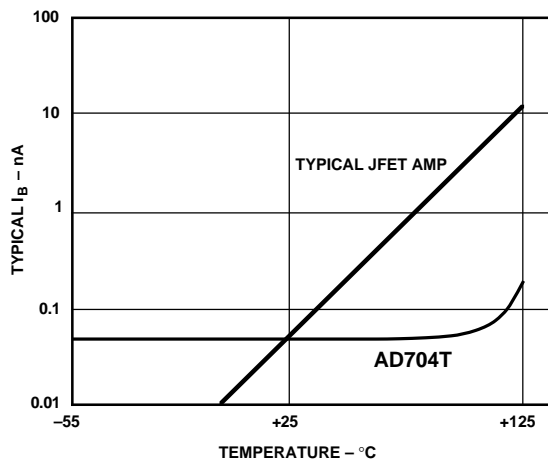
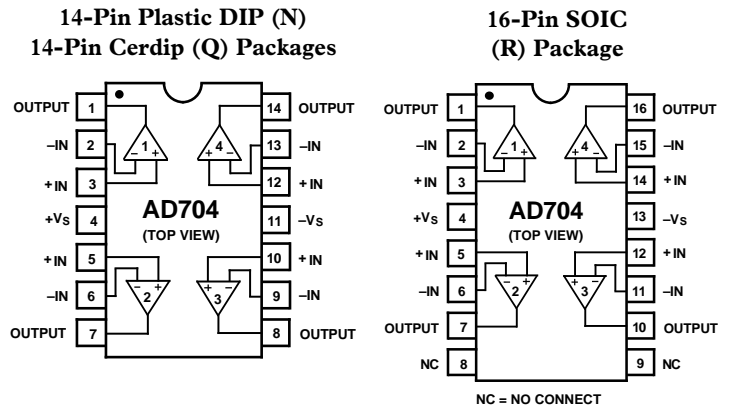


Figure 1. Input Bias Current Over Temperature

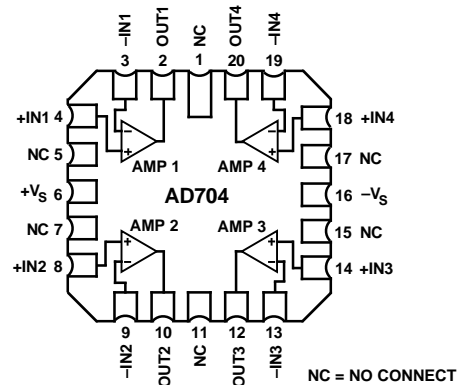
REV. A

Information furnished by Analog Devices is believed to be accurate and reliable. However, no responsibility is assumed by Analog Devices for its use, nor for any infringements of patents or other rights of third parties which may result from its use. No license is granted by implication or otherwise under any patent or patent rights of Analog Devices.

CONNECTION DIAGRAMS



(E) Package 20-Terminal LCC



Since it has only 1/20 the input bias current of an AD OP07, the AD704 does not require the commonly used “balancing” resistor. Furthermore, the current noise is 1/5 that of the AD OP07 which makes the AD704 usable with much higher source impedances. At 1/6 the supply current (per amplifier) of the AD OP07, the AD704 is better suited for today’s higher density circuit boards and battery powered applications.

The AD704 is an excellent choice for use in low frequency active filters in 12- and 14-bit data acquisition systems, in precision instrumentation, and as a high quality integrator. The AD704 is internally compensated for unity gain and is available in five performance grades. The AD704J and AD704K are rated over the commercial temperature range of 0 $^\circ\text{C}$ to +70 $^\circ\text{C}$. The AD704A and AD704B are rated over the industrial temperature of -40 $^\circ\text{C}$ to +85 $^\circ\text{C}$. The AD704T is rated over the military temperature range of -55 $^\circ\text{C}$ to +125 $^\circ\text{C}$ and is available processed to MIL-STD-883B, Rev. C.

AD704—SPECIFICATIONS (@ T_A = +25°C, V_{CM} = 0 V, and ±15 V dc, unless otherwise noted)

Model	Conditions	AD704J/A			AD704K/B			AD704T			Units
		Min	Typ	Max	Min	Typ	Max	Min	Typ	Max	
INPUT OFFSET VOLTAGE											
Initial Offset			50	150	30	75	30	100			μV
Offset	T _{MIN} -T _{MAX}		100	250	50	150	80	150			μV
vs. Temp, Average TC			0.2	1.5	0.2	1.0		1.0			μV/°C
vs. Supply (PSRR)	V _S = ±2 to ±18 V	100	132		112	132	112	132			dB
T _{MIN} -T _{MAX}	V _S = ±2.5 to ±18 V	100	126		108	126	108	126			dB
Long Term Stability			0.3		0.3		0.3				μV/month
INPUT BIAS CURRENT¹											
	V _{CM} = 0 V		100	270	80	150	80	200			pA
	V _{CM} = ±13.5 V			300		200		250			pA
vs. Temp, Average TC			0.3		0.2		1.0				pA/°C
T _{MIN} -T _{MAX}	V _{CM} = 0 V			300		200		600			pA
T _{MIN} -T _{MAX}	V _{CM} = ±13.5 V			400		300		700			pA
INPUT OFFSET CURRENT											
	V _{CM} = 0 V		80	250	30	100	50	150			pA
	V _{CM} = ±13.5 V			300		150		200			pA
vs. Temp, Average TC			0.6		0.4		0.4				pA/°C
T _{MIN} -T _{MAX}	V _{CM} = 0 V		100	300	80	200	80	400			pA
T _{MIN} -T _{MAX}	V _{CM} = ±13.5 V		100	400	80	300	100	500			pA
MATCHING CHARACTERISTICS											
Offset Voltage				250		130		150			μV
	T _{MIN} -T _{MAX}			400		200		250			μV
Input Bias Current ²				500		300		400			pA
	T _{MIN} -T _{MAX}			600		400		600			pA
Common-Mode Rejection ³		94			110		104				dB
	T _{MIN} -T _{MAX}	94			104		104				dB
Power Supply Rejection ⁴		94			110		110				dB
	T _{MIN} -T _{MAX}	94			106		106				dB
Crosstalk ⁵	T _{MIN} -T _{MAX} f = 10 Hz R _{LOAD} = 2 kΩ		150		150		150				dB
FREQUENCY RESPONSE											
UNITY GAIN											
Crossover Frequency			0.8		0.8		0.8				MHz
Slew Rate, Unity Gain	G = -1		0.15		0.15		0.15				V/μs
Slew Rate	T _{MIN} -T _{MAX}		0.1		0.1		0.1				V/μs
INPUT IMPEDANCE											
Differential			40 2		40 2		40 2				MΩ pF
Common-Mode			300 2		300 2		300 2				GΩ pF
INPUT VOLTAGE RANGE											
Common-Mode Voltage			±13.5	±14	±13.5	±14	±13.5	±14			V
Common-Mode Rejection Ratio	V _{CM} = ±13.5 V	100	132		114	132	110	132			dB
	T _{MIN} -T _{MAX}	98	128		108	128	108	128			dB
INPUT CURRENT NOISE											
	0.1 to 10 Hz		3		3		3				pA p-p
	f = 10 Hz		50		50		50				fA/√Hz
INPUT VOLTAGE NOISE											
	0.1 to 10 Hz		0.5		0.5	2.0	0.5	2.0			μV p-p
	f = 10 Hz		17		17		17				nV/√Hz
	f = 1 kHz		15	22	15	22	15	22			nV/√Hz
OPEN-LOOP GAIN											
	V _O = ±12 V		200	2000	400	2000	400	2000			V/mV
	R _{LOAD} = 10 kΩ		150	1500	300	1500	300	1500			V/mV
	T _{MIN} -T _{MAX}										
	V _O = ±10 V		200	1000	300	1000	200	1000			V/mV
	R _{LOAD} = 2 kΩ		150	1000	200	1000	100	1000			V/mV
	T _{MIN} -T _{MAX}										

Model	Conditions	AD704J/A			AD704K/B			AD704T			Units
		Min	Typ	Max	Min	Typ	Max	Min	Typ	Max	
OUTPUT CHARACTERISTICS											
Voltage Swing	$R_{LOAD} = 10\text{ k}\Omega$ $T_{MIN}-T_{MAX}$ Short Circuit	± 13	± 14		± 13	± 14		± 13	± 14		V
Current				± 15		± 15		± 15	± 15		mA
CAPACITIVE LOAD											
Drive Capability	Gain = + 1		10,000		10,000		10,000		10,000		pF
POWER SUPPLY											
Rated Performance			± 15		± 15		± 15		± 15		V
Operating Range		± 2.0		± 18	± 2.0		± 18	± 2.0		± 18	V
Quiescent Current	$T_{MIN}-T_{MAX}$		1.5	2.4		1.5	2.4		1.5	2.4	mA
			1.6	2.6		1.6	2.6		1.6	2.6	mA
TRANSISTOR COUNT											
# of Transistors			180		180		180		180		

NOTES

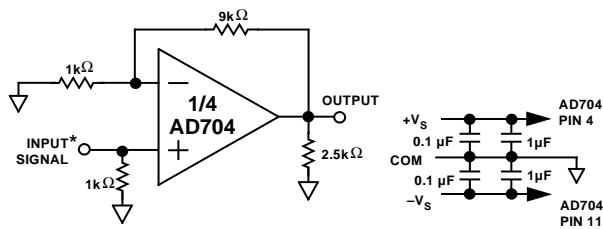
- ¹Bias current specifications are guaranteed maximum at either input.
 - ²Input bias current match is the maximum difference between corresponding inputs of all four amplifiers.
 - ³CMRR match is the difference of $\Delta V_{OS}/\Delta V_{CM}$ between any two amplifiers, expressed in dB.
 - ⁴PSRR match is the difference between $\Delta V_{OS}/\Delta V_{SUPPLY}$ for any two amplifiers, expressed in dB.
 - ⁵See Figure 2a for test circuit.
- All min and max specifications are guaranteed.
Specifications subject to change without notice.

ABSOLUTE MAXIMUM RATINGS¹

- Supply Voltage $\pm 18\text{ V}$
- Internal Power Dissipation (+25°C) See Note 2
- Input Voltage $\pm V_S$
- Differential Input Voltage³ $\pm 0.7\text{ V}$
- Output Short Circuit Duration (Single Input) Indefinite
- Storage Temperature Range (Q) -65°C to $+150^\circ\text{C}$
- (N, R) -65°C to $+125^\circ\text{C}$
- Operating Temperature Range AD704J/K 0°C to $+70^\circ\text{C}$
- AD704A/B -40°C to $+85^\circ\text{C}$
- AD704T -55°C to $+125^\circ\text{C}$
- Lead Temperature Range (Soldering 10 seconds) $+300^\circ\text{C}$

NOTES

- ¹Stresses above those listed under "Absolute Maximum Ratings" may cause permanent damage to the device. This is a stress rating only and functional operation of the device at these or any other conditions above those indicated in the operational section of this specification is not implied. Exposure to absolute maximum rating conditions for extended periods may affect device reliability.
- ²Specification is for device in free air:
14-Pin Plastic Package: $\theta_{JA} = 150^\circ\text{C}/\text{Watt}$
14-Pin Cerdip Package: $\theta_{JA} = 110^\circ\text{C}/\text{Watt}$
16-Pin SOIC Package: $\theta_{JA} = 100^\circ\text{C}/\text{Watt}$
20-Terminal LCC Package: $\theta_{JA} = 150^\circ\text{C}/\text{Watt}$
- ³The input pins of this amplifier are protected by back-to-back diodes. If the differential voltage exceeds ± 0.7 volts, external series protection resistors should be added to limit the input current to less than 25 mA.



ALL 4 AMPLIFIERS ARE CONNECTED AS SHOWN
*THE SIGNAL INPUT (SUCH THAT THE AMPLIFIER'S OUTPUT IS AT MAX AMPLITUDE WITHOUT CLIPPING OR SLEW LIMITING) IS APPLIED TO ONE AMPLIFIER AT A TIME. THE OUTPUTS OF THE OTHER THREE AMPLIFIERS ARE THEN MEASURED FOR CROSSTALK.

Figure 2a. Crosstalk Test Circuit

METALIZATION PHOTOGRAPH

Dimensions shown in inches and (mm).
Contact factory for latest dimensions.

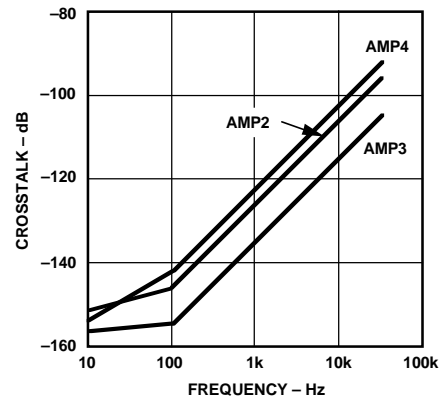
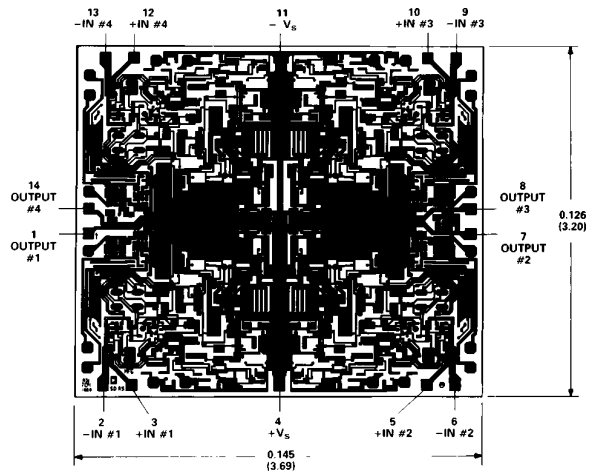


Figure 2b. Crosstalk vs. Frequency

AD704—Typical Characteristics (@ +25°C, $V_S = \pm 15\text{ V}$, unless otherwise noted)

ORDERING GUIDE

Model	Temperature Range	Package Option*
AD704JN	0°C to +70°C	N-14
AD704JR	0°C to +70°C	R-16
AD704JR-/REEL	0°C to +70°C	Tape and Reel
AD704KN	0°C to +70°C	N-14
AD704AN	-40°C to +85°C	N-14
AD704AQ	-40°C to +85°C	Q-14
AD704AR	-40°C to +85°C	R-16
AD704AR-/REEL	-40°C to +85°C	Tape and Reel
AD704BQ	-40°C to +85°C	Q-14
AD704SE/883B	-55°C to +125°C	E-20A
AD704TQ	-55°C to +125°C	Q-14
AD704TQ/883B	-55°C to +125°C	Q-14

Chips are also available.

*E = Leadless Ceramic Chip Carrier; N = Plastic DIP; Q = Cerdip;
R = Small Outline (SOIC).

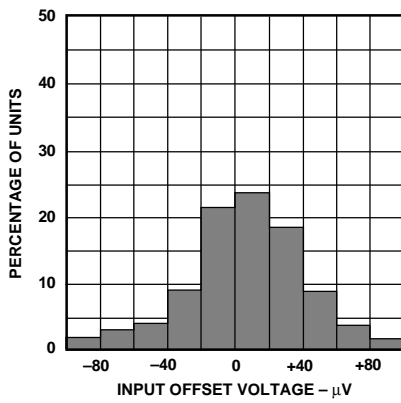


Figure 3. Typical Distribution of Input Offset Voltage

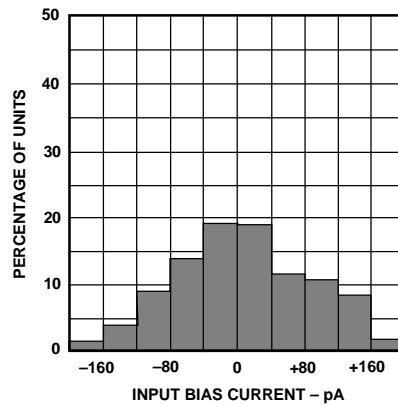


Figure 4. Typical Distribution of Input Bias Current

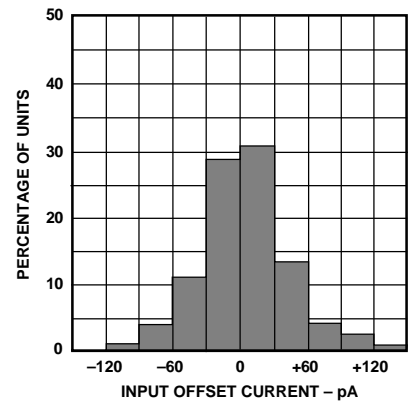


Figure 5. Typical Distribution of Input Offset Current

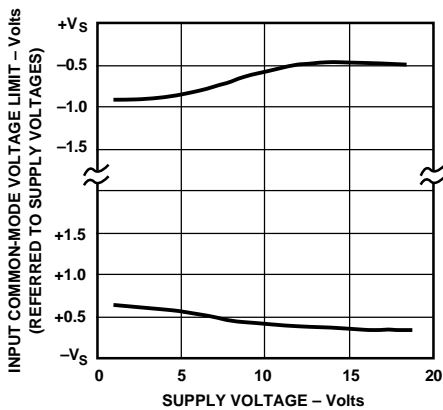


Figure 6. Input Common-Mode Voltage Range vs. Supply Voltage

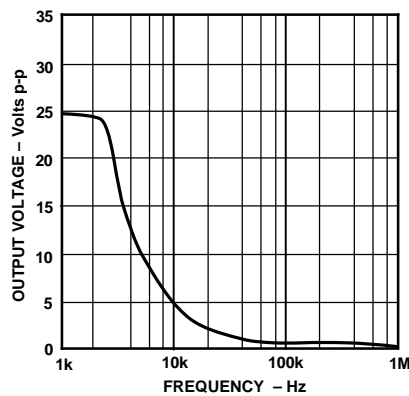


Figure 7. Large Signal Frequency Response

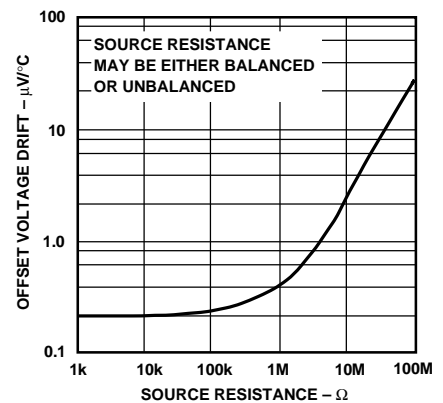


Figure 8. Offset Voltage Drift vs. Source Resistance

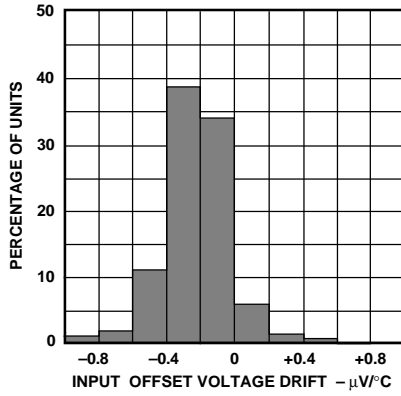


Figure 9. Typical Distribution of Offset Voltage Drift

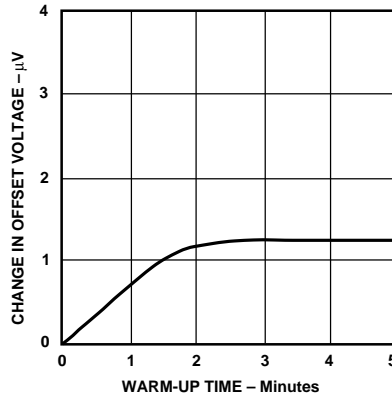


Figure 10. Change in Input Offset Voltage vs. Warm-Up Time

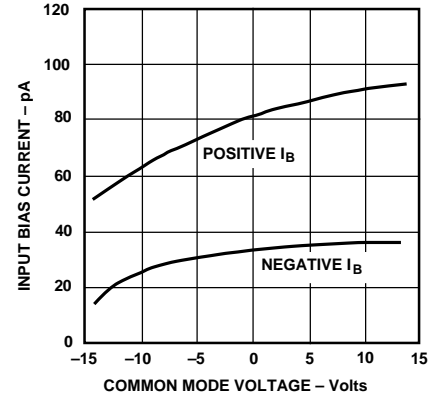


Figure 11. Input Bias Current vs. Common-Mode Voltage

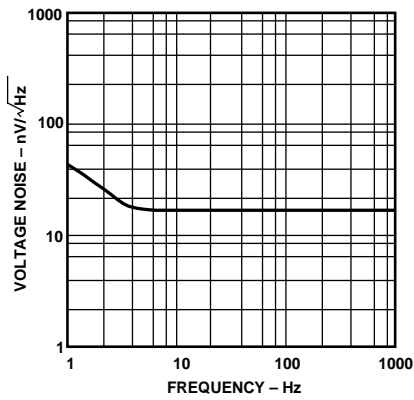


Figure 12. Input Noise Voltage Spectral Density

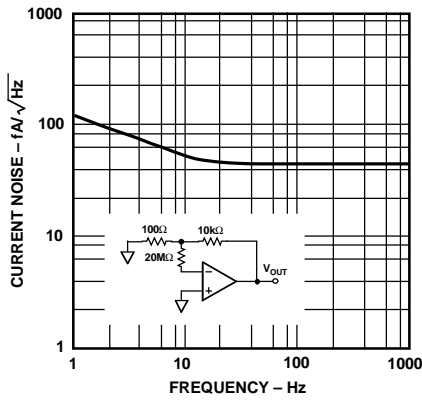


Figure 13. Input Noise Current Spectral Density

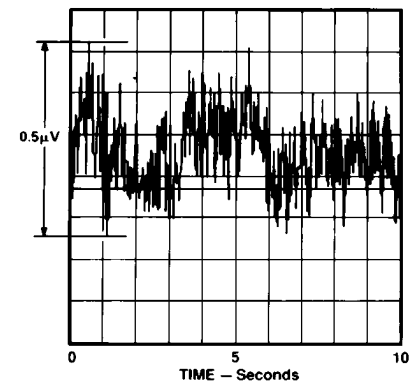


Figure 14. 0.1 Hz to 10 Hz Noise Voltage

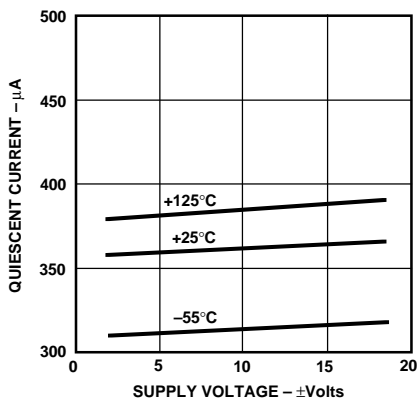


Figure 15. Quiescent Supply Current vs. Supply Voltage (per Amplifier)

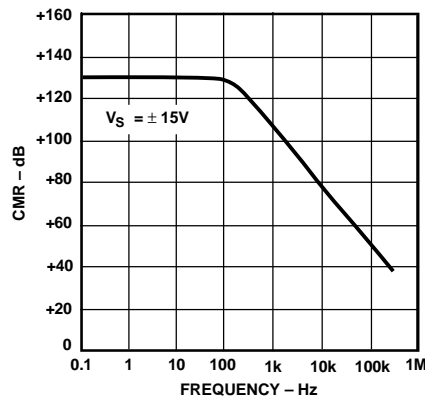


Figure 16. Common-Mode Rejection vs. Frequency

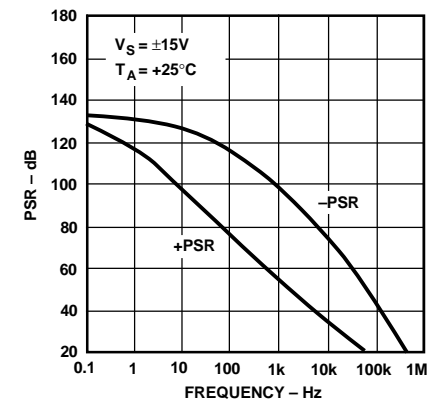


Figure 17. Power Supply Rejection vs. Frequency

AD704

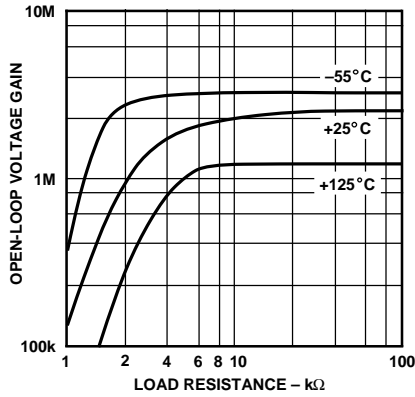


Figure 18. Open-Loop Gain vs. Load Resistance Over Temperature

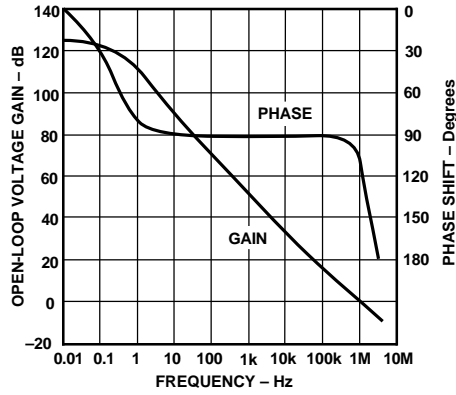


Figure 19. Open-Loop Gain and Phase vs. Frequency

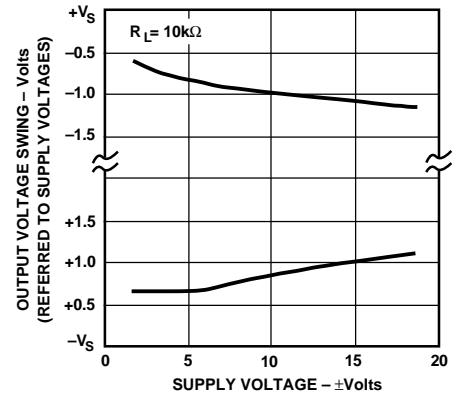


Figure 20. Output Voltage Swing vs. Supply Voltage

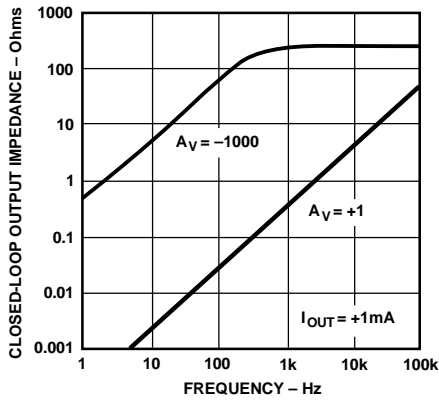


Figure 21. Closed-Loop Output Impedance vs. Frequency

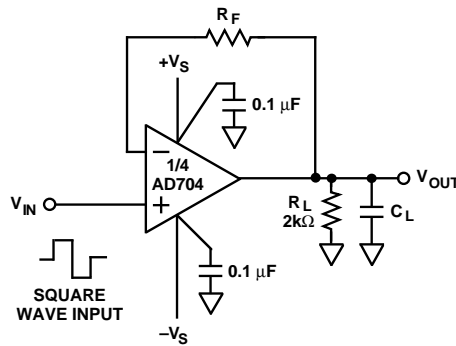


Figure 22a. Unity Gain Follower (For Large Signal Applications, Resistor R_F Limits the Current Through the Input Protection Diodes)

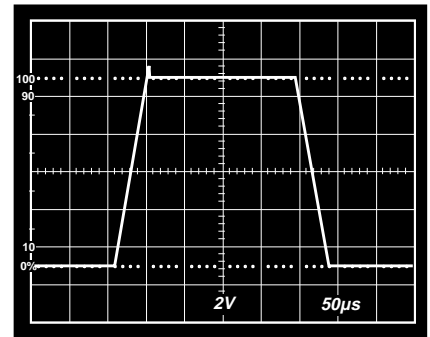


Figure 22b. Unity Gain Follower Large Signal Pulse Response $R_F = 10 \text{ k}\Omega$, $C_L = 1,000 \text{ pF}$

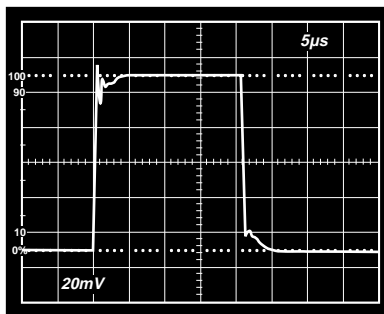


Figure 22c. Unity Gain Follower Small Signal Pulse Response $R_F = 0 \Omega$, $C_L = 100 \text{ pF}$

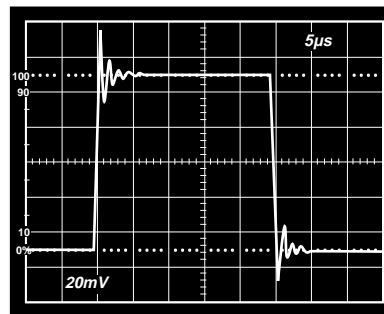


Figure 22d. Unity Gain Follower Small Signal Pulse Response $R_F = 0 \Omega$, $C_L = 1,000 \text{ pF}$

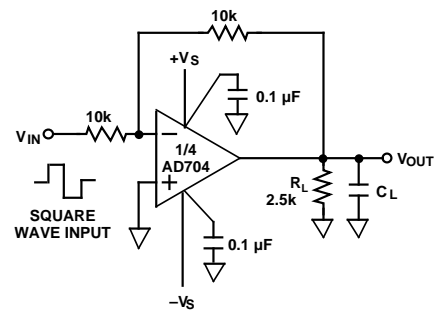


Figure 23a. Unity Gain Inverter Connection

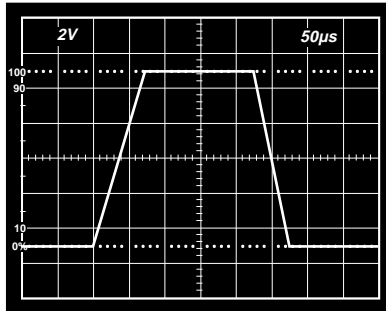


Figure 23b. Unity Gain Inverter Large Signal Pulse Response, $C_L = 1,000 \text{ pF}$

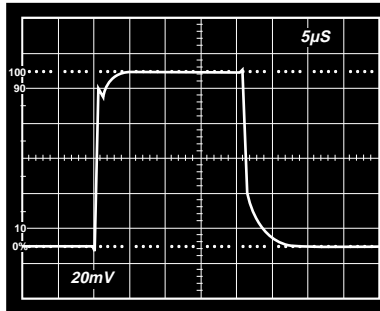


Figure 23c. Unity Gain Inverter Small Signal Pulse Response, $C_L = 100 \text{ pF}$

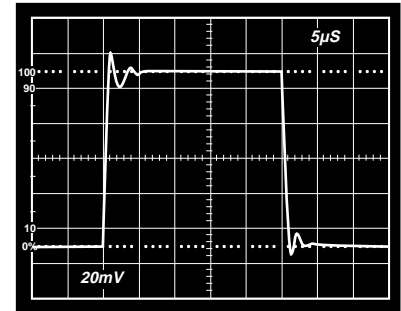


Figure 23d. Unity Gain Inverter Small Signal Pulse Response, $C_L = 1,000 \text{ pF}$

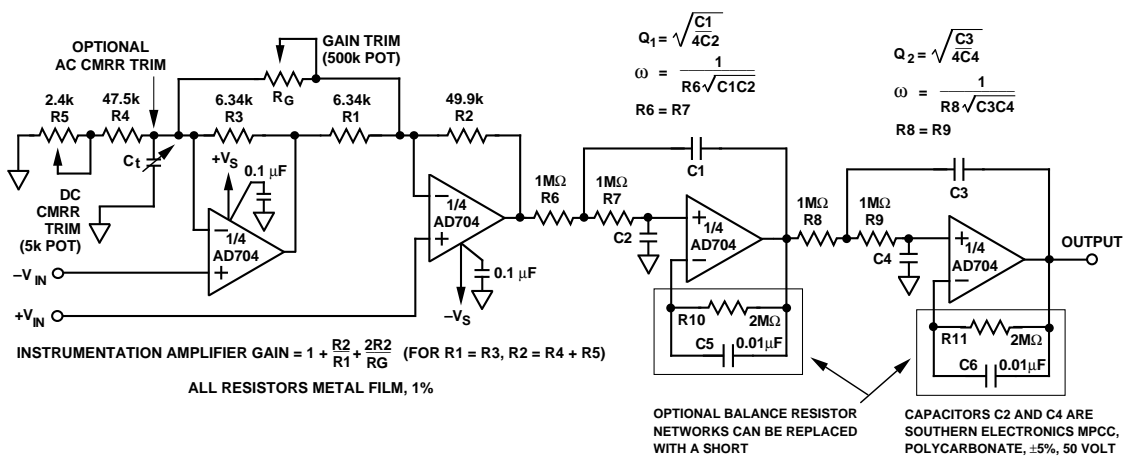


Figure 24. Gain of 10 Instrumentation Amplifier with Post Filtering

The instrumentation amplifier with post filtering (Figure 24) combines two applications which benefit greatly from the AD704. This circuit achieves low power and dc precision over temperature with a minimum of components.

The instrumentation amplifier circuit offers many performance benefits including BiFET level input bias currents, low input offset voltage drift and only 1.2 mA quiescent current. It will operate for gains $G \geq 2$, and at lower gains it will benefit from the fact that there is no output amplifier offset and noise contribution as encountered in a 3 op amp design. Good low frequency CMRR is achieved even without the optional AC CMRR trim (Figure 25). Table I provides resistance values for 3 common circuit gains. For other gains, use the following equations:

$$R_2 = R_4 + R_5 = 49.9 \text{ k}\Omega$$

$$R_1 = R_3 = \frac{49.9 \text{ k}\Omega}{0.9 G - 1}$$

$$\text{Max Value of } R_G = \frac{99.8 \text{ k}}{0.06 G}$$

$$C_t \approx \frac{1}{2 \pi (R_3) 5 \times 10^5}$$

Table I. Resistance Values for Various Gains

Circuit Gain (G)	R1 & R3	R _G (Max Value of Trim Potentiometer)	Bandwidth (-3 dB), Hz
10	6.34 kΩ	166 kΩ	50k
100	526 Ω	16.6 kΩ	5k
1,000	56.2 Ω	1.66 kΩ	0.5k

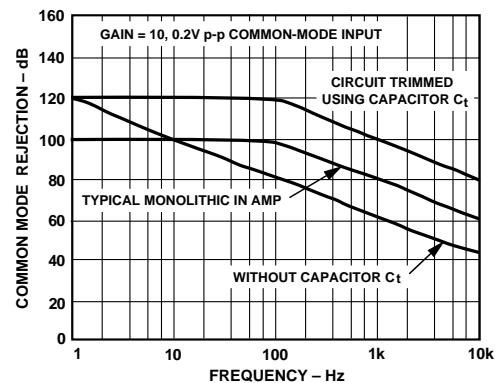


Figure 25. Common-Mode Rejection vs. Frequency with and without Capacitor C_t

AD704

The 1 Hz, 4-pole active filter offers dc precision with a minimum of components and cost. The low current noise, I_{OS} , and I_B allow the use of 1 M Ω resistors without sacrificing the 1 $\mu V/^\circ C$ drift of the AD704. This means lower capacitor values may be used, reducing cost and space. Furthermore, since the AD704's I_B is as low as its I_{OS} , over most of the MIL temperature range, most applications do not require the use of the normal balancing resistor (with its stability capacitor). Adding the optional balancing resistor enhances performance at high temperatures, as shown in Figure 26. Table II gives capacitor values for several common low pass responses.

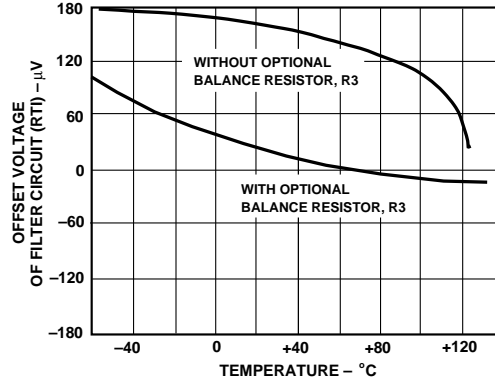


Figure 26. V_{OS} vs. Temperature Performance of the 1 Hz Filter Circuit

Table II. 1 Hz, 4-Pole Low-Pass Filter Recommended Component Values

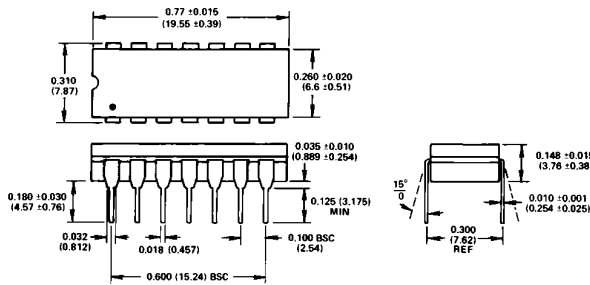
Desired Low Pass Response	Section 1 Frequency (Hz)	Q	Section 2 Frequency (Hz)	Q	C1 (μF)	C2 (μF)	C3 (μF)	C4 (μF)
Bessel	1.43	0.522	1.60	0.806	0.116	0.107	0.160	0.0616
Butterworth	1.00	0.541	1.00	1.31	0.172	0.147	0.416	0.0609
0.1 dB Chebychev	0.648	0.619	0.948	2.18	0.304	0.198	0.733	0.0385
0.2 dB Chebychev	0.603	0.646	0.941	2.44	0.341	0.204	0.823	0.0347
0.5 dB Chebychev	0.540	0.705	0.932	2.94	0.416	0.209	1.00	0.0290
1.0 dB Chebychev	0.492	0.785	0.925	3.56	0.508	0.206	1.23	0.0242

Specified Values are for a -3 dB point of 1.0 Hz. For other frequencies simply scale capacitors C1 through C4 directly; i.e., for 3 Hz Bessel response, C1 = 0.0387 μF , C2 = 0.0357 μF , C3 = 0.0533 μF , C4 = 0.0205 μF .

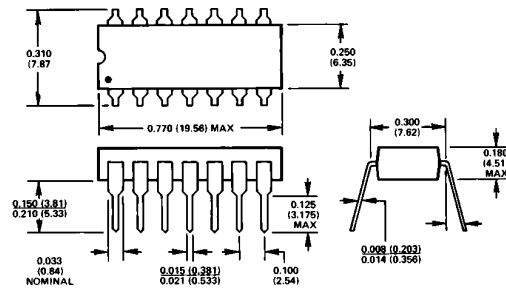
OUTLINE DIMENSIONS

Dimensions shown in inches and (mm).

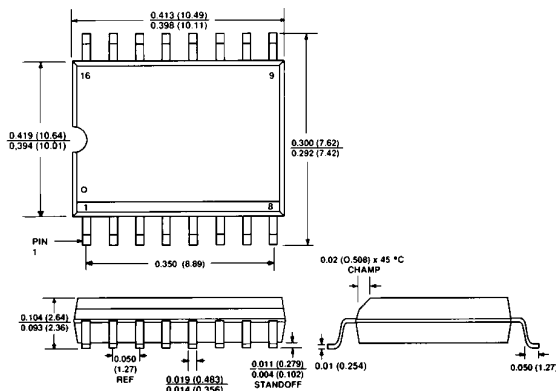
14-Pin Cerdip (Q) Package



14-Pin Plastic DIP (N) Package



16-Pin Plastic SO (R) Package



20-Terminal LCCC (E) Package

