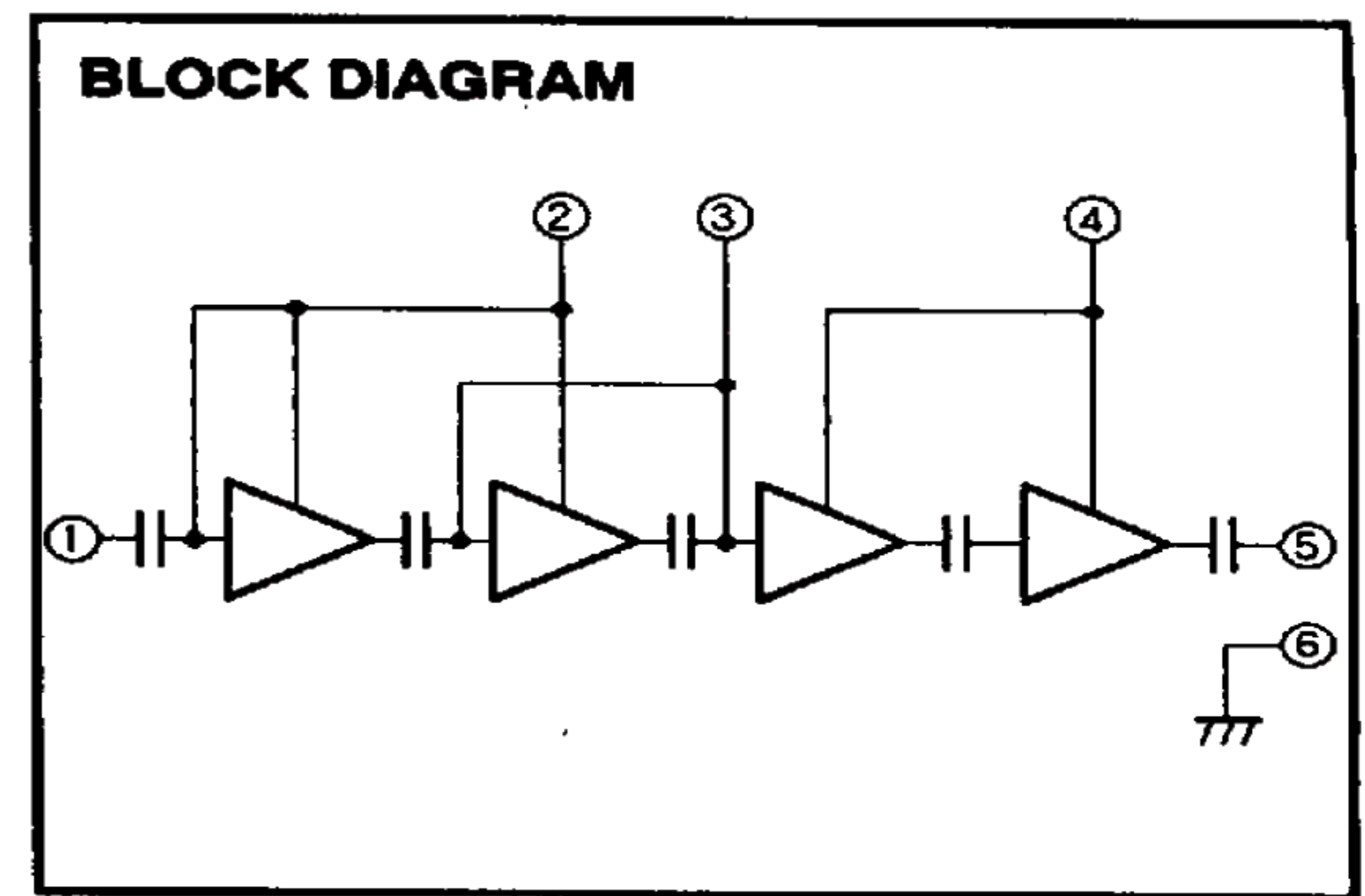
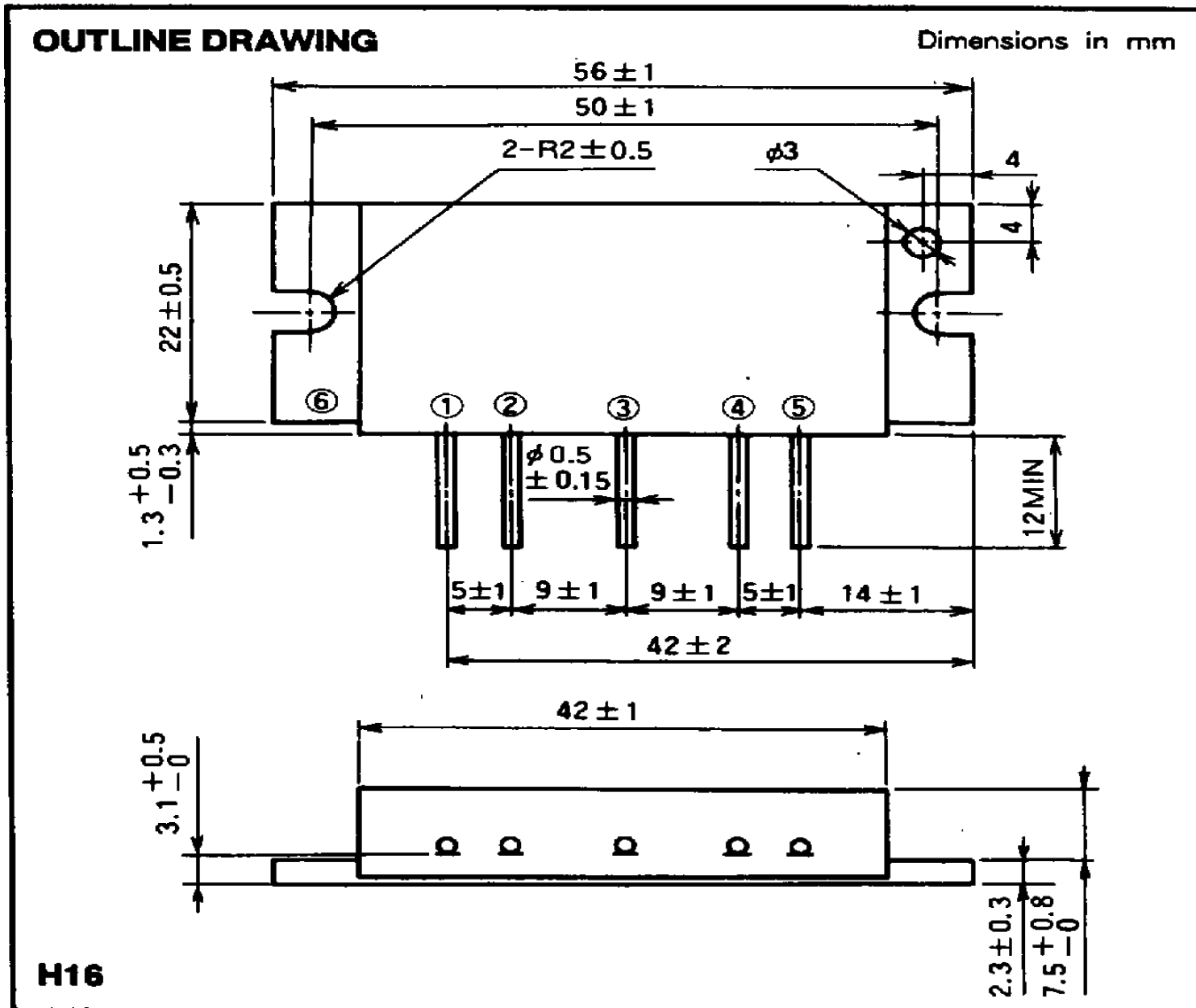


M67709

430-470MHz, 12.5V, 13W, FM MOBILE RADIO



- PIN :
- ① Pin : RF INPUT
 - ② Vcc1 : 1st. DC SUPPLY
 - ③ Vbb : BASE BIAS SUPPLY
 - ④ Vcc2 : 2nd. DC SUPPLY
 - ⑤ Po : RF OUTPUT
 - ⑥ GND : FIN

ABSOLUTE MAXIMUM RATINGS (Tc = 25 °C unless otherwise noted)

| Symbol | Parameter | Conditions | Ratings | Unit |
|----------|----------------------------|----------------|-------------|------|
| Vcc | Supply voltage | Vbb ≤ 5V | 16 | V |
| Vbb | Base bias | Vcc ≤ 12.5V | 6 | V |
| Icc | Total current | | 5 | A |
| Pin(max) | Input power | ZG = ZL = 50 Ω | 20 | mW |
| PO(max) | Output power | ZG = ZL = 50 Ω | 20 | W |
| Tc(OP) | Operation case temperature | | - 30 to 110 | °C |
| Tstg | Storage temperature | | - 40 to 110 | °C |

Note. Above parameters are guaranteed independently.

ELECTRICAL CHARACTERISTICS (Tc = 25 °C unless otherwise noted)

| Symbol | Parameter | Test conditions | Limits | | Unit |
|--------|---------------------|--|---------------------------|------|------|
| | | | Min | Max | |
| f | Frequency range | Pin = 10mW Vcc1, 2 = 12.5V Vbb = 5V ZG = ZL = 50 Ω | 430 | 470 | MHz |
| Po | Output power | | 13 | | W |
| ηT | Total efficiency | | 35 | | % |
| 2fo | 2nd. harmonic | | | - 30 | dBc |
| 3fo | 3rd. harmonic | | | - 35 | dBc |
| ρin | Input VSWR | | | 2.8 | - |
| - | Load VSWR tolerance | Vcc1 = 12.5V, Vcc2 = 15.2V, Vbb = 5V Po = 13W (Pin : controlled) Load VSWR = 20:1 (All phase), 2sec. ZG = 50Ω | No degradation or destroy | | - |

Note. Above parameters, ratings, limits and conditions are subject to change.