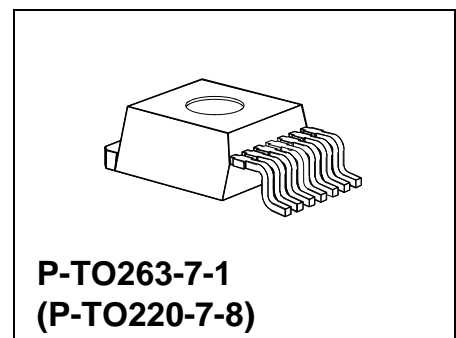
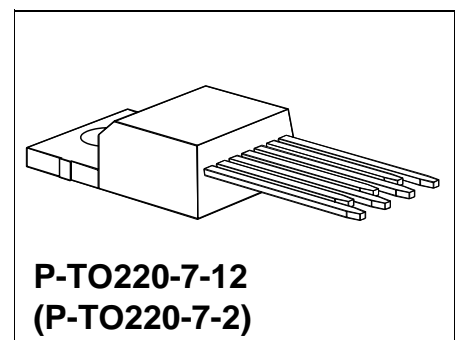
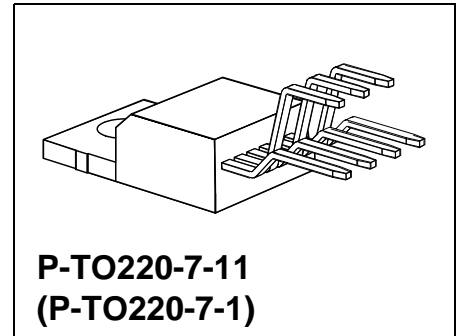


Features

- Output voltage tolerance $\leq \pm 2\%$
- Low-drop voltage
- Integrated overtemperature protection
- Reverse polarity protection
- Input voltage up to 42 V
- Overvoltage protection up to 65 V (≤ 400 ms)
- Short-circuit proof
- Suitable for use in automotive electronics
- Wide temperature range
- Adjustable reset and watchdog time

Type	Ordering Code	Package
TLE 4271	Q67000-A9210-A901	P-TO220-7-11
TLE 4271 S	Q67000-A9244-A901	P-TO220-7-12
TLE 4271 G	Q67006-A9195-A901	P-TO263-7-1
▼ TLE 4271	Q67000-A9210-C801	P-TO220-7-1
▼ TLE 4271 S	Q67000-A9244-A801	P-TO220-7-2
▼ TLE 4271 G	Q67006-A9195-A801	P-TO220-7-8

▼ Not for new design



Functional Description

This device is a 5-V low-drop fixed-voltage regulator. The maximum input voltage is 42 V (65 V, ≤ 400 ms). Up to an input voltage of 26 V and for an output current up to 550 mA it regulates the output voltage within a 2 % accuracy. The short circuit protection limits the output current of more than 650 mA. The IC can be switched off via the inhibit input. An integrated watchdog monitors the connected controller. The device incorporates overvoltage protection and temperature protection that disables the circuit at unpermissibly high temperatures.

Pin Configuration

(top view)

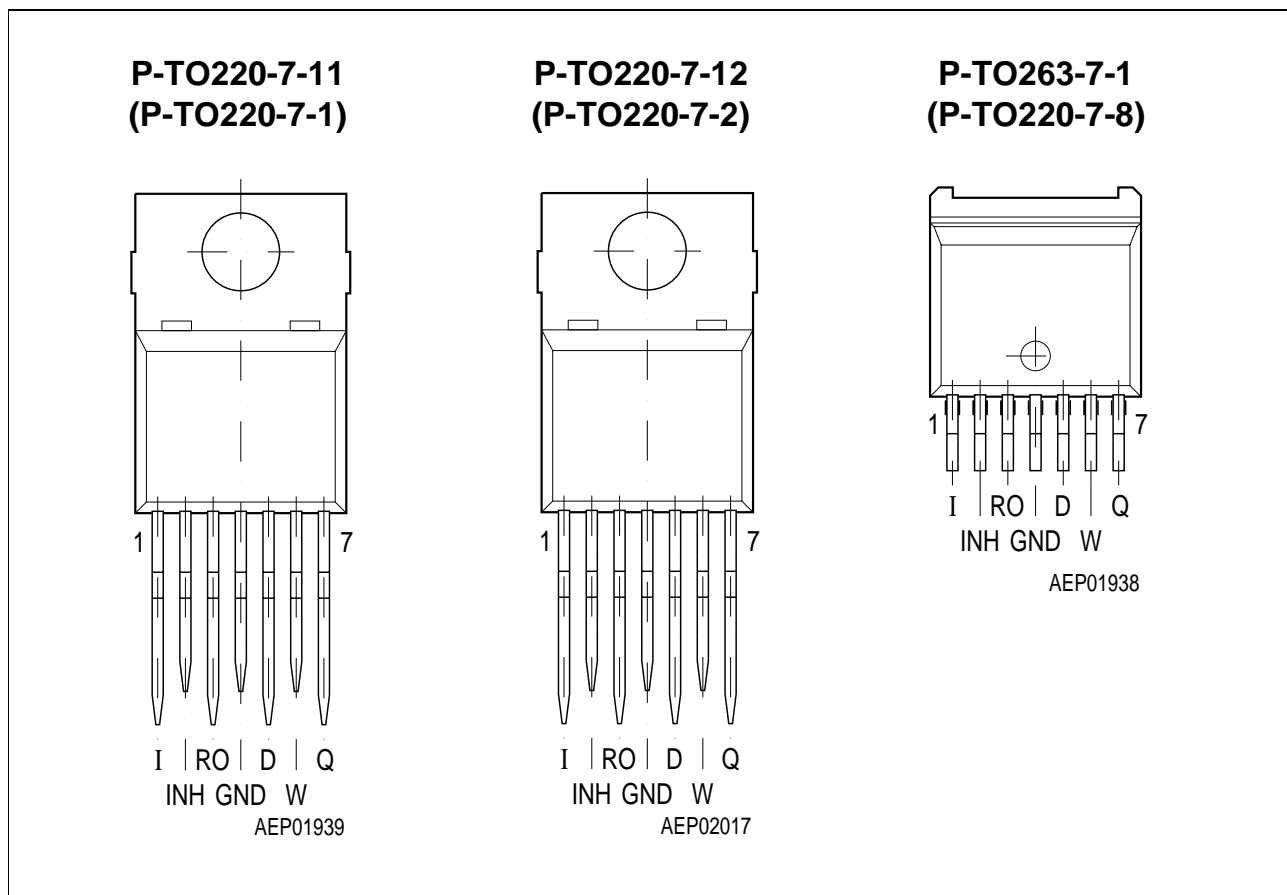


Figure 1

Pin Definitions and Functions

Pin	Symbol	Function
1	I	Input ; block to ground directly on the IC with ceramic capacitor.
2	INH	Inhibit
3	RO	Reset Output ; the open collector output is connected to the 5 V output via an integrated resistor of 30 kΩ.
4	GND	Ground
5	D	Reset Delay ; connect a capacitor to ground for delay time adjustment.
6	W	Watchdog Input
7	Q	5-V Output ; block to ground with 22 μF capacitor, ESR < 3 Ω.

Application Description

The IC regulates an input voltage in the range of $5.5\text{ V} < V_I < 36\text{ V}$ to $V_{Qnom} = 5.0\text{ V}$. Up to 26 V it produces a regulated output current of more than 550 mA . Above 26 V the save-operating-area protection allows operation up to 36 V with a regulated output current of more than 300 mA . Overvoltage protection limits operation at 42 V . The overvoltage protection hysteresis restores operation if the input voltage has dropped below 36 V . The IC can be switched off via the inhibit input, which causes the quiescent current to drop below $50\text{ }\mu\text{A}$. A reset signal is generated for an output voltage of $V_Q < 4.5\text{ V}$. The watchdog circuit monitors a connected controller. If there is no positive-going edge at the watchdog input within a fixed time, the reset output is set to low. The delay for power-on reset and the maximum permitted watchdog-pulse period can be set externally with a capacitor.

Design Notes for External Components

An input capacitor C_I is necessary for compensation of line influences. The resonant circuit consisting of lead inductance and input capacitance can be damped by a resistor of approx. $1\text{ }\Omega$ in series with C_I . An output capacitor C_Q is necessary for the stability of the regulating circuit. Stability is guaranteed at values of $C_Q \geq 22\text{ }\mu\text{F}$ and an ESR of $< 3\text{ }\Omega$.

Circuit Description

The control amplifier compares a reference voltage, which is kept highly accurate by resistance adjustment, to a voltage that is proportional to the output voltage and drives the base of a series transistor via a buffer. Saturation control as a function of the load current prevents any over-saturation of the power element.

If the output voltage decreases below 4.5 V , an external capacitor C_D on pin 4 (D) will be discharged by the reset generator. If the voltage on this capacitor V_D drops below V_{DRL} , a reset signal is generated on pin 2 (RO), i.e. reset output is set low. If the output voltage rises above 4.5 V , C_D will be charged with constant current. After the power-on-reset time V_D reaches V_{DU} and the reset output will be set high again. The value of the power-on-reset time can be set within a wide range depending on the capacity of C_D . The value of the pull-up resistor at reset output is typically $30\text{ k}\Omega$.

After V_D has reached the voltage V_{DU} and reset was set to high, the watchdog circuit is enabled and discharges C_D with a constant current. If there is no positive-going edge observed at watchdog input, C_D will be discharged down to V_{DWL} . Then reset will be set low and the watchdog circuit will be disabled. C_D will be charged with the current as at power-on reset until V_D reaches V_{DU} and reset will be set high again.

If a watchdog pulse will be observed before C_D is discharged down to V_{DWL} , the watchdog circuit will be enabled and C_D will be charged too, but reset will not be set low. After V_D has reached V_{DU} , the periodical behavior starts again.

The IC also incorporates a number of internal circuits for protection against:

- Overload
- Overvoltage
- Overtemperature
- Reverse polarity

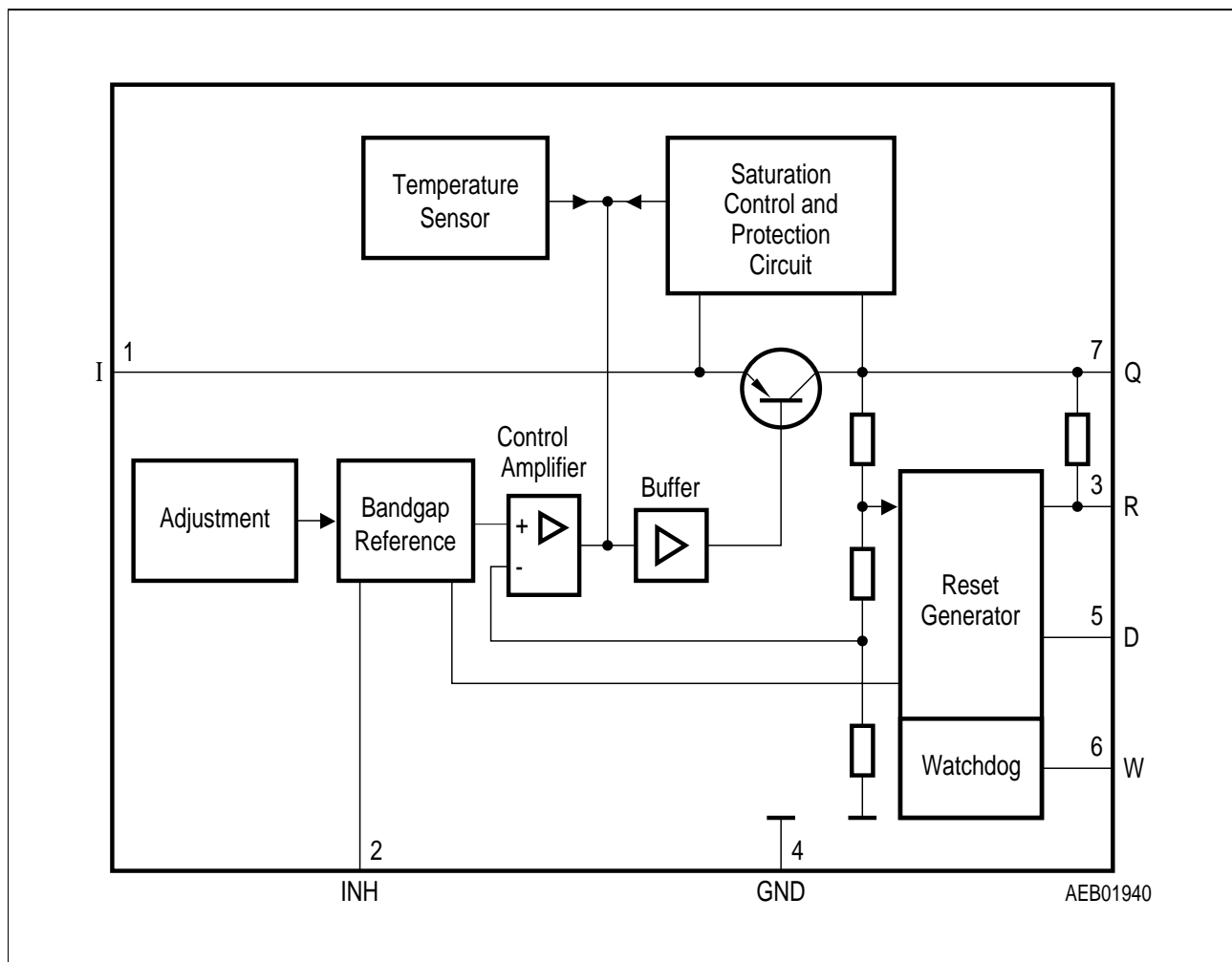


Figure 2
Block Diagram

Absolute Maximum Ratings $T_j = -40$ to 150 °C

Parameter	Symbol	Limit Values		Unit	Notes
		min.	max.		

Input

Voltage	V_I	- 42	42	V	-
Voltage	V_I	-	65	V	$t \leq 400$ ms
Current	I_I	-	-	mA	internally limited

Inhibit

Voltage	V_E	- 42	42	V	-
Voltage	V_E	-	65	V	$t \leq 400$ ms
Current	I_E	-	-	mA	internally limited

Reset Output

Voltage	V_R	- 0.3	42	V	-
Current	I_R	-	-	mA	internally limited

Reset Delay

Voltage	V_D	- 0.3	7	V	-
Current	I_D	- 5	5	mA	-

Watchdog

Voltage	V_W	- 0.3	7	V	-
Current	I_W	- 5	5	mA	-

Output

Voltage	V_Q	- 1.0	16	V	-
Current	I_Q	- 5	-	mA	internally limited

Ground

Current	I_{GND}	- 0.5	-	A	-
---------	-----------	-------	---	---	---

Temperatures

Junction temperature	T_j	-	150	°C	-
Storage temperature	T_{stg}	- 50	150	°C	-

Optimum reliability and life time are guaranteed if the junction temperature does not exceed 125 °C in operating mode. Operation at up to the maximum junction temperature of 150 °C is possible in principle. Note, however, that operation at the maximum permitted ratings could affect the reliability of the device.

Operating Range

Parameter	Symbol	Limit Values		Unit	Notes
		min.	max.		
Input voltage	V_I	6	40	V	–
Junction temperature	T_j	– 40	150	°C	–

Thermal Resistance

Junction ambient	R_{thja}	–	65	K/W	–
			70	K/W	SMD version
Junction case	R_{thjc}	–	3	K/W	–
		–	6	K/W	P-TO220-7-8
		–	2	K/W	$t < 1$ ms

Characteristics

$V_I = 13.5 \text{ V}$; $-40 \text{ }^\circ\text{C} \leq T_j = \leq 125 \text{ }^\circ\text{C}$ (unless otherwise specified)

Parameter	Symbol	Limit Values			Unit	Test Condition
		min.	typ.	max.		
Output voltage	V_Q	4.90	5.00	5.10	V	$5 \text{ mA} \leq I_Q \leq 550 \text{ mA}$; $6 \text{ V} \leq V_I \leq 26 \text{ V}$
Output voltage	V_Q	4.90	5.00	5.10	V	$26 \text{ V} \leq V_I \leq 36 \text{ V}$; $I_Q \leq 300 \text{ mA}$;
Output current limiting	$I_{Q\text{max}}$	650	800	–	mA	$V_Q = 0 \text{ V}$
Current consumption $I_q = I_I$	I_q	–	–	50	μA	$V_e = 0 \text{ V}$; $I_Q = 0 \text{ mA}$
Current consumption $I_q = I_I$	I_q	–	800	–	μA	$V_e = 5 \text{ V}$; $I_Q = 0 \text{ mA}$
Current consumption $I_q = I_I - I_Q$	I_q	–	1	1.5	mA	$I_Q = 5 \text{ mA}$
Current consumption $I_q = I_I - I_Q$	I_q	–	55	75	mA	$I_Q = 550 \text{ mA}$
Current consumption $I_q = I_I - I_Q$	I_q	–	70	90	mA	$I_Q = 550 \text{ mA}$; $V_I = 5 \text{ V}$
Drop voltage	V_{dr}	–	350	700	mV	$I_Q = 550 \text{ mA}^{1)}$
Load regulation	ΔV_Q	–	25	50	mV	$I_Q = 5 \text{ to } 550 \text{ mA}$; $V_I = 6 \text{ V}$
Supply voltage regulation	ΔV_Q	–	12	25	mV	$V_I = 6 \text{ to } 26 \text{ V}$ $I_Q = 5 \text{ mA}$
Power supply Ripple rejection	$PSRR$	–	54	–	dB	$f_r = 100 \text{ Hz}$; $V_r = 0.5 V_{\text{SS}}$

¹⁾ Drop voltage = $V_I - V_Q$ (measured when the output voltage has dropped 100 mV from the nominal value obtained at 13.5 V input)

Characteristics (cont'd)

$V_I = 13.5 \text{ V}$; $-40 \text{ }^\circ\text{C} \leq T_j \leq 125 \text{ }^\circ\text{C}$ (unless otherwise specified)

Parameter	Symbol	Limit Values			Unit	Test Condition
		min.	typ.	max.		

Reset Generator

Switching threshold	V_{RT}	4.5	4.65	4.8	V	–
Reset high voltage	V_{ROH}	4.5	–	–	V	–
Reset low voltage	V_{ROL}	–	60	–	mV	$R_{\text{intern}} = 30 \text{ k}\Omega^2$; $1.0 \text{ V} \leq V_Q \leq 4.5 \text{ V}$
Reset low voltage	V_{ROL}	–	200	400	mV	$I_R = 3 \text{ mA}$, $V_Q = 4.4 \text{ V}$
Reset pull-up	R	18	30	46	K Ω	internally connection to Q3
Lower reset timing threshold	V_{DRL}	0.2	0.45	0.8	V	$V_Q < V_{RT}$
Charge current	I_d	8	14	25	μA	$V_D = 1.0 \text{ V}$
Upper timing threshold	V_{DU}	1.4	1.8	2.3	V	–
Delay time	t_d	8	13	18	ms	$C_D = 100 \text{ nF}$
Reset reaction time	t_{RR}	–	–	3	μs	$C_D = 100 \text{ nF}$

Overvoltage Protection

Turn-Off voltage	$V_{I,ov}$	40	44	46	V	–
------------------	------------	----	----	----	---	---

Inhibit

Inhibit ON voltage	V_{INH}	1.0	2.0	3.5	V	$V_Q = \text{high} (> 4.5 \text{ V})$
Inhibit OFF voltage	V_{INH}	0.8	1.3	3.3	V	$V_Q = \text{low} (< 0.8 \text{ V})$
Inhibit current	I_{INH}	8	12	25	μA	$V_{INH} = 5 \text{ V}$

Watchdog

Upper timing threshold	V_{DU}	1.4	1.8	2.3	V	–
Lower watchdog timing threshold	V_{DWL}	0.2	0.45	0.8	V	–
Discharge current	I_{dis}	1.5	2.7	3.5	μA	$V_D = 1 \text{ V}$

Characteristics (cont'd)
 $V_I = 13.5 \text{ V}; -40 \text{ }^\circ\text{C} \leq T_j = \leq 125 \text{ }^\circ\text{C}$ (unless otherwise specified)

Parameter	Symbol	Limit Values			Unit	Test Condition
		min.	typ.	max.		
Charge current	I_d	8	14	25	μA	$V_D = 1 \text{ V}$
Watchdog period	t_w	40	55	75	ms	$C_D = 100 \text{ nF}$
Watchdog trigger time	t_{wt}	30	45	66	ms	$C_D = 100 \text{ nF}$ see diagram
Watchdog pulse slew rate	V_w	5	–	–	$\text{V}/\mu\text{s}$	from 20% to 80% V_Q

²⁾ Reset peak is always lower than 1.0 V.

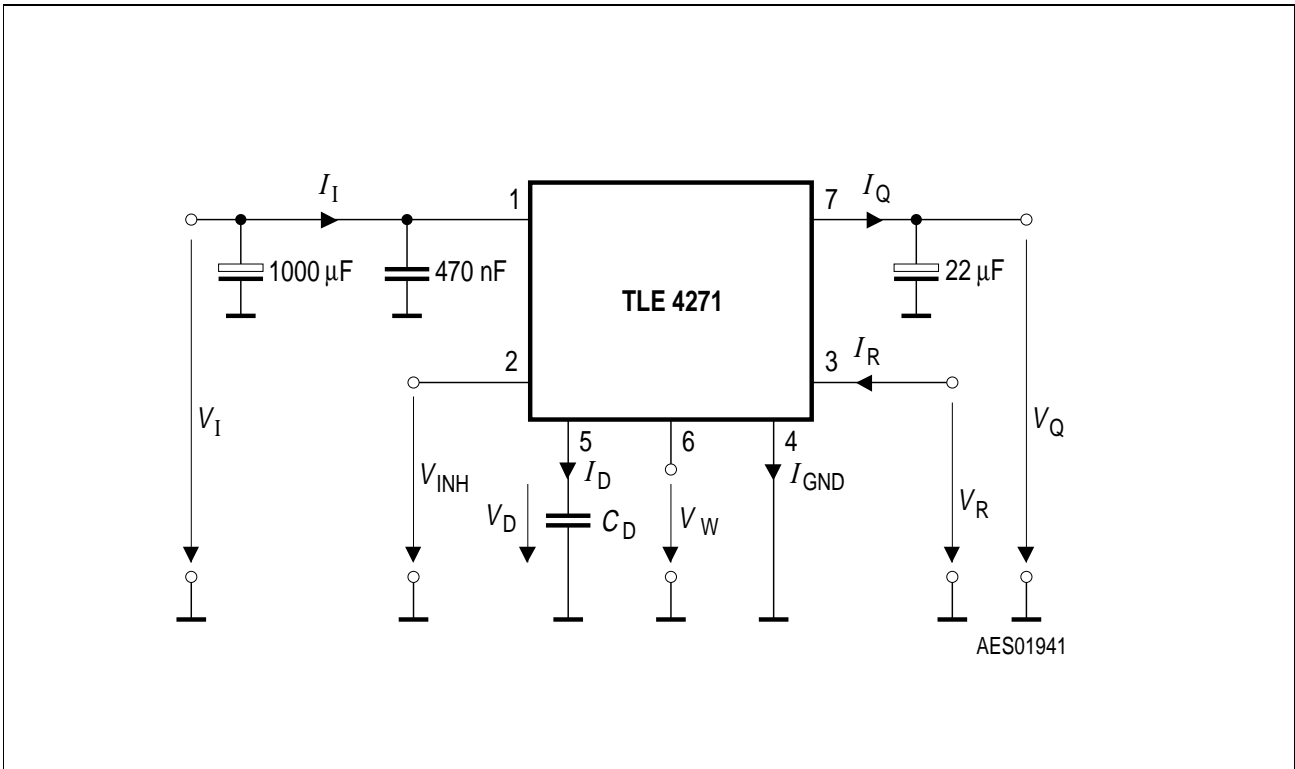


Figure 3
Test Circuit

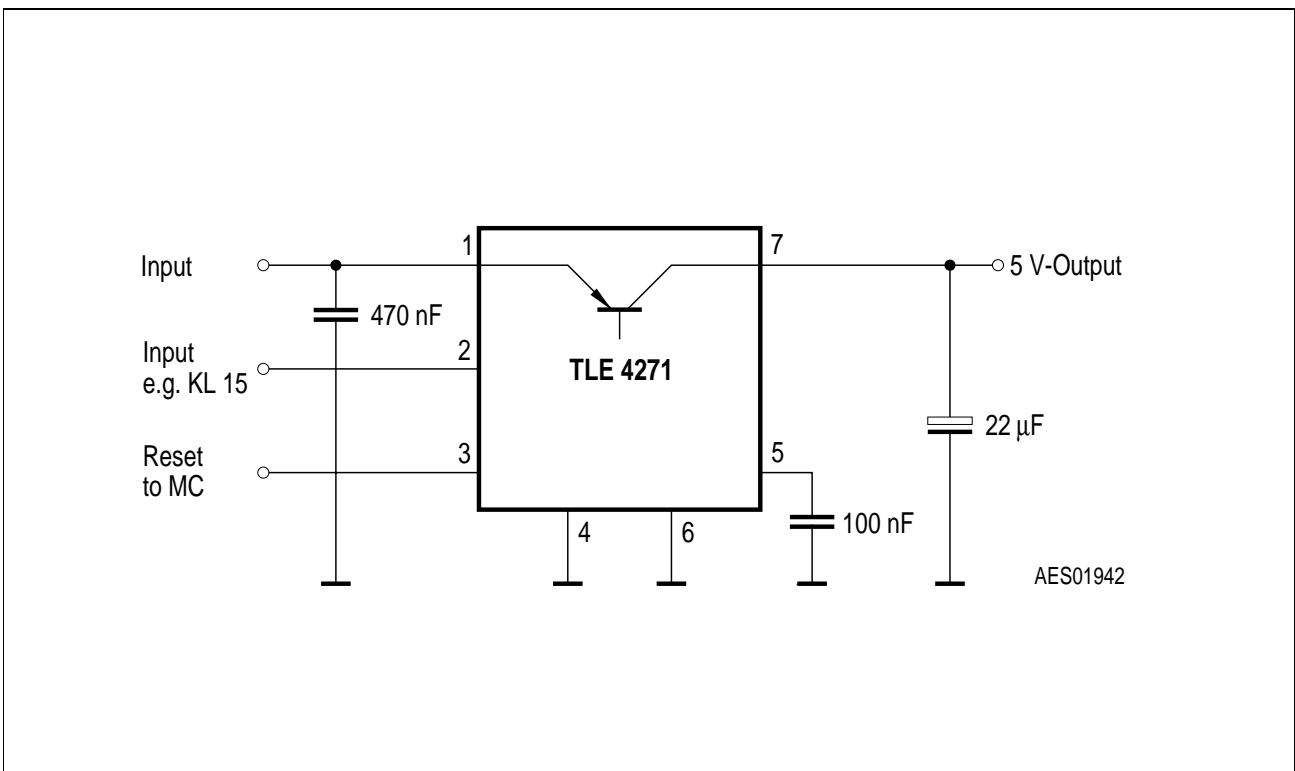


Figure 4
Application Circuit

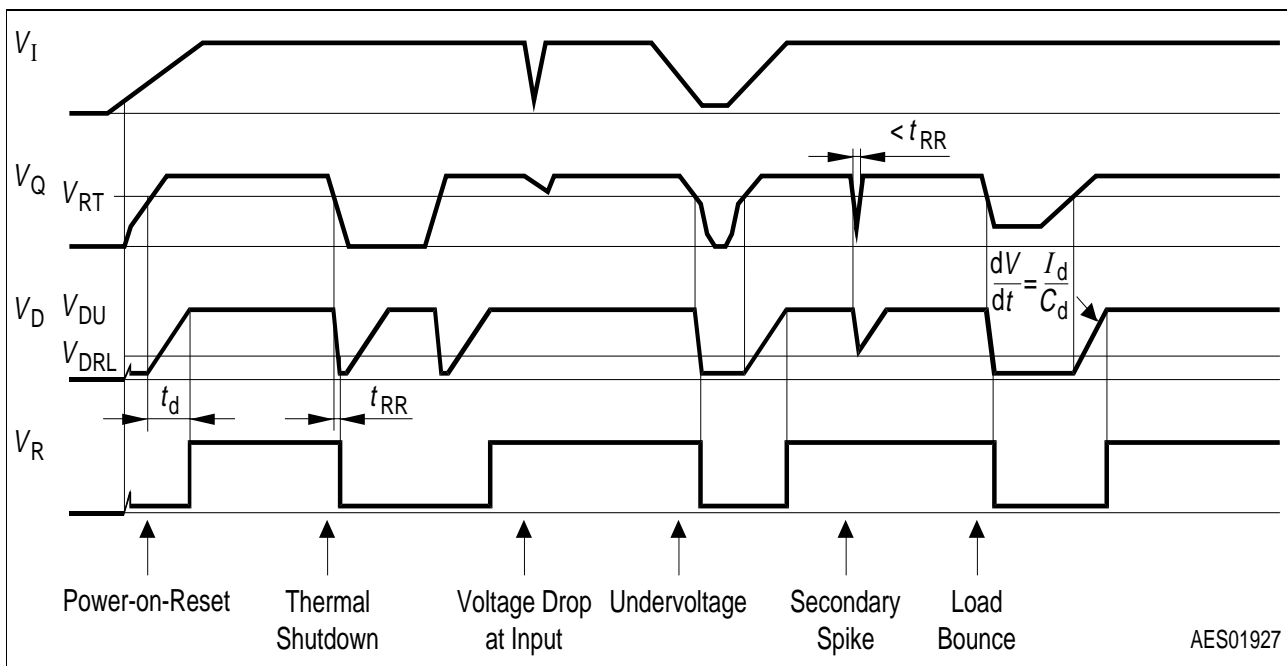


Figure 5
Time Response

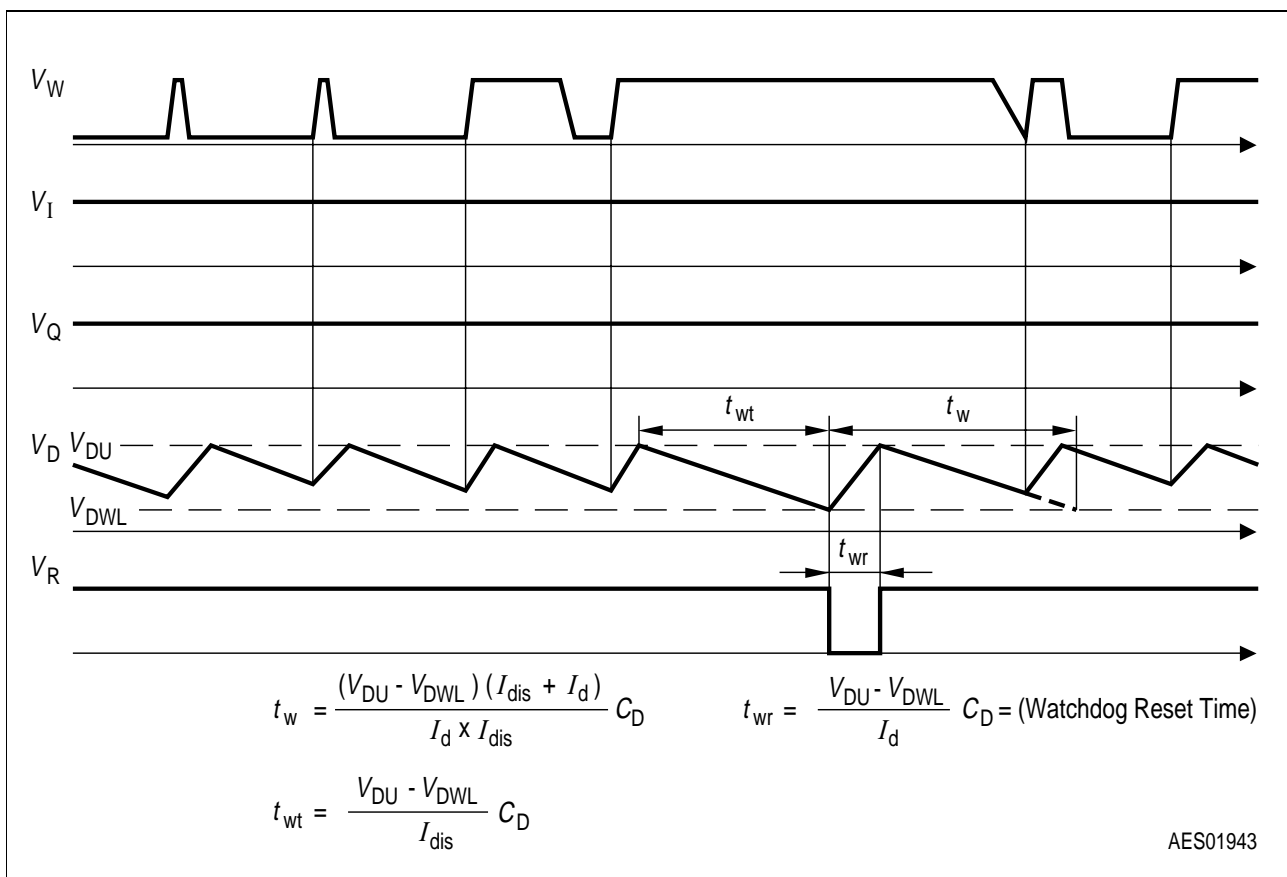
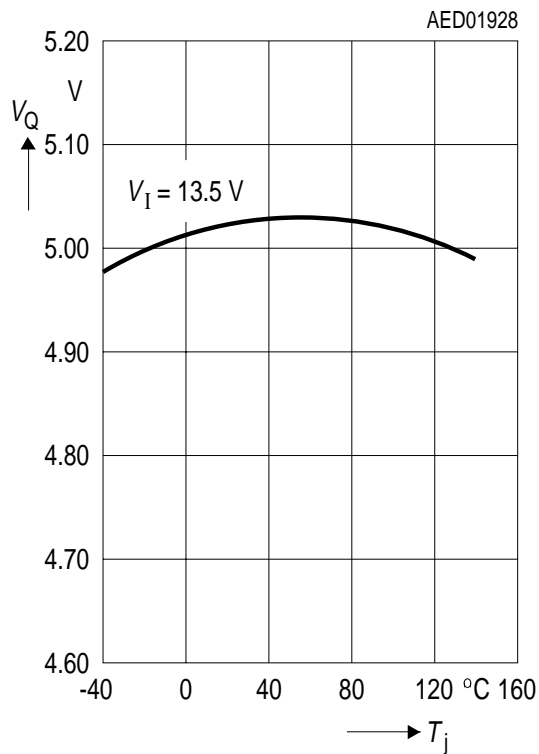
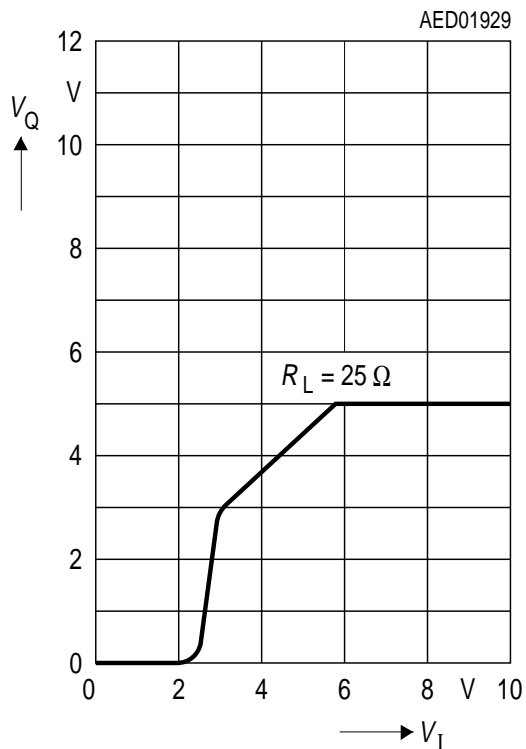


Figure 6
Time Response, Watchdog Behavior

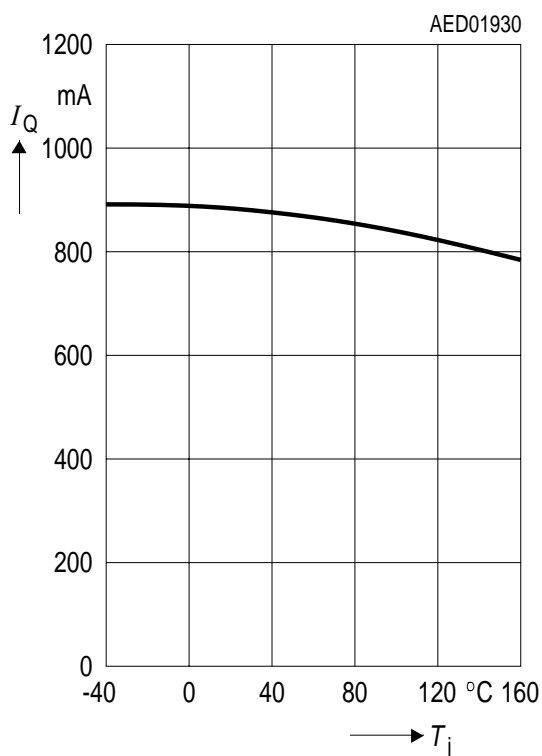
Output Voltage V_Q versus Temperature T_j



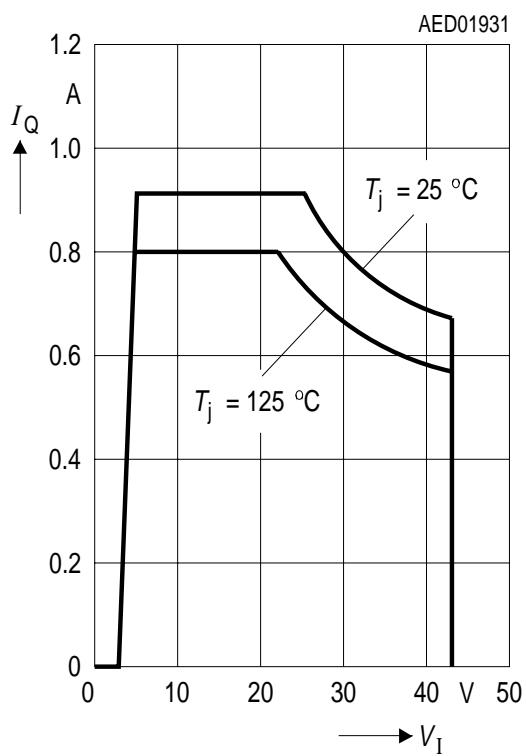
Output Voltage V_Q versus Input Voltage V_I ($V_I = V_o$)



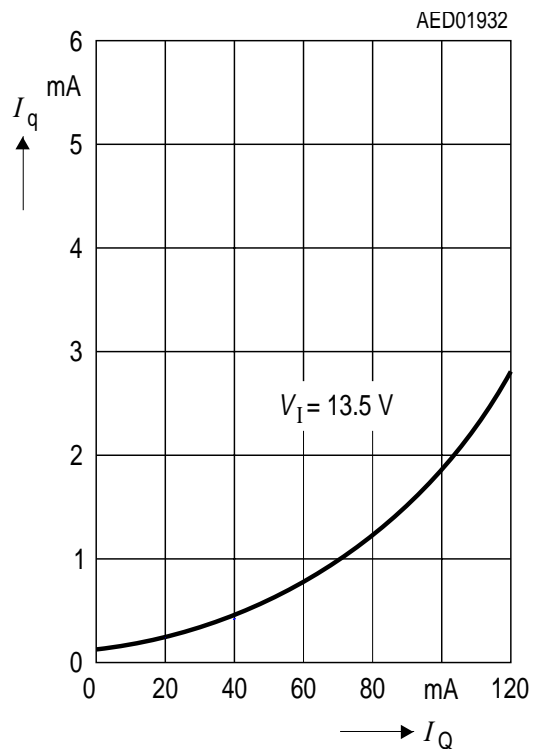
Output Current I_Q versus Temperature T_j



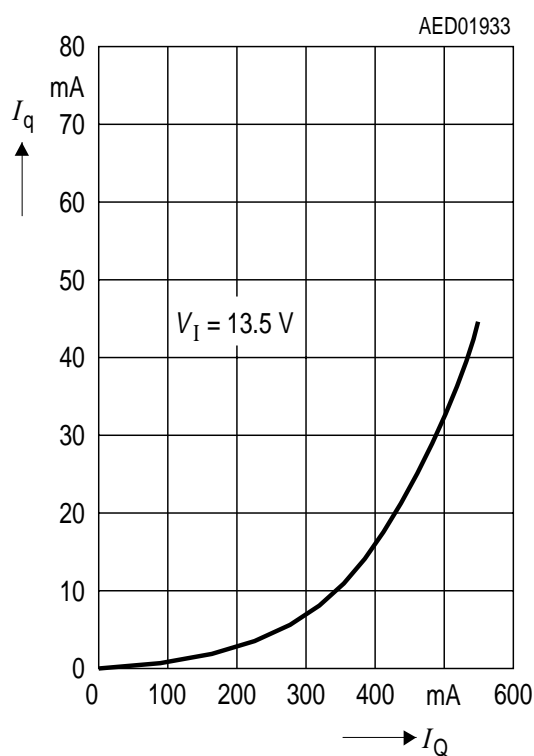
Output Current I_Q versus Input Voltage V_I



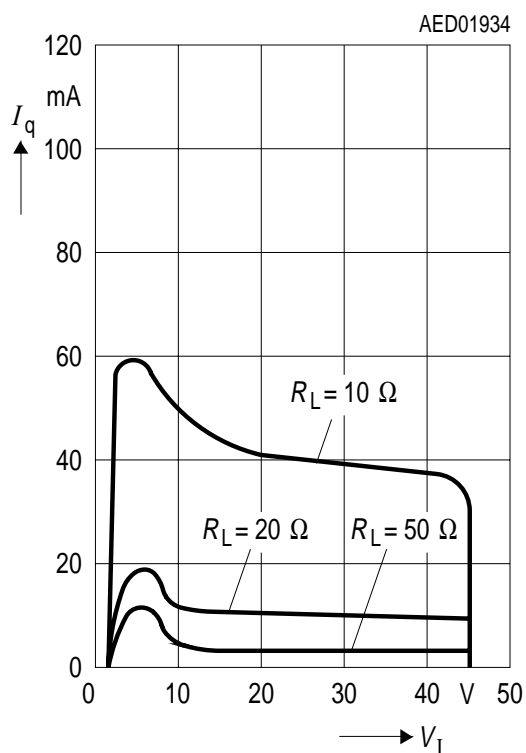
Current Consumption I_q versus Output Current I_Q



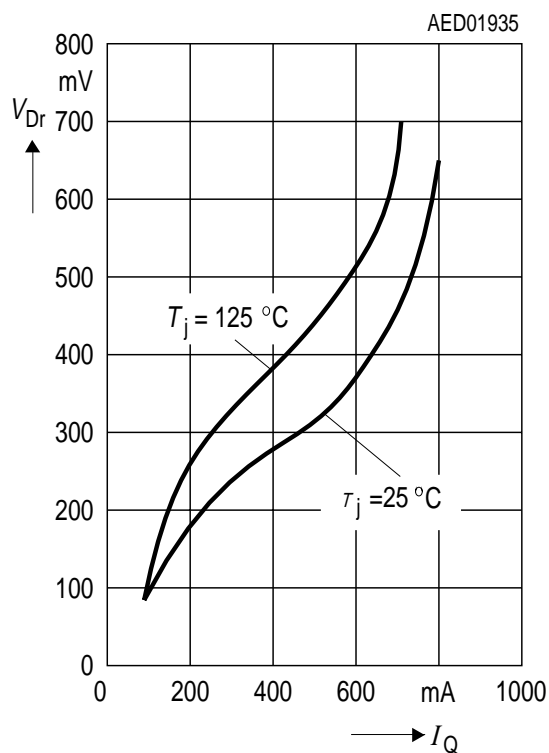
Current Consumption I_q versus Output Current I_Q



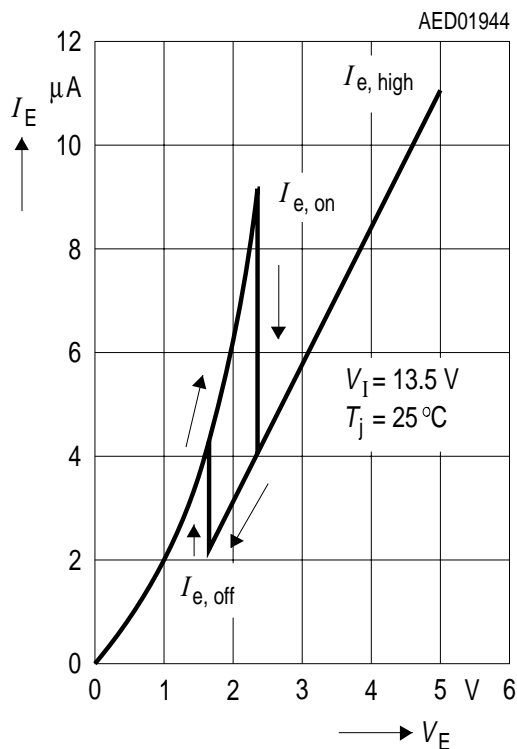
Current Consumption I_q versus Input Voltage V_I



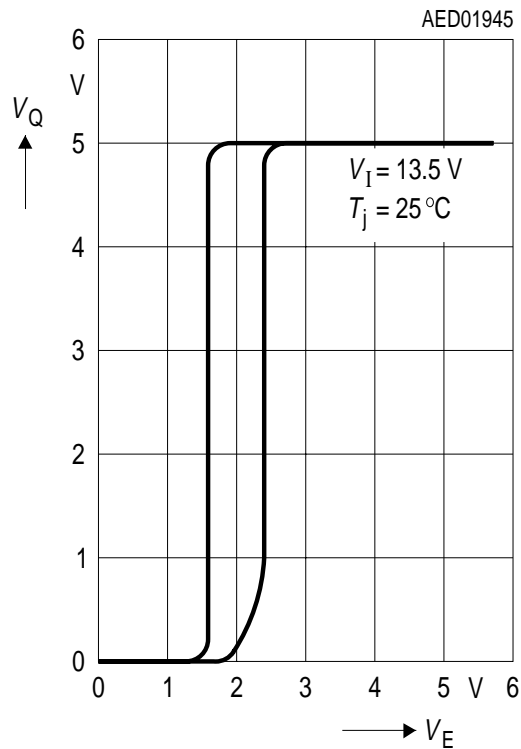
Drop Voltage V_{Dr} versus Output Current I_Q



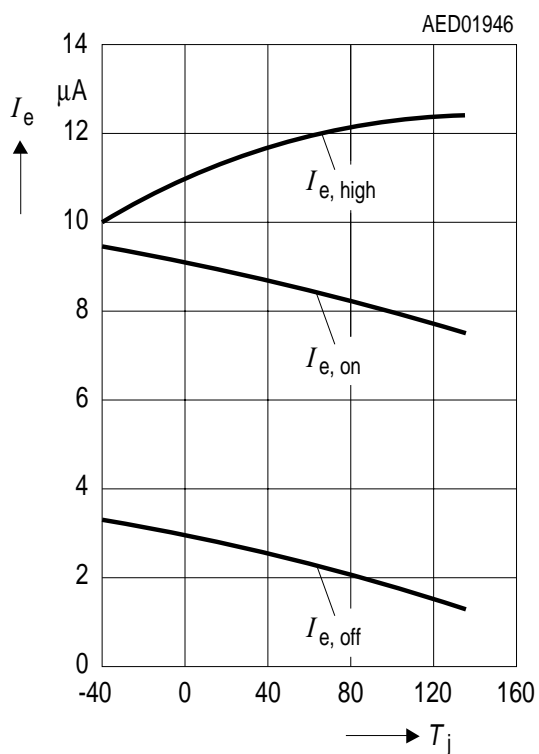
Inhibit Current I_E versus Inhibit Voltage V_E



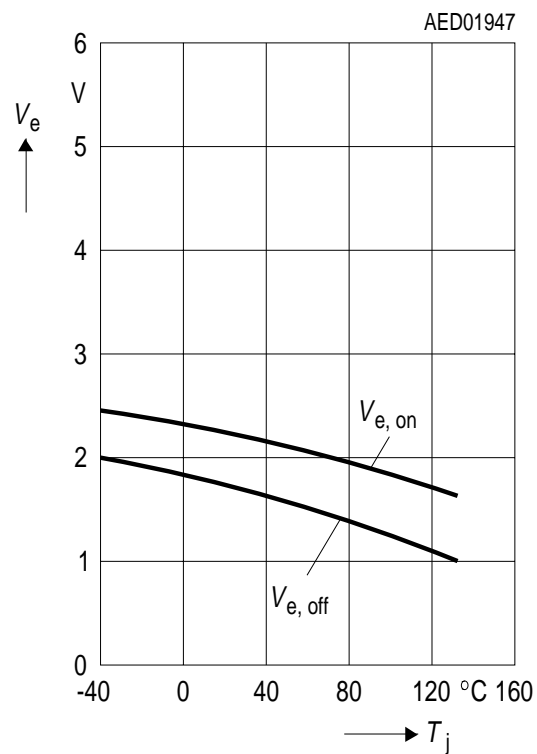
Output Voltage V_Q versus Inhibit Voltage V_E



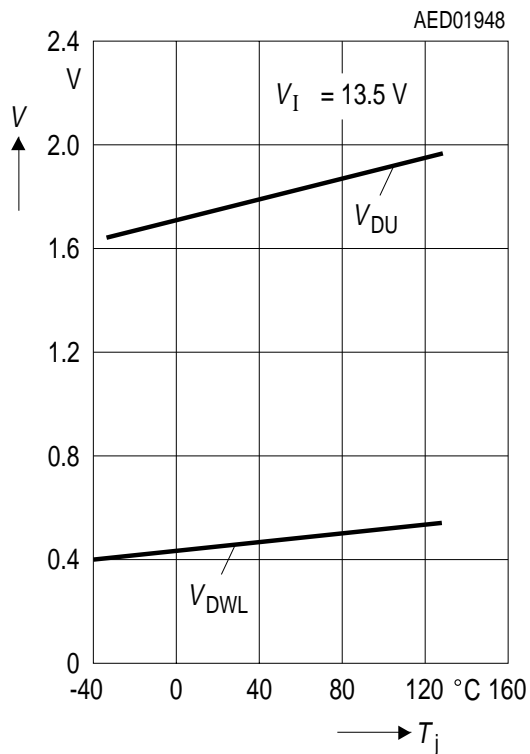
Inhibit Current Consumptions I_e versus Temperature T_j



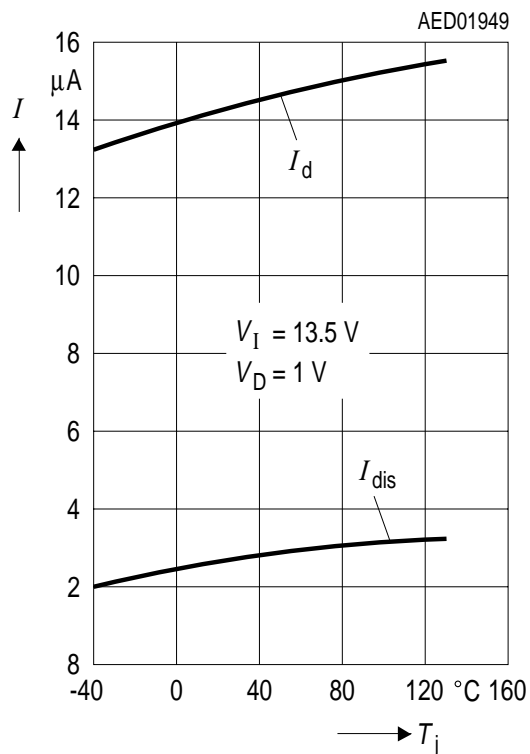
Inhibit Voltages V_e versus Temperature T_j



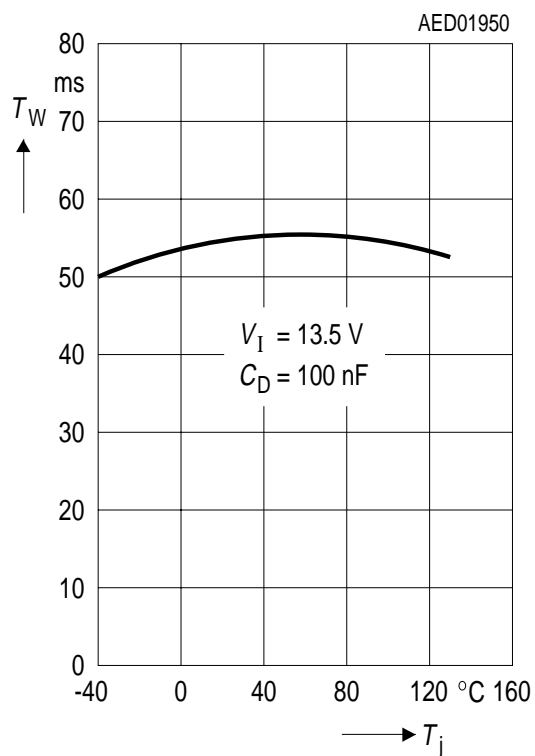
Switching Voltage V_{DU} and V_{DWL} versus Temperature T_j



Charge Current I_d and Discharge Current I_{dis} versus Temperature T_j



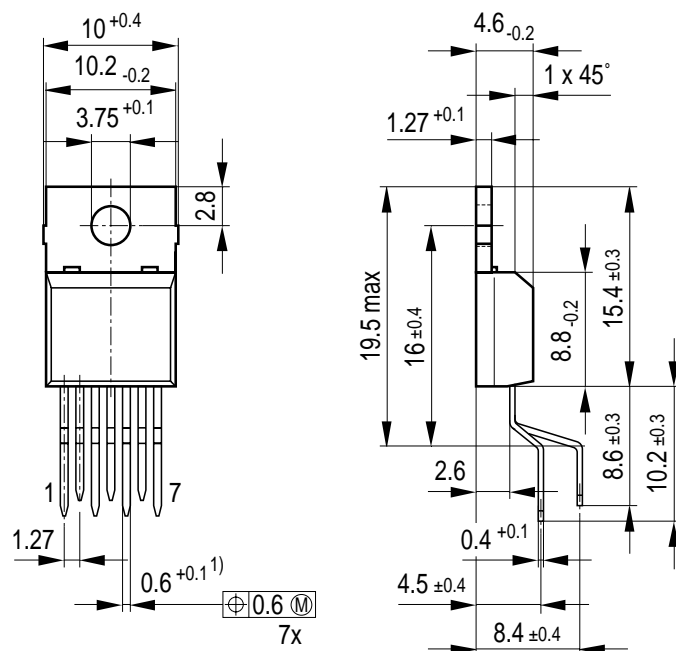
Watchdog Pulse Time T_w versus Temperature T_j



Package Outlines

P-TO220-7-1

(Plastic Transistor Single Outline Package)



1) $0.75_{-0.15}$ at dam bar (max 1.8 from body)

1) $0.75_{-0.15}$ im Dichtstegbereich (max 1.8 vom Körper)

GPT05108

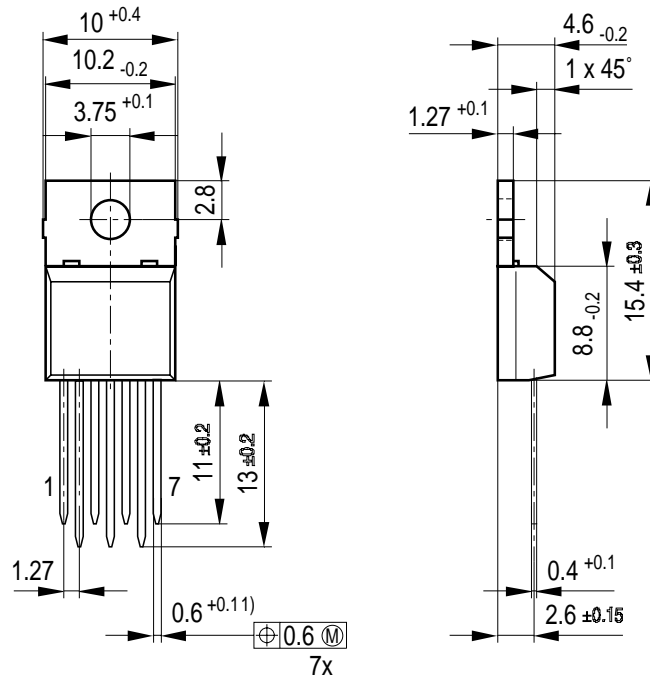
Sorts of Packing

Package outlines for tubes, trays etc. are contained in our Data Book "Package Information".

Dimensions in mm

P-TO220-7-2

(Plastic Transistor Single Outline Package)



- 1) $0.75^{-0.15}$ at dam bar (max 1.8 from body)
- 1) $0.75^{-0.15}$ im Dichtstegbereich (max 1.8 vom Körper)

GPT05257

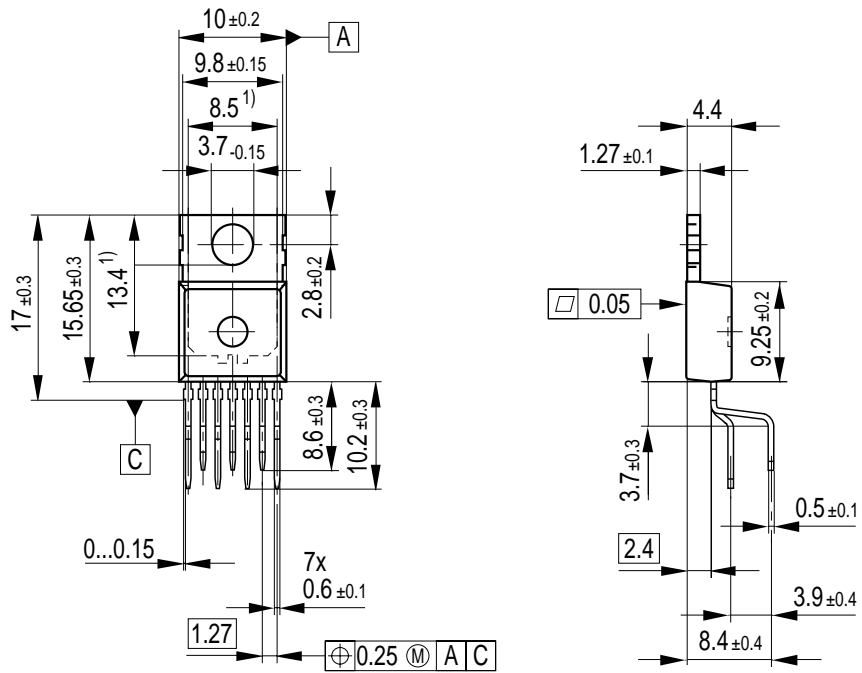
Sorts of Packing

Package outlines for tubes, trays etc. are contained in our Data Book "Package Information".

Dimensions in mm

P-TO220-7-11

(Plastic Transistor Single Outline Package)



1) Typical
All metal surfaces tin plated, except area of cut.

GPT09083

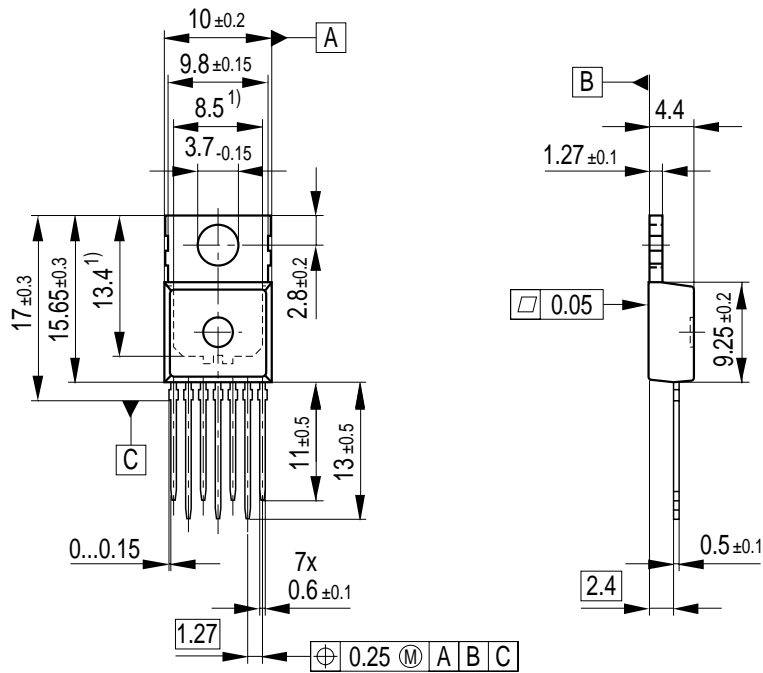
Sorts of Packing

Package outlines for tubes, trays etc. are contained in our Data Book "Package Information".

Dimensions in mm

P-TO220-7-12

(Plastic Transistor Single Outline Package)



¹⁾ Typical
All metal surfaces tin plated, except area of cut.

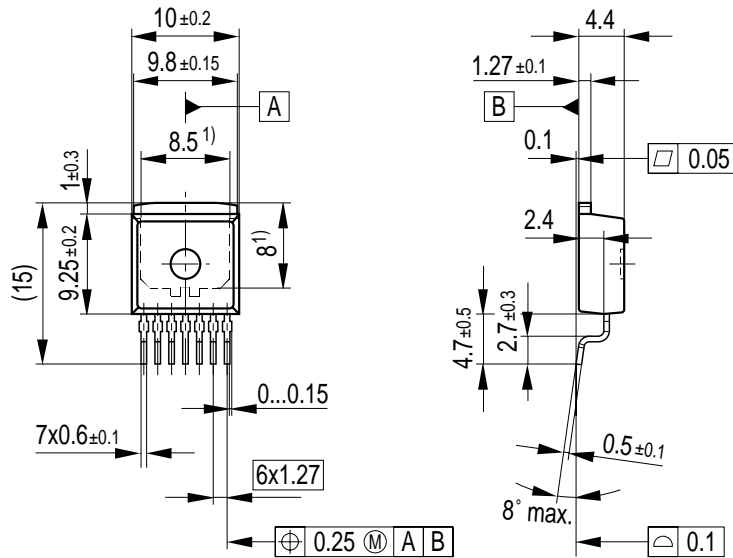
GPT09084

Sorts of Packing

Package outlines for tubes, trays etc. are contained in our Data Book "Package Information".

Dimensions in mm

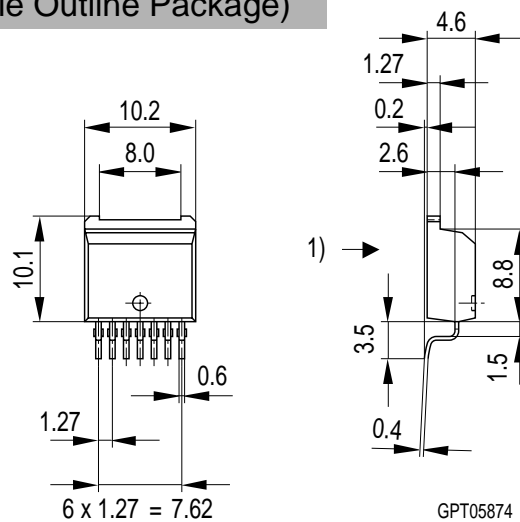
P-TO263-7-1
(Plastic Transistor Single Outline Package)



1) Typical
All metal surfaces tin plated, except area of cut.

GPT09114

P-TO220-7-8
(Plastic Transistor Single Outline Package)



1) shear and punch direction burr free surface

GPT05874

Sorts of Packing

Package outlines for tubes, trays etc. are contained in our Data Book "Package Information".

SMD = Surface Mounted Device

Dimensions in mm