



# LC86E6548

## 8-Bit Single Chip Microcontroller with the UVEPROM

### Preliminary

#### Overview

The LC86E6548 is a CMOS 8-bit single chip microcontroller with UVEPROM for the LC866500 series.

This microcontroller has the function and the pin description of the LC866500 series mask ROM version, and 48K-byte EPROM. The program data is rewritable. It is suitable to develop the program.

#### Features

- (1) Option switching by EPROM data

The option function of the LC866500 series can be specified by the EPROM data.

LC86E6548 can be checked the function of the trial pieces using the mass production board.

- (2) Internal one-time EPROM capacity : 49408 bytes

- (3) Internal RAM capacity : 1152 bytes

Used EPROM or RAM capacity are equal ROM or RAM capacity of mask ROM version which applies LC86E6548.

Mask ROM version	EPROM capacity	RAM capacity
LC866548	49152 bytes	1152 bytes
LC866540	40960 bytes	1152 bytes
LC866532	32768 bytes	1152 bytes
LC866528	28672 bytes	896 bytes
LC866524	24576 bytes	896 bytes

■ Any and all SANYO products described or contained herein do not have specifications that can handle applications that require extremely high levels of reliability, such as life-support systems, aircraft's control systems, or other applications whose failure can be reasonably expected to result in serious physical and/or material damage. Consult with your SANYO representative nearest you before using any SANYO products described or contained herein in such applications.

■ SANYO assumes no responsibility for equipment failures that result from using products at values that exceed, even momentarily, rated values (such as maximum ratings, operating condition ranges, or other parameters) listed in products specifications of any and all SANYO products described or contained herein.

**SANYO Electric Co.,Ltd. Semiconductor Company**

TOKYO OFFICE Tokyo Bldg., 1-10, 1 Chome, Ueno, Taito-ku, TOKYO, 110-8534 JAPAN

## LC86E6548

- (4) Operating supply voltage : 4.5V to 6.0V
- (5) Instruction cycle time : 1.0μs to 366μs
- (6) Operating temperature : +10°C to +40°C
- (7) The pin compatible with the LC866500 series mask ROM devices
- (8) Applicable mask ROM version : LC866548/LC866540//LC866532/LC866528/LC866524
- (9) Factory shipment : QFC100S(with window)

### Notice for use

LC86E6548 is provided for the first release and small shipping of the LC866500 series.  
At using, take notice of the followings.

- (1) A point of difference LC86E6548 and LC866500 series

Item	LC86E6548	LC866548/40/32/28/24
Operation after reset releasing	The option is specified until 3ms after going to a 'H' level to the reset terminal by dgress. The program is executed from 00H of the program counter.	The program is executed from 00H of the program counter immediately after going to a 'H' level to reset terminal.
Pull-down resistor of the following pins •S0/T0 – S6/T6 •S7/T7 – S15/T15 •S16 – S31 •S32 – S47 •S48 – S51	Pull-down resistor provided/not provided Not provided Provided (fixed) Provided (fixed) Not provided Not provided	Pull-down resistor provided/not provided Specified by the option Provided (fixed) Specified by the option Specified by the option Not provided
Operating temperature rang (Topg)	+10°C to +40°C	-30°C to +70°C
Power dissipation	Refer to 'electrical characteristics' on the semiconductor news.	

LC86E6548 uses 256 bytes that is addressed on FF00H to FFFFH in the program memory as the option configuration data area. This option configuration cannot execute all options which LC866500 series have. Next tables show the options that correspond and not correspond to LC86E6548.

- A kind of the option corresponding of the LC86E6548

A kind of option	Pins, Circuits	Contents of the option
Input/output form of Input/output ports	Port 0	1. N-channel open drain output 2. CMOS output *1
	Port 1	1. Pull-up MOS Tr. provided 2. Pull-up MOS Tr. not provided *2
	Port 3 *1	1. Input : Programmable pull-up MOS Tr. Output : N-channel open drain 2. Input : Programmable pull-up MOS Tr. Output : CMOS
	Port 3 *1	1. Input : No Programmable pull-up MOS Tr. Output : N-channel open drain 2. Input : Programmable pull-up MOS Tr. Output : CMOS

\*1) Specified in a bit

\*2) Specified in nibble unit. The port of N-channel open drain output does not have the Pull-up MOS Tr..

## LC86E6548

- A kind of the option not corresponding of the LC86E6548

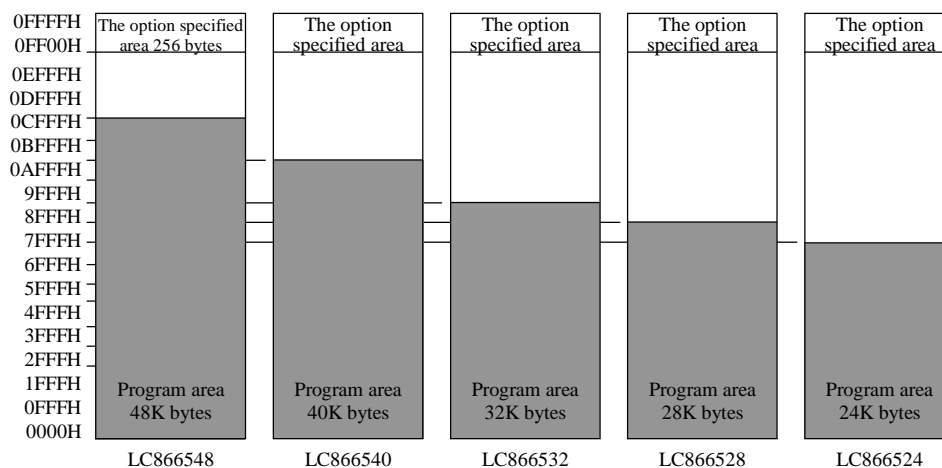
A kind of option	Pins, Circuits	LC86E6548	LC866548/40/32/28/24
Pull-down resistor of the high voltage	•S0/T0 to S6/T6	Not provided	Specified by the option
Withstand output terminals	•S16 to S31	Provided (fixed)	Specified by the option
	•S32 to S47	Not provided	Specified by the option

### (2) Option

The option data is created by the option specified program "SU86K.EXE". The created option data is linked to the program area by linkage loader "L86K.EXE".

### (3) ROM space

LC86E6548 and LC866500 series use 256 bytes that is addressed on 0FF00H to 0FFFFH in the program memory as the option specified data area. These program memory capacity are 49152 bytes that is addressed on 0000H to BFFFH.



How to use

(1) Preparation

A complete evaluation (EVA) file must be converted to an INTEL-HEX formatted file (HEX) file for program to the LC86E6548.

An EVA2HEX.EXE. can convert a EVA file to a HEX file.

Program the file that converted by the EVA2HEX to the LC86E6548.

(2) How to program for the EPROM

LC86E6548 can be programmed by the EPROM programmer with attachment ; W86EP6548Q.

- Recommended EPROM programmer

Producter	EEPROM programmer
Advantest	R4945, R4944, R4943
Andou	AF-9704
AVAL	PKW-1100, PKW-3000
Minato electronics	MODEL 1890A

- “27512 (Vpp=12.5V) Intel high speed programming” mode available. The address must be set to “0 to 0FFFFH” and a jumper (DASEC) must be set to ‘OFF’ at programming.

(3) How to use the data security function

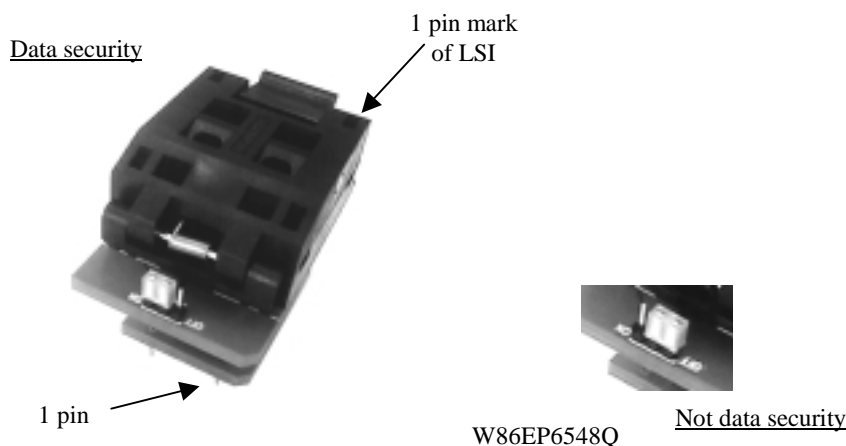
“Data security” is the disabled function to read the data of the EPROM.

The following is the process in order to execute the data security.

1. Set ‘ON’ the jumper of attachment.
2. Program again. Then EPROM programmer displays the error. The error means normally activity of the data security. It is not a trouble of the EPROM programmer or the LSI.

Notes

- Data security is not executed when the data of all address have ‘FFH’ at the sequence 2 above.
- The programming by a sequential operation “BLANK⇒PROGRAM⇒VERIFY” cannot be executed data security at the sequence 2 above.
- Set to ‘OFF’ the jumper after executing the data security.



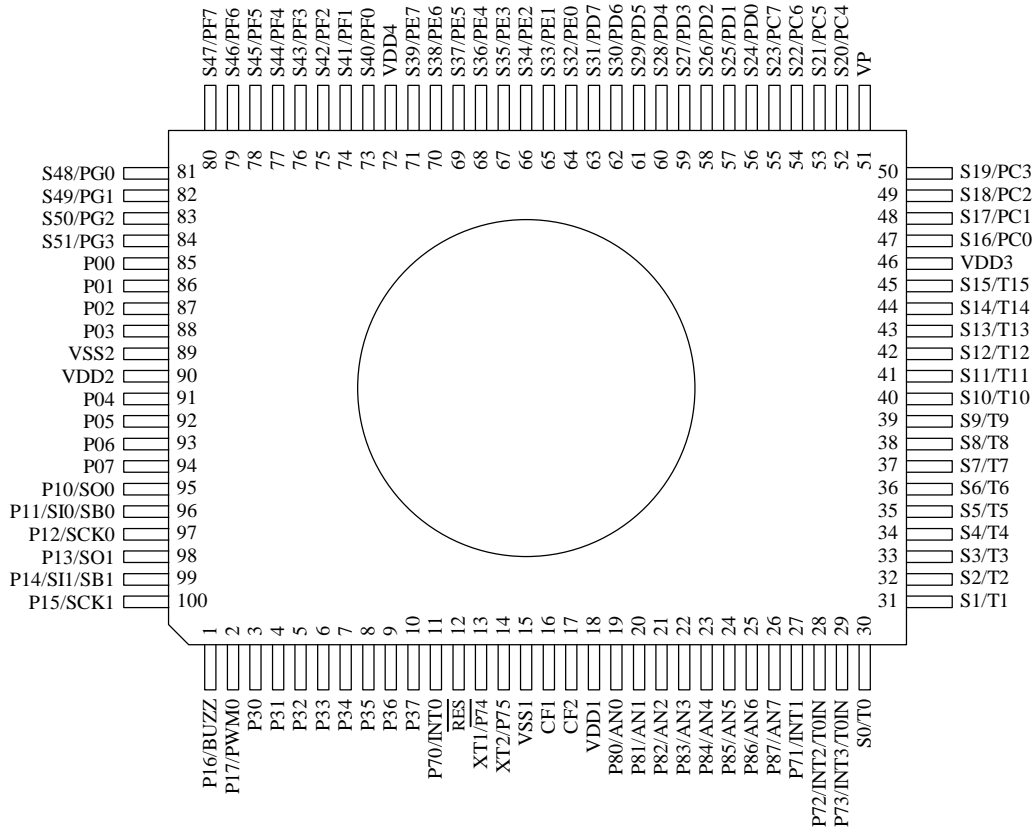
(4) How to eliminate

The programming data can be erased by using the EPROM eraser.

(5) Shielding

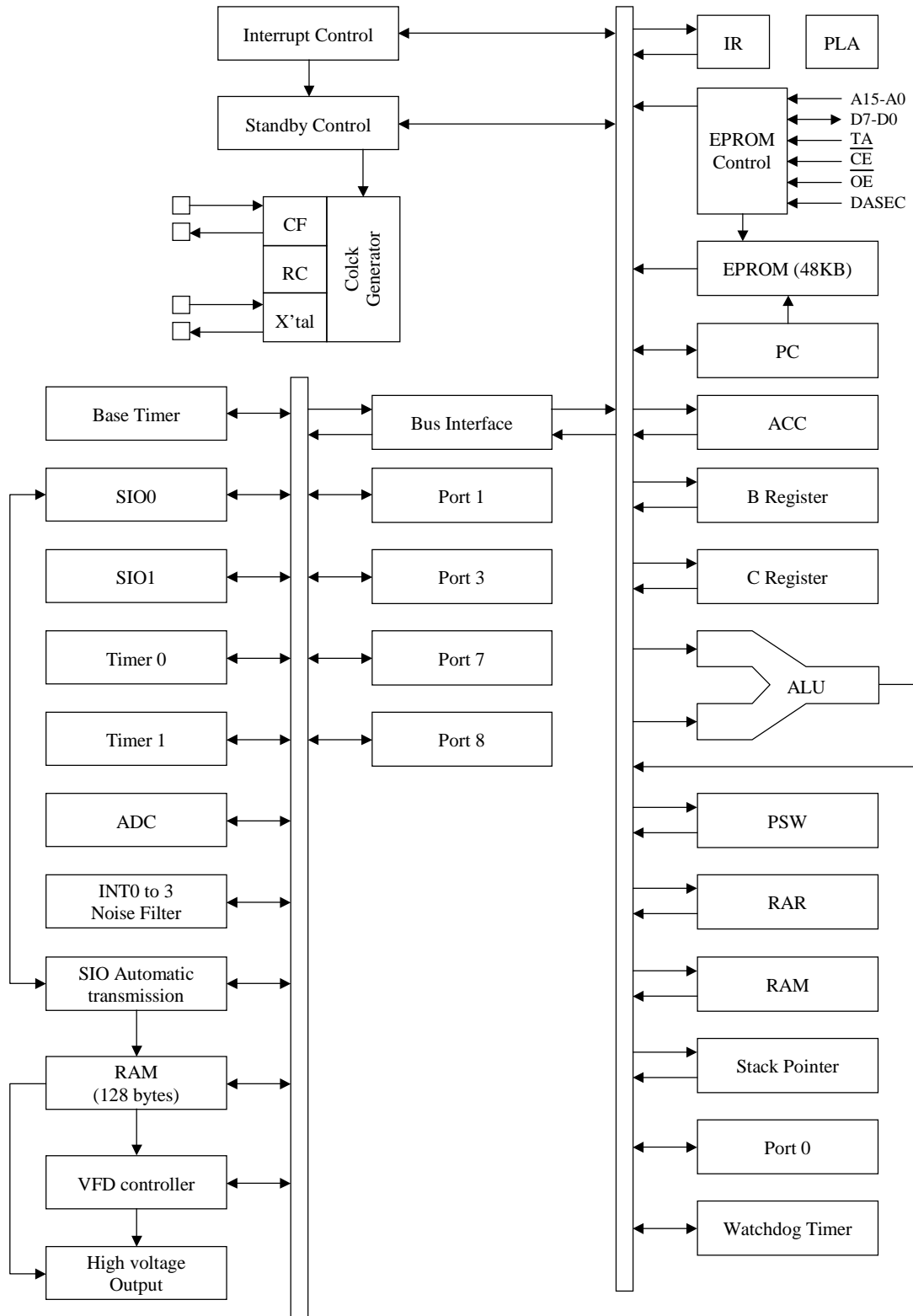
The UVEPROM (ultraviolet erasable programmable ROM) is in it. Put the seal on the window in use.

Pin Assignment



SANYO: QFC100S

System Block Diagram



**LC86E6548 Pin description**

Pin name	I/O	Function description	Option	EPROM mode																																			
VSS1,2	-	Power pin (-) *4	-	-																																			
VDD1,2,3,4	-	Power pin (+) *4	-	-																																			
VP	-	Power pin (+) for the VFD output pull-down resist	-	-																																			
PORT0 P00 to P07	I/O	<ul style="list-style-type: none"> <li>•8-bit input/output port</li> <li>•Input for port 0 interrupt</li> <li>•Input/output in nibble units</li> <li>•Input for HOLD release</li> <li>•15V withstand at N-channel open drain output</li> </ul>	<ul style="list-style-type: none"> <li>•Pull-up resistor : Provided/Not provided (each nibble)</li> <li>•Output form : CMOS/N-channel open drain (each bit)</li> </ul>	-																																			
PORT1 P10 to P17	I/O	<ul style="list-style-type: none"> <li>•8-bit input/output port</li> <li>•Input/output can be specified in a bit unit</li> <li>•Other pin functions P10 SIO0 data output P11 SIO0 data input/bus input/output P12 SIO0 clock input/output P13 SIO1 data output P14 SIO1 data input/bus input/output P15 SIO1 clock input/output P16 Buzzer output P17 Timer 1 output (PWM0 output)</li> </ul>	<ul style="list-style-type: none"> <li>•Output form : CMOS/N-channel open drain (each bit)</li> </ul>	Data line D0 to D7																																			
PORT3 P30 to P37	I/O	<ul style="list-style-type: none"> <li>•8-bit input/output port</li> <li>•Input/output in bit unit</li> <li>•15V withstand at N-channel open drain output</li> </ul>	<ul style="list-style-type: none"> <li>•Output form : CMOS/N-channel open drain (each bit)</li> </ul>	-																																			
PORT7 P70 to P73 $\overline{P74}$ to P75	I/O  I	<ul style="list-style-type: none"> <li>•4-bit input/output port</li> <li>•Input/output in bit unit</li> <li>•2-bit input port</li> <li>•Other pin functions P70 : INT0 input/HOLD release/N-channel Tr. output for watchdog timer P71 : INT1 input/HOLD release input P72 : INT2 input/timer 0 event input P73 : INT3 input with noise filter/timer 0 event input <math>\overline{P74}</math> : 32.768kHz crystal oscillation terminal XT1 P75 : 32.768kHz crystal oscillation terminal XT2</li> <li>•Interrupt received forms, the vector addresses</li> </ul> <table border="1" style="width: 100%; border-collapse: collapse; margin-top: 5px;"> <thead> <tr> <th></th> <th>rising</th> <th>falling</th> <th>rising &amp; falling</th> <th>high level</th> <th>low level</th> <th>vector</th> </tr> </thead> <tbody> <tr> <td>INT0</td> <td>enable</td> <td>enable</td> <td>disable</td> <td>enable</td> <td>enable</td> <td>03H</td> </tr> <tr> <td>INT1</td> <td>enable</td> <td>enable</td> <td>disable</td> <td>enable</td> <td>enable</td> <td>0BH</td> </tr> <tr> <td>INT2</td> <td>enable</td> <td>enable</td> <td>enable</td> <td>disable</td> <td>disable</td> <td>13H</td> </tr> <tr> <td>INT3</td> <td>enable</td> <td>enable</td> <td>enable</td> <td>disable</td> <td>disable</td> <td>1BH</td> </tr> </tbody> </table>		rising	falling	rising & falling	high level	low level	vector	INT0	enable	enable	disable	enable	enable	03H	INT1	enable	enable	disable	enable	enable	0BH	INT2	enable	enable	enable	disable	disable	13H	INT3	enable	enable	enable	disable	disable	1BH		EPROM control signals DASEC (*1) $\overline{OE}$ (*2) $\overline{CE}$ (*3)
	rising	falling	rising & falling	high level	low level	vector																																	
INT0	enable	enable	disable	enable	enable	03H																																	
INT1	enable	enable	disable	enable	enable	0BH																																	
INT2	enable	enable	enable	disable	disable	13H																																	
INT3	enable	enable	enable	disable	disable	1BH																																	

Continue.

LC86E6548

Pin name	I/O	Function description	Option	EPROM mode
PORT8 P80 to 83 P84 to 87	I I/O	<ul style="list-style-type: none"> <li>•4-bit input port</li> <li>•Input/output in bit unit</li> <li>•4-bit input port</li> <li>•Other function</li> <li>AD input port (8 port pins)</li> </ul>	-	-
S0/T0 to S6/T6 *6	O	Output for VFD display controller segment/timing in common	-	-
S7/T7 to S15/T15 *7	O	<ul style="list-style-type: none"> <li>•Output for VFD display controller segment/timing with internal pull-down resistor in common</li> <li>•Internal pull-down resistor output</li> </ul>	-	TA (*5)
S16 to S31 *8	I/O	<ul style="list-style-type: none"> <li>•Output for VFD display controller Segment output</li> <li>•Other function</li> <li>S16 : High voltage input port PC0</li> <li>S17 : High voltage input port PC1</li> <li>S18 : High voltage input port PC2</li> <li>S19 : High voltage input port PC3</li> <li>S20 : High voltage input port PC4</li> <li>S21 : High voltage input port PC5</li> <li>S22 : High voltage input port PC6</li> <li>S23 : High voltage input port PC7</li>   <li>S24 : High voltage input port PD0</li> <li>S25 : High voltage input port PD1</li> <li>S26 : High voltage input port PD2</li> <li>S27 : High voltage input port PD3</li> <li>S28 : High voltage input port PD4</li> <li>S29 : High voltage input port PD5</li> <li>S30 : High voltage input port PD6</li> <li>S31 : High voltage input port PD7</li> </ul>	-	•Address input A15 to A0
S32 to S47 *9	I/O	<ul style="list-style-type: none"> <li>•Output for VFD display controller Segment</li> <li>•Other function</li> <li>S32 : High voltage input port PE0</li> <li>S33 : High voltage input port PE1</li> <li>S34 : High voltage input port PE2</li> <li>S35 : High voltage input port PE3</li> <li>S36 : High voltage input port PE4</li> <li>S37 : High voltage input port PE5</li> <li>S38 : High voltage input port PE6</li> <li>S39 : High voltage input port PE7</li>   <li>S40 : High voltage I/O port PF0</li> <li>S41 : High voltage I/O port PF1</li> <li>S42 : High voltage I/O port PF2</li> <li>S43 : High voltage I/O port PF3</li> <li>S44 : High voltage I/O port PF4</li> <li>S45 : High voltage I/O port PF5</li> <li>S46 : High voltage I/O port PF6</li> <li>S47 : High voltage I/O port PF7</li> </ul>	-	-

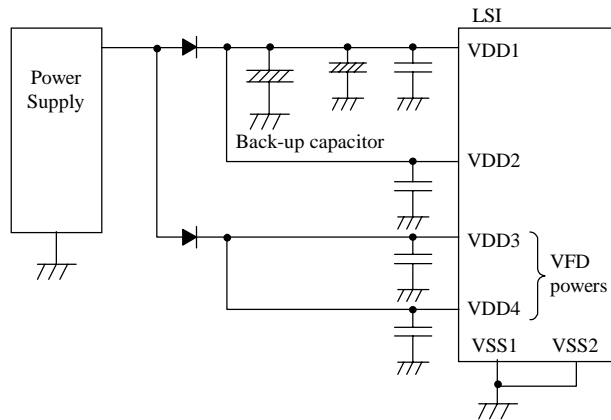
Continue.



Pin name	I/O	Function description	Option	EPROM mode
S48 to S51 *9	I/O	<ul style="list-style-type: none"> <li>•Output for VFD display controller segment</li> <li>•Other function</li> </ul> S48 : High voltage I/O port PG0 S49 : High voltage I/O port PG1 S50 : High voltage I/O port PG2 S51 : High voltage I/O port PG3	-	-
$\overline{\text{RES}}$	I	Reset pin	-	-
XT1/ $\overline{\text{P74}}$	I	<ul style="list-style-type: none"> <li>•Input pin for 32.768kHz crystal oscillation</li> <li>•Other function</li> </ul> XT1 : Input port $\overline{\text{P74}}$ In case of non use, connect to VDD1.	-	-
XT2/P75	O	<ul style="list-style-type: none"> <li>•Output pin for 32.768kHz crystal oscillation</li> <li>•Other function</li> </ul> XT2 : Input port P75 In case of non use, connect to VDD1 at using as port or unconnect at using as oscillation.	-	-
CF1	I	Input pin for the ceramic resonator oscillation	-	-
CF2	O	Output pin for the ceramic resonator oscillation	-	-

◆ All of port options (except pull-up resistor of port 0) can be specified in bit unit.

- \*1 Memory select input for data security
- \*2 Output enable input
- \*3 Chip enable input
- \*4 Connect like the following figure to reduce noise into a VDD1 terminal.  
Shorted the VSS1 terminal to the VSS2 terminal and to make the back-up time long.
- \*5 TA → EPROM control signal input
- \*6 S0/T0 to S6/T6 : not provided the pull-down resistor
- \*7 S7/T7 to S15/T15 : provided the pull-down resistor (fixed)
- \*8 S16 to S31 : provided the pull-down resistor (fixed)
- \*9 S32 to S51 : not provided the pull-down resistor



LC86E6548

1. Absolute Maximum Ratings at VSS1=VSS2=0V and Ta=25°C

Parameter	Symbol	Pins	Conditions	Ratings			unit		
				VDD[V]	min.	typ.		max.	
Supply voltage	VDDMAX	VDD1, VDD2 VDD3, VDD4	VDD1=VDD2 =VDD3=VDD4		-0.3		+7.0	V	
Input voltage	VI(1)	•Ports 74,75 •Ports 80,81,82,83 •Port 8 •RES			-0.3		VDD+0.3		
	VI(2)	VP			VDD-45		VDD+0.3		
Output voltage	VO(1)	S0/T0 to S15/T15			VDD-45		VDD+0.3		
Input/Output voltage	VIO(1)	•Port 1 •Ports 70,71,72,73 •Ports 84,85,86,87 •Ports 0, 3 at CMOS output option			-0.3		VDD+0.3		
	VIO(2)	Ports 0, 3 at N-ch open drain output option			-0.3		15		
	VIO(3)	S16 to S51			VDD-45		VDD+0.3		
High level output current	Peak output current	IOPH(1)	Ports 0, 1, 3	•CMOS output •At each pins		-10		mA	
		IOPH(2)	S0/T0 to S15/T15	At each pins		-30			
		IOPH(3)	S16 to S51	At each pins		-15			
	Total output current	ΣIOAH(1)	Port 0	The total of all pins		-30			
		ΣIOAH(2)	Ports 1, 3	The total of all pins		-30			
		ΣIOAH(3)	S0/T0 to S15/T15	The total of all pins		-55			
		ΣIOAH(4)	S16 to S27	The total of all pins		-60			
ΣIOAH(5)	S28to S39	The total of all pins		-60					
ΣIOAH(6)	S40 to S51	The total of all pins		-60					
Low level output current	Peak output current	IOPL(1)	Ports 0,1,3	At each pins			20		
		IOPL(2)	•Ports 70,71,72,73 •Ports 84,85,86,87	At each pins			15		
	Total output current	ΣIOAL(1)	Port 0	The total of all pins				60	
		ΣIOAL(2)	Ports 1,3,70	The total of all pins				50	
ΣIOAL(3)	•Ports 71,72,73 •Ports 84,85,86,87	The total of all pins					20		
Maximum power dissipation	Pdmax	QFC100S	Ta=+10 to+40°C				500	mW	
Operating temperature range	Topr				+10		+40	°C	
Storage temperature range	Tstg				-55		+125		

LC86E6548

2. Recommended Operating Range at Ta=+10°C to +40°C, VSS1=VSS2=0V

Parameter	Symbol	Pins	Conditions	Ratings			unit	
				VDD[V]	min.	typ.		max.
Operating Supply voltage	VDD(1)	VDD1=VDD2 =VVDD3=VDD4	0.98μs ≤ tCYC tCYC ≤ 400μs		4.5		6.0	V
Hold voltage	VHD	VDD1=VDD2	RAMs and the registers hold voltage at HOLD mode.		2.0		6.0	
Pull-down Voltage	VP	VP		4.5 to 6.0	-35		VDD	
Input high voltage	VIH(1)	Port 0 at CMOS output	Output disable	4.5 to 6.0	0.33VDD +1.0		VDD	
	VIH(2)	Port 0 at N-ch open drain output	Output disable	4.5 to 6.0	0.75VDD		13.5	
	VIH(3)	•Port 1 •Ports 72,73 •Port 3 at CMOS output	Output disable	4.5 to 6.0	0.75VDD		VDD	
	VIH(4)	•Port 3 at N-ch open drain output	Output disable Tr. OFF	4.5 to 6.0	0.75VDD		13.5	
	VIH(5)	•Port 70 Port input/interrupt •Port 71 •RES	Output disable	4.5 to 6.0	0.75VDD		VDD	
	VIH(6)	Port 70 Watchdog timer	Output disable	4.5 to 6.0	0.9VDD		VDD	
	VIH(7)	•Port 8 •Ports $\overline{74}, 75$	Output disable	4.5 to 6.0	0.75VDD		VDD	
	VIH(8)	S16 to S51	Output P-channel Tr. OFF	4.5 to 6.0	0.33VDD +1.0		VDD	
Input low voltage	VIL(1)	Port 0 at CMOS output option	Output disable	4.5 to 6.0	VSS		0.2VDD	
	VIL(2)	Port 0 at N-ch open drain output	Output disable	4.5 to 6.0	VSS		0.25VDD	
	VIL(3)	•Ports 1,3 •Ports 72,73	Output disable	4.5 to 6.0	VSS		0.25VDD	
	VIL(4)	•Port 70 Port input/interrupt •Port 71 •RES	Output disable	4.5 to 6.0	VSS		0.25VDD	
	VIL(5)	Port 70 Watchdog timer	Output disable	4.5 to 6.0	VSS		0.8VDD -1.0	
	VIL(6)	•Port 8 •Ports $\overline{74}, 75$	Output disable	4.5 to 6.0	VSS		0.25VDD	
	VIL(7)	S16 to S51	Output P-channel Tr. OFF	4.5 to 6.0	VP		0.2VDD	
Operation cycle time	tCYC			4.5 to 6.0	0.98		400	μs

Continue.

**LC86E6548**

Parameter	Symbol	Pins	Conditions	Ratings			unit	
				VDD[V]	min.	typ.		max.
Oscillation frequency range (Note 1)	FmCF(1)	CF1, CF2	•6MHz (ceramic resonator oscillation) •Refer to figure 1	4.5 to 6.0		6		MHz
	FmCF(2)	CF1, CF2	•3MHz (ceramic resonator oscillation) •Refer to figure 1	4.5 to 6.0		3		
	FmRC		RC oscillation	4.5 to 6.0	0.3	0.8	3.0	
	FsXtal	XT1, XT2	•32.768kHz (crystal oscillation) •Refer to figure 2	4.5 to 6.0		32.768		kHz
Oscillation stabilizing time period (Note 1)	tmsCF(1)	CF1, CF2	•6MHz (ceramic resonator oscillation) •Refer to figure 3	4.5 to 6.0				ms
	tmsCF(2)	CF1, CF2	•3MHz (ceramic resonator oscillation) •Refer to figure 3	4.5 to 6.0				
	tssXtal	XT1, XT2	•32.768kHz (crystal oscillation) •Refer to figure 3	4.5 to 6.0				s

(Note 1) The oscillation constant is shown on table 1.

LC86E6548

3. Electrical Characteristics at Ta=+10°C to +40°C, VSS1=VSS2=0V

Parameter	Symbol	Pins	Conditions	Ratings			unit	
				VDD[V]	min.	typ.		max.
Input high current	I <sub>IH</sub> (1)	Ports 0,3 at open drain output	•Output disable •VIN=13.5V (including off-leakage current of the output Tr.)	4.5 to 6.0			5	μA
	I <sub>IH</sub> (2)	•Ports 1,3 •Port 0 without pull-up MOS Tr.	•Output disable •Pull-up MOS Tr. OFF. •VIN=VDD (including off-leakage current of the output Tr.)	4.5 to 6.0			1	
	I <sub>IH</sub> (3)	•Ports 70,71,72,73 •Port 8	•Output disable •VIN=VDD (including off-leakage current of the output Tr.)	4.5 to 6.0			1	
	I <sub>IH</sub> (4)	$\overline{\text{RES}}$	VIN=VDD	4.5 to 6.0			1	
	I <sub>IH</sub> (5)	Ports $\overline{74}$ ,75	VIN=VDD	4.5 to 6.0			1	
	I <sub>IH</sub> (6)	•S32 to S51 without pull-down resistor	•Output P-channel Tr. OFF. •VIN=VDD	4.5 to 6.0			1	
Input low current	I <sub>IL</sub> (1)	•Ports 1,3 •Port 0 without pull-up MOS Tr.	•Output disable •Pull-up MOS Tr. OFF. •VIN=VSS (including off-leakage current of the output Tr.)	4.5 to 6.0	-1			V
	I <sub>IL</sub> (2)	•Ports 70,71,72,73 •Port 8	•Output disable •VIN=VSS (including off-leakage current of the output Tr.)	4.5 to 6.0	-1			
	I <sub>IL</sub> (3)	$\overline{\text{RES}}$	VIN=VSS	4.5 to 6.0	-1			
	I <sub>IL</sub> (4)	Ports $\overline{74}$ ,75	VIN=VSS	4.5 to 6.0	-1			
Output high voltage	V <sub>OH</sub> (1)	Ports 0,1,3 of CMOS output	IOH=-1.0mA	4.5 to 6.0	VDD-1			V
	V <sub>OH</sub> (2)		IOH=-0.1mA	4.5 to 6.0	VDD-0.5			
	V <sub>OH</sub> (3)	S0/T0 to S15/T15	IOH=-20mA	4.5 to 6.0	VDD-1.8			
	V <sub>OH</sub> (4)		•IOH=-1.0mA •The current of any unmeasurement pin is not over 1mA.	4.5 to 6.0	VDD-1			
	V <sub>OH</sub> (5)	S16 to S51	IOH=-5mA	4.5 to 6.0	VDD-1.8			
	V <sub>OH</sub> (6)		•IOH=-1.0mA •The current of any unmeasurement pins is not over 1mA.	4.5 to 6.0	VDD-1			
Output low voltage	V <sub>OL</sub> (1)	Ports 0,1,3	IOL=10mA	4.5 to 6.0			1.5	kΩ
	V <sub>OL</sub> (2)		IOL=1.6mA	4.5 to 6.0			0.4	
	V <sub>OL</sub> (3)	Port 70	IOL=1mA	4.5 to 6.0			0.4	
	V <sub>OL</sub> (4)	•Ports 71,72,73 •Ports 84,85,86,87	IOL=1.6mA	4.5 to 6.0			0.4	
Pull-up MOS Tr. resistor	R <sub>pu</sub>	Ports 0,1,3	V <sub>OH</sub> =0.9VDD	4.5 to 6.0	15	40	70	kΩ

Continue.

LC86E6548

Parameter	Symbol	Pins	Conditions	Ratings			unit
				VDD[V]	min.	typ.	
Output off-leakage current	IOFF(1)	•S0/T0 to S6/T6 •S32 to S51 (without pull-down resistor)	•Output P-channel Tr. OFF •VOUT=VSS	4.5 to 6.0	-1		μA
	IOFF(2)		•Output P-channel Tr. OFF •VOUT=VDD-40V	4.5 to 6.0	-30		
Resistance of The low level Hold Tr.	Rinpd	S16 to S51	•Output P-channel Tr. OFF •Using as input ports	4.5 to 6.0		200	kΩ
High voltage Pull-down resistor	Rpd	•S7/T7 to S15/T15 •S16 to S31	•Output P-channel Tr. OFF •VOUT=3V •Vp=-30V	5.0	60	100	200
VP pull-down resistor	Rvppd	Vp	•VSS=GND •Vp=-30V	5.0	60	100	200
Hysteresis voltage	VHIS	•Port 1 •Ports 70,71,72,73,75 •RES	Output disable	4.5 to 6.0		0.1VDD	V
Pin capacitance	CP	All pins	•f=1MHz •VIN=VSS for all unmeasured terminals. •Ta=25°C	4.5 to 6.0		10	pF

4. Serial Input / Output Characteristics at Ta=+10°C to +40°C, VSS1=VSS2=0V

Parameter	Symbol	Pins	Conditions	Ratings			unit		
				VDD[V]	min.	typ.		max.	
Serial clock	Input clock	Cycle	tCKCY(1)	SCK0,SCK1	Refer to figure 5	4.5 to 6.0	2		tCYC
		Low Level pulse width	tCKL(1)				1		
		High Level pulse width	tCKH(1)				1		
	Output clock	Cycle	tCKCY(2)	SCK0,SCK1	•Use pull-up resistor (1kΩ) in the open drain output. •Refer to figure 5	4.5 to 6.0	2		
		Low Level pulse width	tCKL(2)					1/2tCKCY	
		High Level pulse width	tCKH(2)					1/2tCKCY	
Serial input	Data set-up time	tICK	•SI0,SI1 •SB0,SB1	•Data set-up to SCK0,1 •Data hold from SCK0,1 •Refer to figure 5	4.5 to 6.0	0.1		μs	
	Data hold time	tCKI				0.1			
Serial output	Output delay time (External clock using for serial transfer clock)	tCKO(1)	•SO0,SO1 •SB0,SB1	•Use pull-up resistor (1kΩ) in the open drain output. •Data hold from SCK0,1 •Refer to figure 5	4.5 to 6.0			7/12 tCYC +0.2	
	Output delay time (Internal clock using for serial transfer clock)	tCKO(2)						1/3 tCYC +0.2	

5. Pulse Input Conditions at Ta=+10°C to +40°C, VSS1=VSS2=0V

Parameter	Symbol	Pins	Conditions	Ratings			unit
				VDD[V]	min.	typ.	
High/low level pulse width	tPIH(1)	•INT0, INT1 •INT2/T0IN	•Interrupt acceptable •Timer0-countable	4.5 to 6.0	1		tCYC
	tPIL(1)						
	tPIH(2)	INT3/T0IN (The noise rejection clock selected to 1/1.)	•Interrupt acceptable •Timer0-countable	4.5 to 6.0	2		
	tPIL(2)						
	tPIH(3)	INT3/T0IN (The noise rejection clock selected to 1/16.)	•Interrupt acceptable •Timer0-countable	4.5 to 6.0	32		
	tPIL(3)						
tPIH(4)	INT3/T0IN (The noise rejection clock selected to 1/64.)	•Interrupt acceptable •Timer0-countable	4.5 to 6.0	128			
tPIL(4)							
tPIL(5)	RES	Reset acceptable	4.5 to 6.0	200		μs	

6. AD Converter Characteristics at Ta=+10°C to + 40°C, VSS1=VSS2=0V

Parameter	Symbol	Pins	Conditions	Ratings			unit
				VDD[V]	min.	typ.	
Resolution	N			4.5 to 6.0		8	bit
Absolute precision (Note 2)	ET			4.5 to 6.0		±1.5	LSB
Conversion time	tCAD		AD conversion time = 16 × tCYC (ADCR2=0) (Note 3)	4.5 to 6.0	15.68 (tCYC= 0.98μs)	65.28 (tCYC= 4.08μs)	μs
			AD conversion time = 32 × tCYC (ADCR2=1) (Note 3)				
Analog input voltage range	VAIN	AN0 to AN7		4.5 to 6.0	VSS	VDD	V
Analog port input current	IAINH		VAIN=VDD	4.5 to 6.0		1	μA
	IAINL		VAIN=VSS	4.5 to 6.0	-1		

(Note 2) Absolute precision excepts the quantizing error (±1/2 LSB).

(Note 3) The conversion time means the time from executing the AD conversion instruction to setting the complete digital conversion value to the register.

**LC86E6548**

7. Current Dissipation Characteristics at Ta=+10°C to +40°C, VSS1=VSS2=0V

Parameter	Symbol	Pins	Conditions	Ratings			unit	
				VDD[V]	min.	typ.		max.
Current dissipation during basic operation (Note 4)	IDDOP(1)		<ul style="list-style-type: none"> <li>•FmCF=6MHz Ceramic resonator oscillation</li> <li>•FsXtal=32.768kHz crystal oscillation</li> <li>•System clock : CF oscillation</li> <li>•Internal RC oscillation stops</li> <li>•1/1 divided</li> </ul>	4.5 to 6.0		14	33	mA
	IDDOP(2)		<ul style="list-style-type: none"> <li>•FmCF=3MHz Ceramic resonator oscillation</li> <li>•FsXtal=32.768kHz crystal oscillation</li> <li>•System clock : CF oscillation</li> <li>•Internal RC oscillation stops</li> <li>•1/2 divided</li> </ul>	4.5 to 6.0		6	18	
	IDDOP(3)		<ul style="list-style-type: none"> <li>•FmCF=0Hz (The oscillation stops)</li> <li>•FsXtal=32.768kHz crystal oscillation</li> <li>•System clock : RC oscillation</li> <li>•1/2 divided</li> </ul>	4.5 to 6.0		4	13	
	IDDOP(4)		<ul style="list-style-type: none"> <li>•FmCF=0Hz (The oscillation stops)</li> <li>•FsXtal=32.768kHz crystal oscillation</li> <li>•System clock : 32.768kHz</li> <li>•Internal RC oscillation stops</li> <li>•1/2 divided</li> </ul>	4.5 to 6.0		3	10	

Continue.



LC86E6548

Parameter	Symbol	Pins	Conditions	Ratings			unit	
				VDD[V]	min.	typ.		max.
Current dissipation in HALT mode (Note 4)	IDDHALT(1)		<ul style="list-style-type: none"> <li>•HALT mode</li> <li>•FmCF=6MHz Ceramic resonator oscillation</li> <li>•FsXtal=32.768kHz crystal oscillation</li> <li>•System clock : CF oscillation</li> <li>•Internal RC oscillation stops</li> <li>•1/1 divided</li> </ul>	4.5 to 6.0		5	14	mA
	IDDHALT(2)		<ul style="list-style-type: none"> <li>•HALT mode</li> <li>•FmCF=3MHz Ceramic resonator oscillation</li> <li>•FsXtal=32.768kHz crystal oscillation</li> <li>•System clock : CF oscillation</li> <li>•Internal RC oscillation stops</li> <li>•1/2 divided</li> </ul>	4.5 to 6.0		2.2	7	
	IDDHALT(3)		<ul style="list-style-type: none"> <li>•HALT mode FmCF=0Hz (The oscillation stops)</li> <li>•FsXtal=32.768kHz crystal oscillation</li> <li>•System clock : RC oscillation</li> <li>•1/2 divided</li> </ul>	4.5 to 6.0		400	1600	μA
	IDDHALT(4)		<ul style="list-style-type: none"> <li>•HALT mode FmCF=0Hz (The oscillation stops)</li> <li>•FsXtal=32.768kHz crystal oscillation</li> <li>•System clock : crystal oscillation</li> <li>•Internal RC oscillation stops</li> <li>•1/2 divided</li> </ul>	4.5 to 6.0		25	100	
Current dissipation in HOLD mode (Note 4)	IDDHOLD(1)		HOLD mode	4.5 to 6.0		0.05	30	

(Note 4) The currents of the output transistors and the pull-up MOS transistors are ignored.

Table 1. Ceramic resonator oscillation recommended constant (main-clock)

Oscillation type	Maker	Oscillator	C1	C2
6MHz ceramic resonator oscillation	Murata			
	Kyocera			
3MHz ceramic resonator oscillation	Murata			
	Kyocera			

\* Both C1 and C2 must be use K rank ( $\pm 10\%$ ) and SL characteristics.

Table 2. Crystal oscillation guaranteed constant (sub-clock)

Oscillation type	Maker	Oscillator	C3	C4	Rd	Rf
32.768kHz crystal oscillation						

\* Both C3 and C4 must be use J rank ( $\pm 5\%$ ) and CH characteristics.  
 (Not in need of high precision, use K rank ( $\pm 10\%$ ) and SL characteristics.)

- (Notes)
- Please place the oscillation-related parts as close to the oscillation pins as possible with the shortest possible pattern length since the circuit pattern affects the oscillation frequency.
  - If you use other oscillators herein, we provide no guarantee for the characteristics.

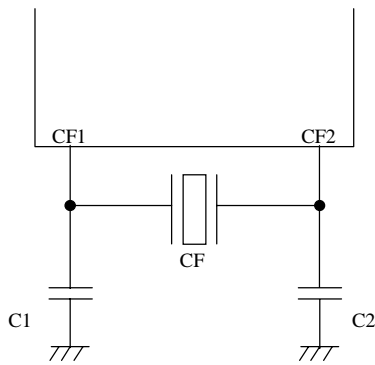


Figure 1 Main-clock circuit  
Ceramic resonator oscillation

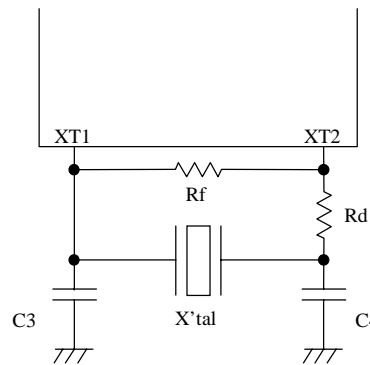


Figure 2 Sub-clock circuit  
Crystal oscillation

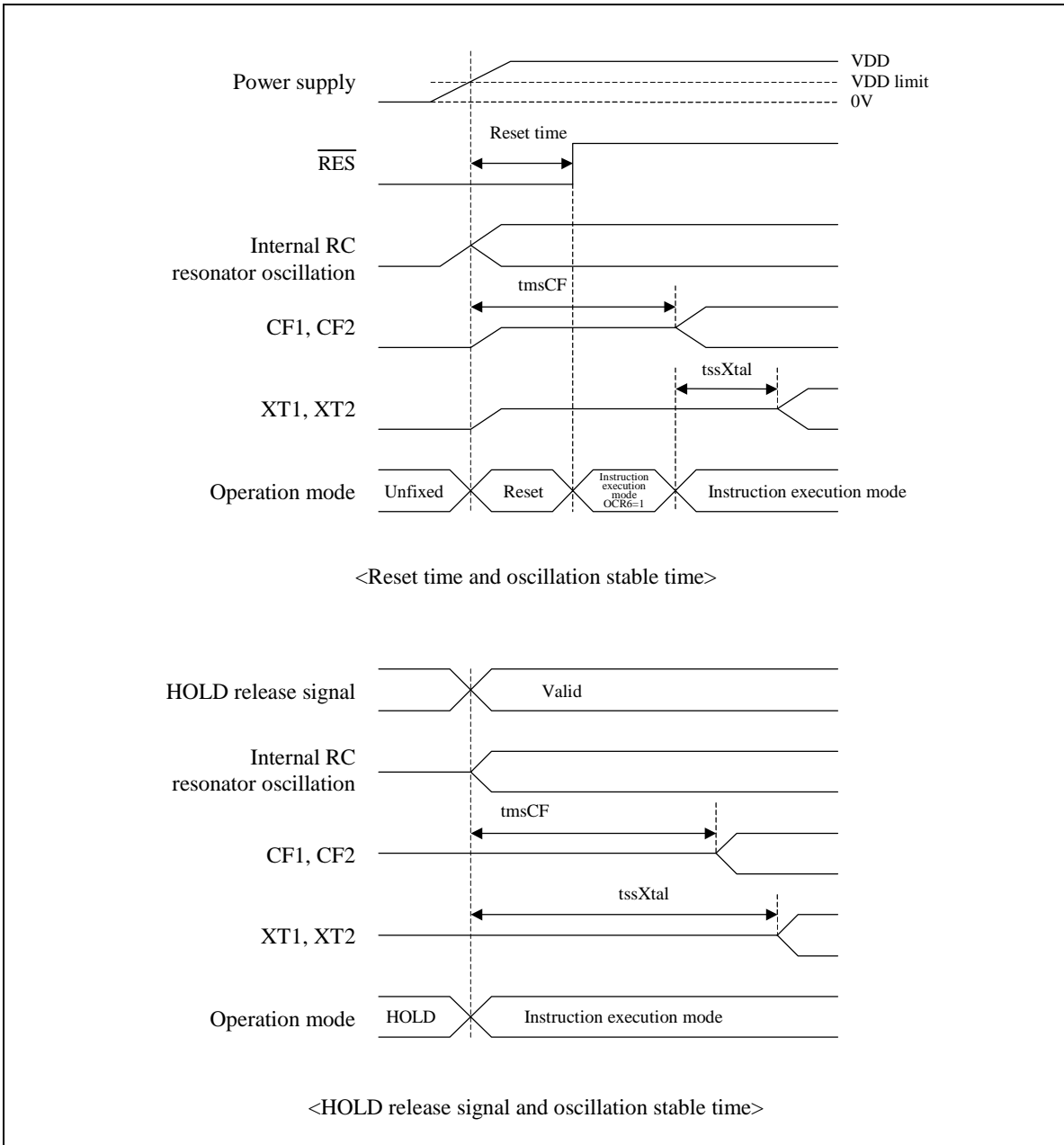
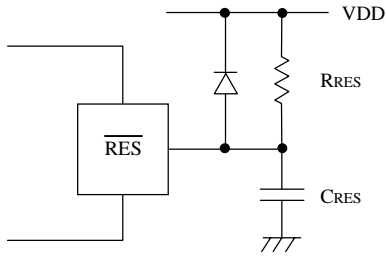


Figure 3 Oscillation stable time



(Note) Fix the value of CRES, RRES that is sure to reset until 200 $\mu$ s, after Power supply has been over inferior limit of supply voltage.

Figure 4 Reset circuit

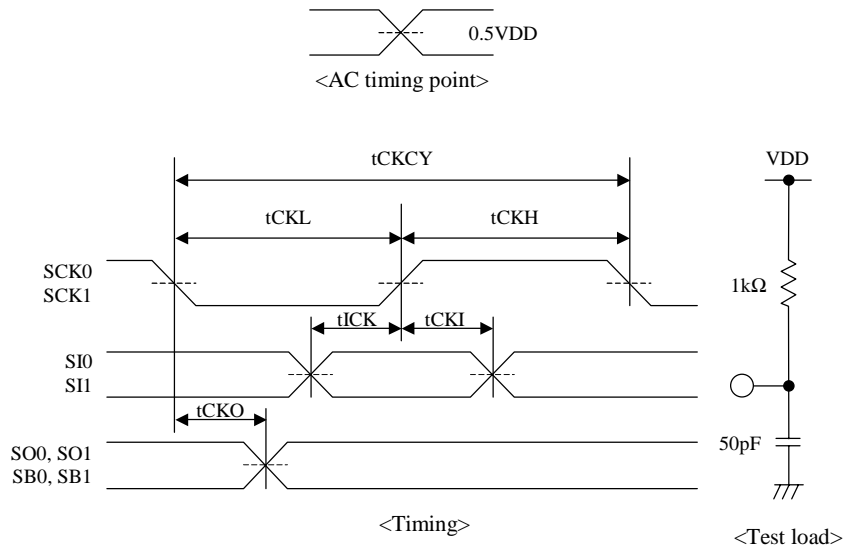


Figure 5 Serial input / output test condition

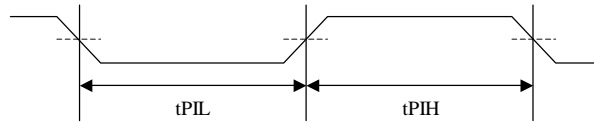


Figure 6 Pulse input timing conditionv

- Specifications of any and all SANYO products described or contained herein stipulate the performance, characteristics, and functions of the described products in the independent state, and are not guarantees of the performance, characteristics, and functions of the described products as mounted in the customer's products or equipment. To verify symptoms and states that cannot be evaluated in an independent device, the customer should always evaluate and test devices mounted in the customer's products or equipment.
- SANYO Electric Co., Ltd. strives to supply high-quality high-reliability products. However, any and all semiconductor products fail with some probability. It is possible that these probabilistic failures could give rise to accidents or events that could endanger human lives, that could give rise to smoke or fire, or that could cause damage to other property. When designing equipment, adopt safety measures so that these kinds of accidents or events cannot occur. Such measures include but are not limited to protective circuits and error prevention circuits for safe design, redundant design, and structural design.
- In the event that any or all SANYO products (including technical data, services) described or contained herein are controlled under any of applicable local export control laws and regulations, such products must not be exported without obtaining the export license from the authorities concerned in accordance with the above law.
- No part of this publication may be reproduced or transmitted in any form or by any means, electronic or mechanical, including photocopying and recording, or any information storage or retrieval system, or otherwise, without the prior written permission of SANYO Electric Co., Ltd.
- Any and all information described or contained herein are subject to change without notice due to product/technology improvement, etc. When designing equipment, refer to the "Delivery Specification" for the SANYO product that you intend to use.
- Information (including circuit diagrams and circuit parameters) herein is for example only ; it is not guaranteed for volume production. SANYO believes information herein is accurate and reliable, but no guarantees are made or implied regarding its use or any infringements of intellectual property rights or other rights of third parties.

This catalog provides information as of September, 2000. Specifications and information herein are subject to change without notice.