

# HD66750/1

(128 x 128-dot Graphics LCD Controller/Driver with  
Four-grayscale Functions)

# HITACHI

Rev 0.7  
July 26th, 1999

---

## Description

The HD66750/1, dot-matrix graphics LCD controller and driver LSI, displays 128-by-128-dot graphics for four monochrome grayscales. Since the HD66750/1 incorporates bit-operation functions and a 16-bit high-speed bus interface, it enables efficient data transfer and high-speed rewriting of data in the graphics RAM. The following functions allow the user to easily see a variety of information: a smooth scroll display function that fixed-displays a part of the graphics icons and perform vertical smooth scrolling of the remaining bit-map areas, a double-height display function, and a hardware-supported window cursor display function.

The HD66750/1 has various functions to reduce the power consumption of an LCD system such as low-voltage operation of 1.8 V min., a booster to generate maximum seven-times LCD drive voltage from the supplied voltage, and voltage-followers to decrease the direct current flow in the LCD drive bleeder-resistors. Combining these hardware functions with software functions, such as a partial display with low-duty drive and standby and sleep modes, allows precise power control. The HD66750/1 is suitable for any mid-sized or small portable battery-driven product requiring long-term driving capabilities, such as digital cellular phones supporting a WWW browser, bidirectional pagers, and small PDAs.

## Features

- 128 × 128-dot graphics display LCD controller/driver for four monochrome grayscales
- Fixed display of graphics icons (pictograms)
- 16-/8-bit high-speed bus interface capability
- Bit-operation functions for graphics processing incorporated:
  - Write-data mask function in bit units
  - Bit rotation function
  - Bit logic-operation function
- Low-power operation support:
  - $V_{CC} = 1.8$  to 3.6 V (low voltage)
  - $V_{LCD} = 5$  to 15.5 V (liquid crystal drive voltage)
  - Two-, five-, six-, or seven-times booster for liquid crystal drive voltage
  - 64-step contrast adjuster and voltage followers to decrease direct current flow in the LCD drive bleeder-resistors

## HD66750/1

- Power-save functions such as the standby mode and sleep mode supported
- Programmable drive duty ratios and bias values displayed on LCD
- 128-segment × 128-common liquid crystal display driver
- n-raster-row AC liquid-crystal drive (C-pattern waveform drive)
- Duty ratio and drive bias (selectable by program)
- Window cursor display supported by hardware
- Vertical smooth scroll
- Partial smooth scroll control (fixed display of graphics icons)
- Vertical double-height display by each display raster-row
- Black-and-white reversed display
- No wait time for instruction execution and RAM access
- Internal oscillation and hardware reset
- Shift change of segment and common driver

**Table 1 Programmable Display Sizes and Duty Ratios**

Duty Ratio	Optimum Drive Bias	Bit-map Display Area	Graphics Display				
			12 x 12-dot Font Width	12 x 13-dot Font Width	14 x 15-dot Font Width	16 x 16-dot Font Width	8 x 10-dot Font Width
1/16	1/5	128 x 16 dots	1 line x 10 characters	1 line x 10 characters	1 line x 9 characters	1 line x 8 characters	1 line x 16 characters
1/24	1/6	128 x 24 dots	2 lines x 10 characters	1 line x 10 characters	1 line x 9 characters	1 line x 8 characters	2 lines x 16 characters
1/32	1/6	128 x 32 dots	2 lines x 10 characters	2 lines x 10 characters	2 lines x 9 characters	2 lines x 8 characters	3 lines x 16 characters
1/72	1/9	128 x 72 dots	6 lines x 10 characters	5 lines x 10 characters	4 lines x 9 characters	4 lines x 8 characters	7 lines x 16 characters
1/80	1/10	128 x 80 dots	6 lines x 10 characters	6 lines x 10 characters	5 lines x 9 characters	5 lines x 8 characters	8 lines x 16 characters
1/88	1/10	128 x 88 dots	7 lines x 10 characters	6 lines x 10 characters	5 lines x 9 characters	5 lines x 8 characters	8 lines x 16 characters
1/96	1/10	128 x 96 dots	8 lines x 10 characters	7 lines x 10 characters	6 lines x 9 characters	6 lines x 8 characters	9 lines x 16 characters
1/104	1/11	128 x 104 dots	8 lines x 10 characters	8 lines x 10 characters	6 lines x 9 characters	6 lines x 8 characters	10 lines x 16 characters
1/112	1/11	128 x 112 dots	9 lines x 10 characters	8 lines x 10 characters	7 lines x 9 characters	7 lines x 8 characters	11 lines x 16 characters
1/120	1/11	128 x 120 dots	10 lines x 10 characters	9 lines x 10 characters	8 lines x 9 characters	7 lines x 8 characters	12 lines x 16 characters
1/128	1/11	128 x 128 dots	10 lines x 10 characters	9 lines x 10 characters	8 lines x 9 characters	8 lines x 8 characters	12 lines x 16 characters

<Target values>

**Total Current Consumption Characteristics (V<sub>cc</sub> = 3 V, TYP Conditions, LCD Drive Power Current Included)**

Character Display Dot Size	Duty Ratio	R-C Oscillation Frequency	Frame Frequency	Total Power Consumption				
				Internal Logic	LCD Power	Total*	Sleep Mode	Standby Mode
128 x 16 dots	1/16	70 kHz	72 Hz	(15 μA)	(15 μA)	Two-times (45 μA)	(10 μA)	0.1 μA
128 x 24 dots	1/24	70 kHz	72 Hz	(15 μA)	(15 μA)	Two-times (45 μA)	(10 μA)	
128 x 32 dots	1/32	70 kHz	72 Hz	(15 μA)	(15 μA)	Two-times (45 μA)	(10 μA)	
128 x 72 dots	1/72	70 kHz	71 Hz	(40 μA)	(18 μA)	Five-times (130 μA)	(10 μA)	
128 x 80 dots	1/80	70 kHz	73 Hz	(40 μA)	(18 μA)	Five-times (130 μA)	(10 μA)	
128 x 88 dots	1/88	70 kHz	74 Hz	(45 μA)	(18 μA)	Five-times (135 μA)	(10 μA)	
128 x 96 dots	1/96	70 kHz	74 Hz	(45 μA)	(20 μA)	Five-times (145 μA)	(10 μA)	
128 x 104 dots	1/104	70 kHz	73 Hz	(45 μA)	(20 μA)	Five-times (145 μA)	(10 μA)	
128 x 112 dots	1/112	70 kHz	71 Hz	(50 μA)	(25 μA)	Six-times (200 μA)	(10 μA)	
128 x 120 dots	1/120	70 kHz	76 Hz	(50 μA)	(25 μA)	Six-times (200 μA)	(10 μA)	
128 x 128 dots	1/128	70 kHz	72 Hz	(50 μA)	(25 μA)	Six-times (200 μA)	(10 μA)	

Note: When a two-, five-, six-, or seven-times booster is used:  
the total power consumption = internal logic current + LCD power current x 2 (two-times booster),  
the total power consumption = internal logic current + LCD power current x 5 (five-times booster),  
the total power consumption = internal logic current + LCD power current x 6 (six-times booster), and  
the total power consumption = internal logic current + LCD power current x 7 (seven-times booster)

**Type Name**

Types	External Dimensions	COM Driver Arrangement	Display
HD66750TB0	Bending TCP	Both sides of COM (Output from left and right sides of the chip)	Four monochrome grayscales
HCD66750BP	Au-bump chip		
HD66751TB0	Bending TCP	One side of COM	
HCD66751BP	Au-bump chip	(Output from one side of the chip)	

# HD66750/1

## LCD Family Comparison

Items	HD66705U	HD66717	HD66727
Character display sizes	12 characters x 2 lines	12 characters x 4 lines	12 characters x 4 lines
Graphic display sizes	—	—	—
Grayscale display	—	—	—
Multiplexing icons	40	40	40
Annunciator	Static: 10	Static: 10	Static: 12
Key scan control	—	—	4 x 8
LED control ports	—	—	3
General output ports	—	—	3
Operating power voltages	2.4 V to 5.5 V	2.4 V to 5.5 V	2.4 V to 5.5 V
Liquid crystal drive voltages	3 V to 9 V	3 V to 13 V	3 V to 13 V
Serial bus	Clock-synchronized serial	I <sup>2</sup> C, Clock-synchronized serial	I <sup>2</sup> C, Clock-synchronized serial
Parallel bus	4 bits, 8 bits	4 bits, 8 bits	—
Liquid crystal drive duty ratios	1/10, 18	1/10, 18, 26, 34	1/10, 18, 26, 34
Liquid crystal drive biases	1/4	1/4, 1/6	1/4, 1/6
Liquid crystal drive waveforms	B	B	B
Liquid crystal voltage booster	Two- or three-times	Two- or three-times	Two- or three-times
Bleeder-resistor for liquid crystal drive	Incorporated (external)	Incorporated (external)	Incorporated (external)
Liquid crystal drive operational amplifier	Incorporated	Incorporated	Incorporated
Liquid crystal contrast adjuster	Incorporated	Incorporated	Incorporated
Horizontal smooth scroll	—	—	—
Vertical smooth scroll	Line unit	Line unit	Line unit
Double-height display	Yes	Yes	Yes
DDRAM	60 x 8	60 x 8	60 x 8
CGROM	9,600	9,600	11,520
CGRAM	32 x 5	32 x 5	32 x 6
SEGRAM	8 x 5	8 x 5	8 x 6
No. of CGROM fonts	240	240	240
No. of CGRAM fonts	4	4	4
Font sizes	5 x 8	5 x 8	5 x 8, 6 x 8
Bit map area	—	—	—
R-C oscillation resistor/ oscillation frequency	External resistor (40, 80 kHz)	External resistor (40-160 kHz)	External resistor (40-160 kHz)
Reset function	External	External	External
Low power control	Partial display off, Oscillation off, Liquid crystal power off	Partial display off, Oscillation off, Liquid crystal power off	Partial display off, Oscillation off, Liquid crystal power off, Key wake-up interrupt
SEG/COM direction switching	SEG only	SEG only	SEG, COM
QFP package	—	—	—
TQFP package	—	—	—
TCP package	TCP-153	TCP-153	TCP-158
Bare chip	Yes	Yes	Yes
Bumped chip	Yes	Yes	Yes
No. of pins	153	153	158
Chip sizes	9.69 x 2.73	10.88 x 2.89	11.39 x 2.89
Pad intervals	120 μm	120 μm	120 μm

LCD Family Comparison (cont)

Items	HD66724	HD66725	HD66726
Character display sizes	12 characters x 3 lines	16 characters x 3 lines	16 characters x 5 lines
Graphic display sizes	72 x 26 dots	96 x 26 dots	96 x 42 dots
Grayscale display	—	—	—
Multiplexing icons	144	192	192
Annunciator	1/2 duty: 144	1/2 duty: 192	1/2 duty: 192
Key scan control	8 x 4	8 x 4	8 x 4
LED control ports	—	—	—
General output ports	3	3	3
Operating power voltages	1.8 V to 5.5 V	1.8 V to 5.5 V	1.8 V to 5.5 V
Liquid crystal drive voltages	3 V to 6.5 V	3 V to 6.5 V	4.5 V to 11 V
Serial bus	Clock-synchronized serial	Clock-synchronized serial	Clock-synchronized serial
Parallel bus	4 bits, 8 bits	4 bits, 8 bits	4 bits, 8 bits
Liquid crystal drive duty ratios	1/2, 10, 18, 26	1/2, 10, 18, 26	1/2, 10, 18, 26, 34, 42
Liquid crystal drive biases	1/4 to 1/6.5	1/4 to 1/6.5	1/2 to 1/8
Liquid crystal drive waveforms	B	B	B
Liquid crystal voltage booster	Single, two-, or three-times	Single, two-, or three-times	Single, two-, three-, or four-times
Bleeder-resistor for liquid crystal drive	Incorporated (external)	Incorporated (external)	Incorporated (external)
Liquid crystal drive operational amplifier	Incorporated	Incorporated	Incorporated
Liquid crystal contrast adjuster	Incorporated	Incorporated	Incorporated
Horizontal smooth scroll	3-dot unit	3-dot unit	—
Vertical smooth scroll	Line unit	Line unit	Line unit
Double-height display	Yes	Yes	Yes
DDRAM	80 x 8	80 x 8	80 x 8
CGROM	20,736	20,736	20,736
CGRAM	384 x 8	384 x 8	480 x 8
SEGRAM	72 x 8	96 x 8	96 x 8
No. of CGROM fonts	240 + 192	240 + 192	240 + 192
No. of CGRAM fonts	64	64	64
Font sizes	6 x 8	6 x 8	6 x 8
Bit map areas	72 x 26	96 x 26	96 x 42
R-C oscillation resistor/ oscillation frequency	External resistor, incorporated (32 kHz)	External resistor, incorporated (32 kHz)	External resistor (50 kHz)
Reset function	External	External	External
Low power control	Partial display off, Oscillation off, Liquid crystal power off, Key wake-up interrupt	Partial display off, Oscillation off, Liquid crystal power off, Key wake-up interrupt	Partial display off, Oscillation off, Liquid crystal power off, Key wake-up interrupt
SEG/COM direction switching	SEG, COM	SEG, COM	SEG, COM
QFP package	—	—	—
TQFP package	—	—	—
TCP package	TCP-146	TCP-170	TCP-188
Bare chip	—	—	Yes
Bumped chip	Yes	Yes	Yes
No. of pins	146	170	188
Chip sizes	10.34 x 2.51	10.97 x 2.51	13.13 x 2.51
Pad intervals	80 μm	80 μm	100 μm

---

## HD66750/1

---

### LCD Family Comparison (cont)

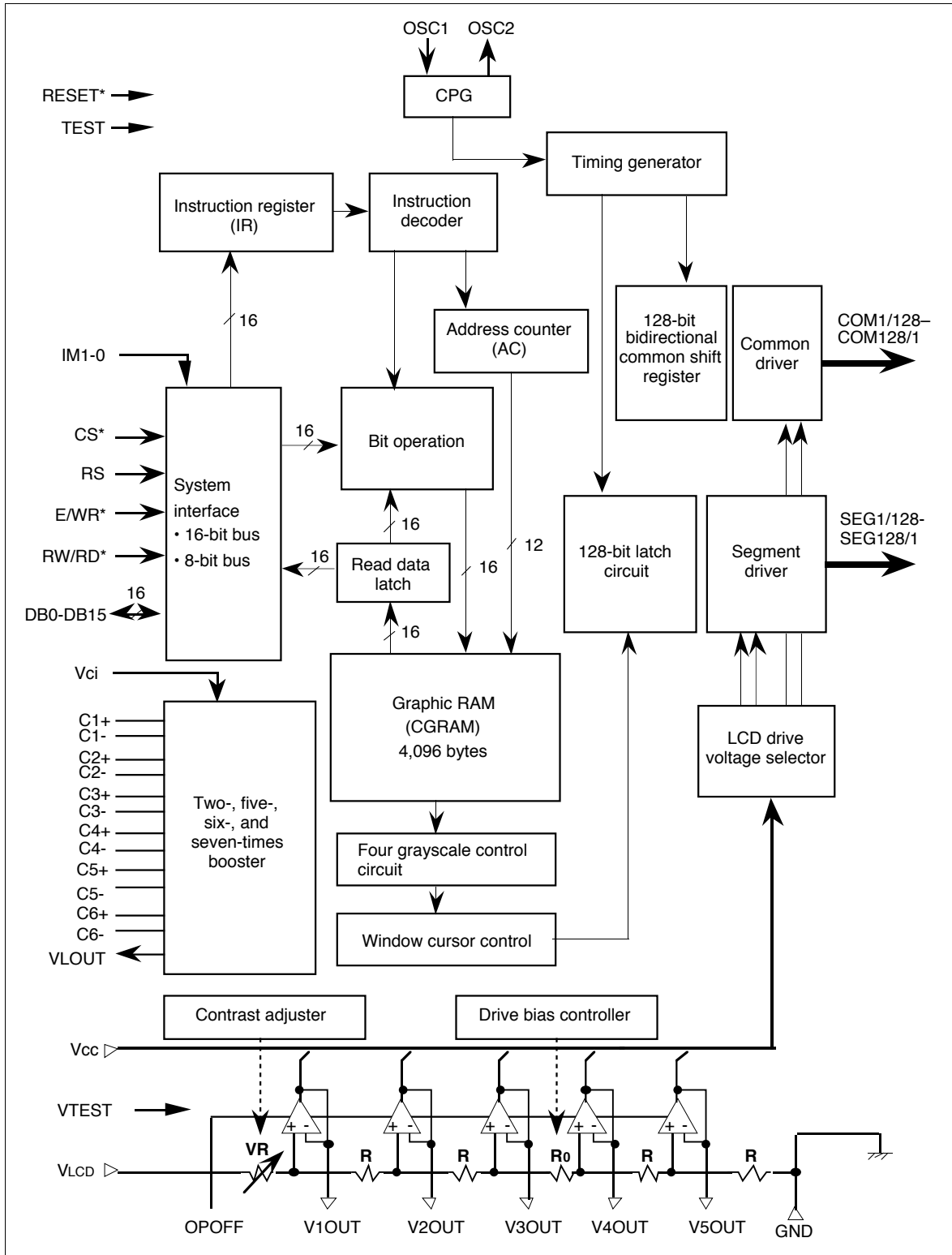
Items	HD66728	(WS available)
		HD66729
Character display sizes	16 characters x 10 lines	—
Graphic display sizes	112 x 80 dots	105 x 68 dots
Grayscale display	—	—
Multiplexing icons	—	—
Annunciator	—	—
Key scan control	8 x 4	—
LED control ports	—	—
General output ports	3	—
Operating power voltages	1.8 V to 5.5 V	1.8 V to 5.5 V
Liquid crystal drive voltages	4.5 V to 15 V	4.0 V to 13 V
Serial bus	Clock-synchronized serial	Clock-synchronized serial
Parallel bus	4 bits, 8 bits	4 bits, 8 bits
Liquid crystal drive duty ratios	1/8, 16, 24, 32, 40, 48, 56, 64, 72, 80	1/8, 16, 24, 32, 40, 48, 56, 64, 68
Liquid crystal drive biases	1/4 to 1/10	1/4 to 1/9
Liquid crystal drive waveforms	B, C	B, C
Liquid crystal voltage booster	Three-, four-, or five-times	Two-, three-, four-, or five-times
Bleeder-resistor for liquid crystal drive	Incorporated (external)	Incorporated (external)
Liquid crystal drive operational amplifier	Incorporated	Incorporated
Liquid crystal contrast adjuster	Incorporated	Incorporated
Horizontal smooth scroll	—	—
Vertical smooth scroll	Line unit	Line unit
Double-height display	Yes	Yes
DDRAM	160 x 8	—
CGROM	20,736	—
CGRAM	1,120 x 8	1,050 x 8
SEGRAM	—	—
No. of CGROM fonts	240 + 192	—
No. of CGRAM fonts	64	—
Font sizes	6 x 8	—
Bit map areas	112 x 80	105 x 68
R-C oscillation resistor/ oscillation frequency	External resistor (70–90 kHz)	External resistor (75 kHz)
Reset function	External	External
Low power control	Partial display off, Oscillation off, Liquid crystal power off, Key wake-up interrupt	Partial display off, Oscillation off, Liquid crystal power off
SEG/COM direction switching	SEG, COM	SEG, COM
QFP package	—	—
TQFP package	—	—
TCP package	TCP-243	TCP-213
Bare chip	—	—
Bumped chip	Yes	Yes
No. of pins	243	213
Chip sizes	13.67 x 2.78	12.23 x 2.52
Pad intervals	70 $\mu$ m	70 $\mu$ m

**LCD Family Comparison (cont)**

Items	HD66741	(Under development)
		HD66750/751
Character display sizes	—	—
Graphic display sizes	128 x 80 dots	128 x 128 dots
Grayscale display	—	Four monochrome grayscales
Multiplexing icons	—	—
Annunciator	—	—
Key scan control	—	—
LED control ports	—	—
General output ports	3	—
Operating power voltages	1.8 V to 5.5 V	1.8 V to 3.6 V
Liquid crystal drive voltages	4.5 V to 15 V	5 V to 15.5 V
Serial bus	Clock-synchronized serial	—
Parallel bus	4 bits, 8 bits	8 bits, 16 bits
Liquid crystal drive duty ratios	1/8, 16, 24, 32, 40, 48, 56, 64, 72, 80	1/16, 24, 72, 80, 88, 96, 104, 112, 120, 128
Liquid crystal drive biases	1/4 to 1/10	1/4 to 1/11
Liquid crystal drive waveforms	B, C	B, C
Liquid crystal voltage booster	Three-, four-, or five-times	Two-, five-, six-, or seven-times
Bleeder-resistor for liquid crystal drive	Incorporated (external)	Incorporated (external)
Liquid crystal drive operational amplifier	Incorporated	Incorporated
Liquid crystal contrast adjuster	Incorporated	Incorporated
Horizontal smooth scroll	—	—
Vertical smooth scroll	Line unit	Line unit
Double-height display	Yes	Yes
DDRAM	—	—
CGROM	—	—
CGRAM	1,280 x 8	4,096 x 8
SEGRAM	—	—
No. of CGROM fonts	—	—
No. of CGRAM fonts	—	—
Font sizes	—	—
Bit map areas	128 x 80	128 x 128
R-C oscillation resistor/ oscillation frequency	External resistor (70–90 kHz)	External resistor (70 kHz)
Reset function	External	External
Low power control	Partial display off, Oscillation off, Liquid crystal power off	Partial display off, Oscillation off, Liquid crystal power off
SEG/COM direction switching	SEG, COM	SEG, COM
QFP package	—	—
TQFP package	—	—
TCP package	TCP-254	TCP-308
Bare chip	—	—
Bumped chip	Yes	Yes
No. of pins	243	308
Chip sizes	14.30 x 2.78	10.97 x 4.13
Pad intervals	70 μm	60 μm

# HD66750/1

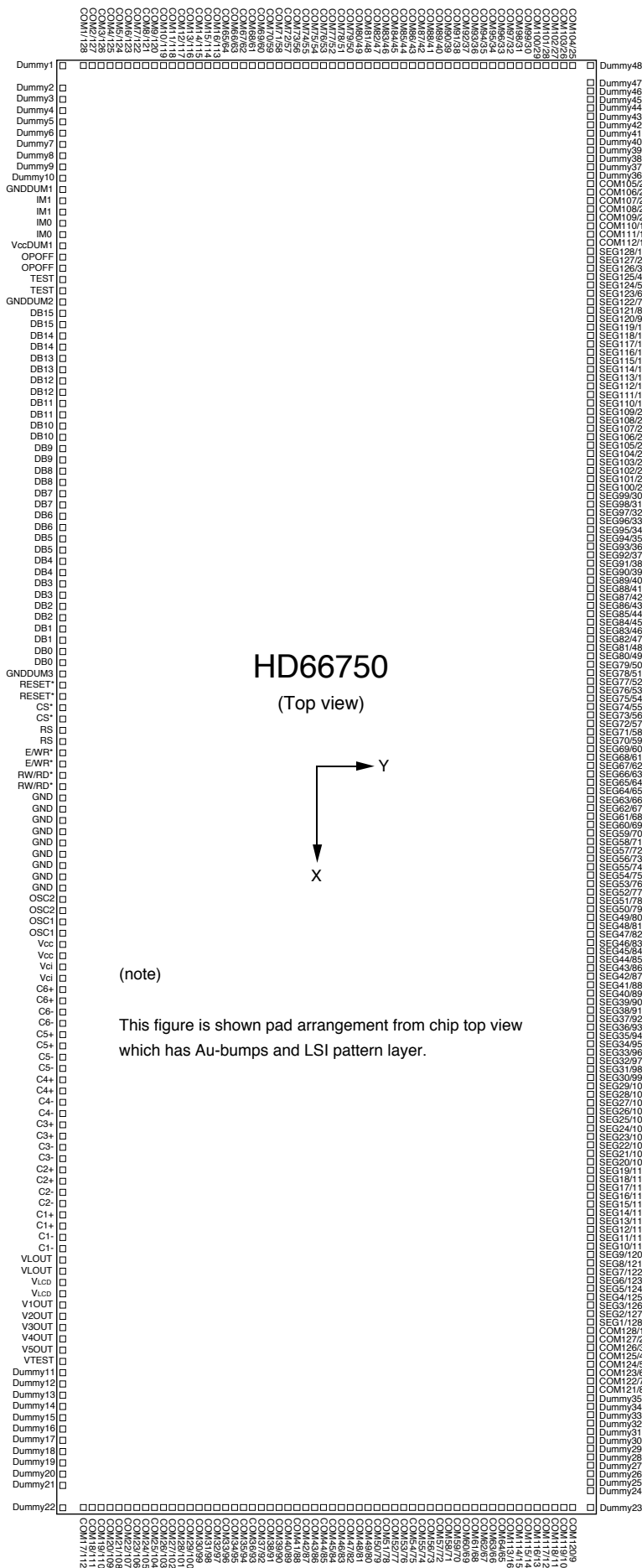
## HD66750/1 Block Diagram





HD66750 Pad Arrangement

- Chip size: 10.97 mm X 4.13 mm
- Pad coordinates: Pad center
- Coordinate origin: Chip center
- Au bump size: 40 μm x 90 μm  
Chip corner bump size : 90 μm x 90 μm  
(Dummy1, Dummy22, Dummy23 and Dummy 48)
- Au bump pitch: 60 μm (min.)
- Au bump height: 20 μm (typ.)



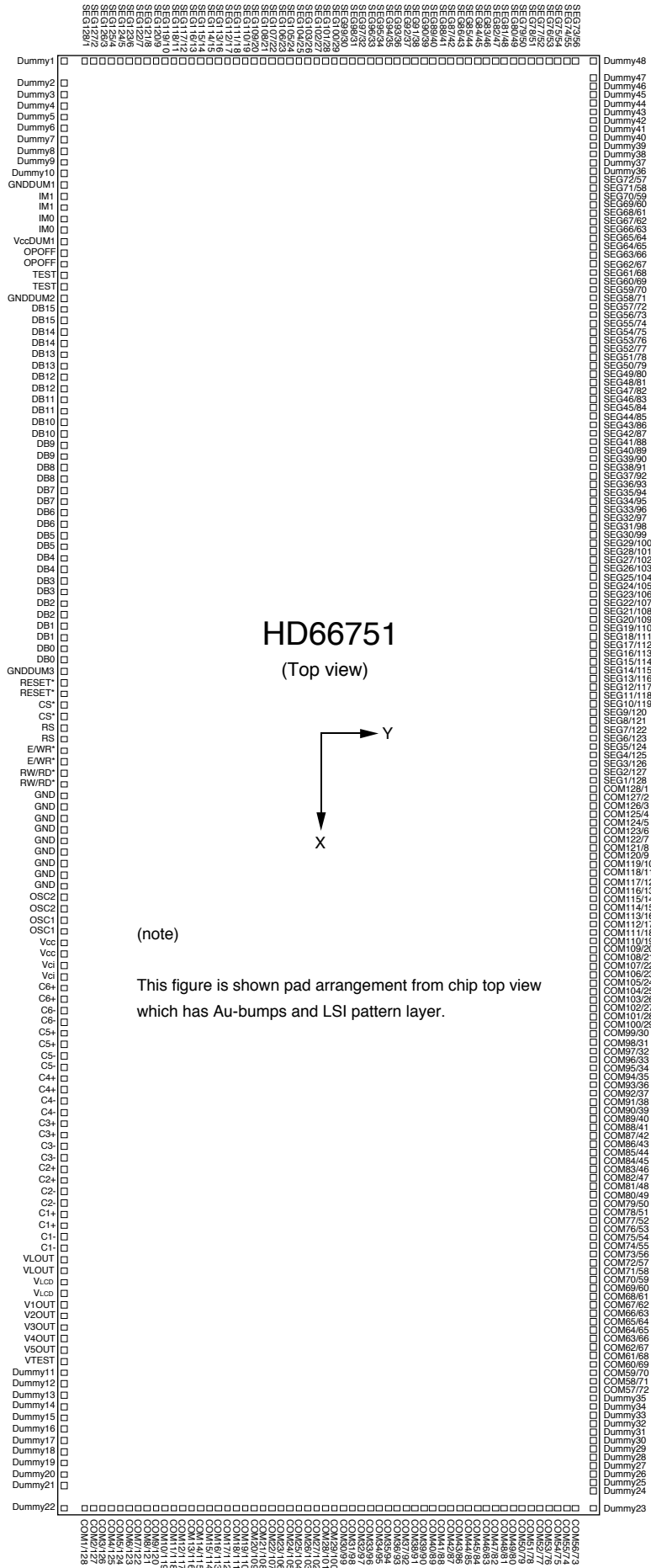
(note)

This figure is shown pad arrangement from chip top view which has Au-bumps and LSI pattern layer.

# HD66750/1

## HD66751 Pad Arrangement

- Chip size: 10.97 mm X 4.13 mm
- Pad coordinates: Pad center
- Coordinate origin: Chip center
- Au bump size: 40  $\mu\text{m}$  x 90  $\mu\text{m}$   
Chip corner bump size : 90  $\mu\text{m}$  x 90  $\mu\text{m}$   
(Dummy1, Dummy22, Dummy23 and Dummy 48)
- Au bump pitch: 60  $\mu\text{m}$  (min.)
- Au bump height: 20  $\mu\text{m}$  (typ.)



(note)  
This figure is shown pad arrangement from chip top view which has Au-bumps and LSI pattern layer.

HD66750 Pad Coordinate

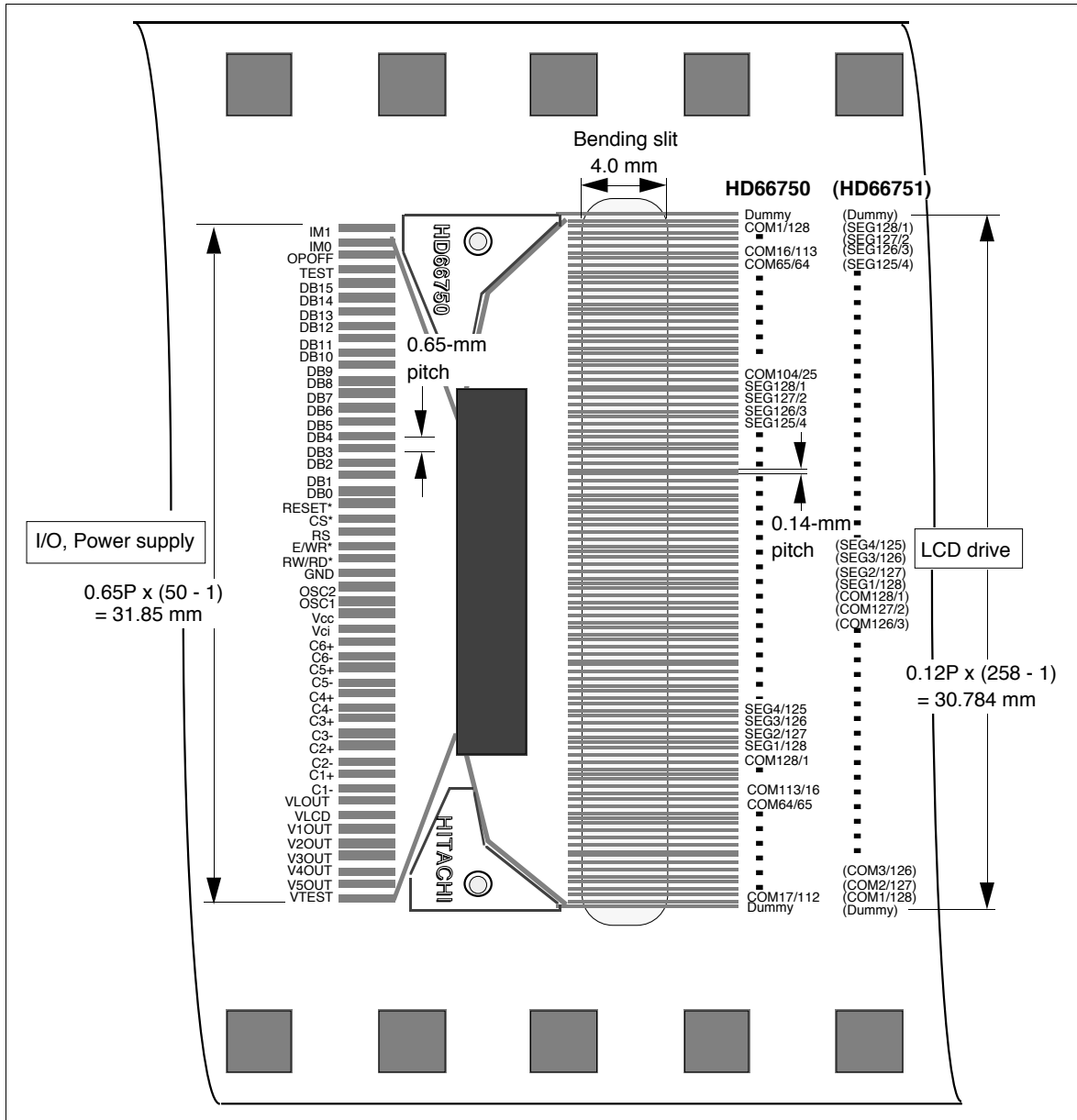
	PAD NAME	X	Y		PAD NAME	X	Y		PAD NAME	X	Y		PAD NAME	X	Y		PAD NAME	X	Y
1	Dummy1	-5269	-1895	83	C6+	1582	-1849	165	COM54/75	5269	571	247	SEG43/86	1310	1849	329	SEG125/4	-3655	1849
2	Dummy2	-5089	-1895	84	C6-	1703	-1849	166	COM55/74	5269	631	248	SEG44/85	1250	1849	330	SEG126/3	-3715	1849
3	Dummy3	-5029	-1895	85	C6-	1763	-1849	167	COM56/73	5269	691	249	SEG45/84	1190	1849	331	SEG127/2	-3775	1849
4	Dummy4	-4969	-1895	86	C5+	1883	-1849	168	COM57/72	5269	752	250	SEG46/83	1130	1849	332	SEG128/1	-3835	1849
5	Dummy5	-4909	-1895	87	C5+	1943	-1849	169	COM58/71	5269	812	251	SEG47/82	1070	1849	333	COM112/17	-3931	1849
6	Dummy6	-4848	-1895	88	C5-	2063	-1849	170	COM59/70	5269	872	252	SEG48/81	1010	1849	334	COM111/18	-3991	1849
7	Dummy7	-4788	-1895	89	C5-	2124	-1849	171	COM60/69	5269	932	253	SEG49/80	950	1849	335	COM110/19	-4051	1849
8	Dummy8	-4728	-1895	90	C4+	2244	-1849	172	COM61/68	5269	992	254	SEG50/79	890	1849	336	COM109/20	-4111	1849
9	Dummy9	-4668	-1895	91	C4+	2304	-1849	173	COM62/67	5269	1052	255	SEG51/78	830	1849	337	COM108/21	-4171	1849
10	Dummy10	-4608	-1895	92	C4-	2424	-1849	174	COM63/66	5269	1112	256	SEG52/77	770	1849	338	COM107/22	-4232	1849
11	GNDDUM1	-4454	-1895	93	C4-	2484	-1849	175	COM64/65	5269	1172	257	SEG53/76	710	1849	339	COM106/23	-4292	1849
12	IM1	-4394	-1895	94	C3+	2605	-1849	176	COM113/16	5269	1232	258	SEG54/75	650	1849	340	COM105/24	-4352	1849
13	IM1	-4334	-1895	95	C3+	2665	-1849	177	COM114/15	5269	1293	259	SEG55/74	590	1849	341	Dummy36	-4428	1895
14	IM0	-4210	-1895	96	C3-	2785	-1849	178	COM115/14	5269	1353	260	SEG56/73	530	1849	342	Dummy37	-4488	1895
15	IM0	-4150	-1895	97	C3-	2845	-1849	179	COM116/13	5269	1413	261	SEG57/72	470	1849	343	Dummy38	-4548	1895
16	VccDUM1	-4086	-1895	98	C2+	2965	-1849	180	COM117/12	5269	1473	262	SEG58/71	410	1849	344	Dummy39	-4608	1895
17	OPOFF	-4026	-1895	99	C2+	3025	-1849	181	COM118/11	5269	1533	263	SEG59/70	350	1849	345	Dummy40	-4668	1895
18	OPOFF	-3966	-1895	100	C2-	3146	-1849	182	COM119/10	5269	1593	264	SEG60/69	290	1849	346	Dummy41	-4728	1895
19	TEST	-3842	-1895	101	C2-	3206	-1849	183	COM120/9	5269	1653	265	SEG61/68	230	1849	347	Dummy42	-4788	1895
20	TEST	-3782	-1895	102	C1+	3326	-1849	184	Dummy23	5269	1895	266	SEG62/67	170	1849	348	Dummy43	-4848	1895
21	GNDDUM2	-3722	-1895	103	C1+	3386	-1849	185	Dummy24	5089	1895	267	SEG63/66	110	1849	349	Dummy44	-4909	1895
22	DB15	-3658	-1895	104	C1-	3506	-1849	186	Dummy25	5029	1895	268	SEG64/65	50	1849	350	Dummy45	-4969	1895
23	DB15	-3598	-1895	105	C1-	3566	-1849	187	Dummy26	4969	1895	269	SEG65/64	-10	1849	351	Dummy46	-5029	1895
24	DB14	-3474	-1895	106	VLOUT	3687	-1849	188	Dummy27	4909	1895	270	SEG66/63	-160	1849	352	Dummy47	-5089	1895
25	DB14	-3414	-1895	107	VLOUT	3747	-1849	189	Dummy28	4848	1895	271	SEG67/62	-220	1849	353	Dummy48	-5269	1895
26	DB13	-3290	-1895	108	VLCD	3867	-1849	190	Dummy29	4788	1895	272	SEG68/61	-280	1849	354	COM104/25	-5269	1653
27	DB13	-3230	-1895	109	VLCD	3927	-1849	191	Dummy30	4728	1895	273	SEG69/60	-340	1849	355	COM103/26	-5269	1593
28	DB12	-3106	-1895	110	V1OUT	4047	-1849	192	Dummy31	4668	1895	274	SEG70/59	-400	1849	356	COM102/27	-5269	1533
29	DB12	-3046	-1895	111	V2OUT	4108	-1849	193	Dummy32	4608	1895	275	SEG71/58	-460	1849	357	COM101/28	-5269	1473
30	DB11	-2922	-1895	112	V3OUT	4168	-1849	194	Dummy33	4548	1895	276	SEG72/57	-520	1849	358	COM100/29	-5269	1413
31	DB11	-2862	-1895	113	V4OUT	4228	-1849	195	Dummy34	4488	1895	277	SEG73/56	-580	1849	359	COM99/30	-5269	1353
32	DB10	-2738	-1895	114	V5OUT	4288	-1849	196	Dummy35	4428	1895	278	SEG74/55	-640	1849	360	COM98/31	-5269	1293
33	DB10	-2678	-1895	115	VTEST	4348	-1849	197	COM121/8	4352	1849	279	SEG75/54	-700	1849	361	COM97/32	-5269	1232
34	DB9	-2554	-1895	116	Dummy11	4488	-1895	198	COM122/7	4292	1849	280	SEG76/53	-760	1849	362	COM96/33	-5269	1172
35	DB9	-2494	-1895	117	Dummy12	4548	-1895	199	COM123/6	4232	1849	281	SEG77/52	-820	1849	363	COM95/34	-5269	1112
36	DB8	-2370	-1895	118	Dummy13	4608	-1895	200	COM124/5	4171	1849	282	SEG78/51	-880	1849	364	COM94/35	-5269	1052
37	DB8	-2310	-1895	119	Dummy14	4668	-1895	201	COM125/4	4111	1849	283	SEG79/50	-940	1849	365	COM93/36	-5269	992
38	DB7	-2186	-1895	120	Dummy15	4728	-1895	202	COM126/3	4051	1849	284	SEG80/49	-1000	1849	366	COM92/37	-5269	932
39	DB7	-2126	-1895	121	Dummy16	4788	-1895	203	COM127/2	3991	1849	285	SEG81/48	-1060	1849	367	COM91/38	-5269	872
40	DB6	-2002	-1895	122	Dummy17	4848	-1895	204	COM128/1	3931	1849	286	SEG82/47	-1120	1849	368	COM90/39	-5269	812
41	DB6	-1942	-1895	123	Dummy18	4909	-1895	205	SEG1/128	3835	1849	287	SEG83/46	-1180	1849	369	COM89/40	-5269	752
42	DB5	-1818	-1895	124	Dummy19	4969	-1895	206	SEG2/127	3775	1849	288	SEG84/45	-1240	1849	370	COM88/41	-5269	692
43	DB5	-1758	-1895	125	Dummy20	5029	-1895	207	SEG3/126	3715	1849	289	SEG85/44	-1300	1849	371	COM87/42	-5269	632
44	DB4	-1634	-1895	126	Dummy21	5089	-1895	208	SEG4/125	3655	1849	290	SEG86/43	-1360	1849	372	COM86/43	-5269	572
45	DB4	-1574	-1895	127	Dummy22	5269	-1895	209	SEG5/124	3595	1849	291	SEG87/42	-1420	1849	373	COM85/44	-5269	512
46	DB3	-1450	-1895	128	COM17/112	5269	-1653	210	SEG6/123	3535	1849	292	SEG88/41	-1480	1849	374	COM84/45	-5269	452
47	DB3	-1390	-1895	129	COM18/111	5269	-1593	211	SEG7/122	3475	1849	293	SEG89/40	-1540	1849	375	COM83/46	-5269	392
48	DB2	-1266	-1895	130	COM19/110	5269	-1533	212	SEG8/121	3415	1849	294	SEG90/39	-1600	1849	376	COM82/47	-5269	332
49	DB2	-1206	-1895	131	COM20/109	5269	-1473	213	SEG9/120	3355	1849	295	SEG91/38	-1660	1849	377	COM81/48	-5269	272
50	DB1	-1083	-1895	132	COM21/108	5269	-1413	214	SEG10/119	3295	1849	296	SEG92/37	-1720	1849	378	COM80/49	-5269	212
51	DB1	-1023	-1895	133	COM22/107	5269	-1353	215	SEG11/118	3235	1849	297	SEG93/36	-1780	1849	379	COM79/50	-5269	152
52	DB0	-899	-1895	134	COM23/106	5269	-1293	216	SEG12/117	3175	1849	298	SEG94/35	-1840	1849	380	COM78/51	-5269	92
53	DB0	-838	-1895	135	COM24/105	5269	-1232	217	SEG13/116	3115	1849	299	SEG95/34	-1900	1849	381	COM77/52	-5269	32
54	GNDDUM3	-775	-1895	136	COM25/104	5269	-1172	218	SEG14/115	3055	1849	300	SEG96/33	-1960	1849	382	COM76/53	-5269	-28
55	RESET*	-715	-1895	137	COM26/103	5269	-1112	219	SEG15/114	2995	1849	301	SEG97/32	-2020	1849	383	COM75/54	-5269	-88
56	RESET*	-654	-1895	138	COM27/102	5269	-1052	220	SEG16/113	2935	1849	302	SEG98/31	-2080	1849	384	COM74/55	-5269	-148
57	CS*	-531	-1895	139	COM28/101	5269	-992	221	SEG17/112	2875	1849	303	SEG99/30	-2140	1849	385	COM73/56	-5269	-208
58	CS*	-471	-1895	140	COM29/100	5269	-932	222	SEG18/111	2815	1849	304	SEG100/29	-2200	1849	386	COM72/57	-5269	-268
59	RS	-347	-1895	141	COM30/99	5269	-872	223	SEG19/110	2755	1849	305	SEG101/28	-2260	1849	387	COM71/58	-5269	-328
60	RS	-287	-1895	142	COM31/98	5269	-812	224	SEG20/109	2695	1849	306	SEG102/27	-2320	1849	388	COM70/59	-5269	-388
61	E/WR*	-163	-1895	143	COM32/97	5269	-752	225	SEG21/108	2635	1849	307	SEG103/26	-2380	1849	389	COM69/60	-5269	-448
62	E/WR*	-103	-1895	144	COM33/96	5269	-692	226	SEG22/107	2575	1849	308	SEG104/25	-2440	1849	390	COM68/61	-5269	-508
63	RW/RD*	21	-1895	145	COM34/95	5269	-632	227	SEG23/106	2515	1849	309	SEG105/24	-2500	1849	391	COM67/62	-5269	-568
64	RW/RD*	81	-1895	146	COM35/94	5269	-572	228	SEG24/105	2455	1849	310	SEG106/23	-2560	1849	392	COM66/63	-5269	-628
65	GND	151	-1895	147	COM36/93	5269	-512	229	SEG25/104	2395	1849	311	SEG107/22	-2620	1849	393	COM65/64	-5269	-688
66	GND	211	-1895	148	COM37/92	5269	-452	230	SEG26/103	2335	1849	312	SEG108/21	-2680	1849	394	COM64/65	-5269	-748
67	GND	271	-1895	149	COM38/91	5269	-392	231	SEG27/102	2275	1849	313	SEG109/20	-2740	1849	395	COM63/66	-5269	-808
68	GND	332	-1895	150	COM39/														

# HD66750/1

## HD66751 Pad Coordinate

	PAD NAME	X	Y		PAD NAME	X	Y		PAD NAME	X	Y		PAD NAME	X	Y		PAD NAME	X	Y
1	Dummy1	-5269	-1895	83	C6+	1582	-1849	165	COM38/91	5269	571	247	COM107/22	1310	1849	329	SEG61/68	-3655	1849
2	Dummy2	-5089	-1895	84	C6-	1703	-1849	166	COM39/90	5269	631	248	COM108/21	1250	1849	330	SEG62/67	-3715	1849
3	Dummy3	-5029	-1895	85	C6-	1763	-1849	167	COM40/89	5269	691	249	COM109/20	1190	1849	331	SEG63/66	-3775	1849
4	Dummy4	-4969	-1895	86	C5+	1883	-1849	168	COM41/88	5269	752	250	COM110/19	1130	1849	332	SEG64/65	-3835	1849
5	Dummy5	-4909	-1895	87	C5+	1943	-1849	169	COM42/87	5269	812	251	COM111/18	1070	1849	333	SEG65/64	-3931	1849
6	Dummy6	-4848	-1895	88	C5-	2063	-1849	170	COM43/86	5269	872	252	COM112/17	1010	1849	334	SEG66/63	-3991	1849
7	Dummy7	-4788	-1895	89	C5-	2124	-1849	171	COM44/85	5269	932	253	COM113/16	950	1849	335	SEG67/62	-4051	1849
8	Dummy8	-4728	-1895	90	C4+	2244	-1849	172	COM45/84	5269	992	254	COM114/15	890	1849	336	SEG68/61	-4111	1849
9	Dummy9	-4668	-1895	91	C4+	2304	-1849	173	COM46/83	5269	1052	255	COM115/14	829	1849	337	SEG69/60	-4171	1849
10	Dummy10	-4608	-1895	92	C4-	2424	-1849	174	COM47/82	5269	1112	256	COM116/13	769	1849	338	SEG70/59	-4232	1849
11	GNDDUM1	-4454	-1895	93	C4-	2484	-1849	175	COM48/81	5269	1172	257	COM117/12	709	1849	339	SEG71/58	-4292	1849
12	IM1	-4394	-1895	94	C3+	2605	-1849	176	COM49/80	5269	1232	258	COM118/11	649	1849	340	SEG72/57	-4352	1849
13	IM1	-4334	-1895	95	C3+	2665	-1849	177	COM50/79	5269	1293	259	COM119/10	589	1849	341	Dummy36	-4428	1895
14	IM0	-4210	-1895	96	C3-	2785	-1849	178	COM51/78	5269	1353	260	COM120/9	529	1849	342	Dummy37	-4488	1895
15	IM0	-4150	-1895	97	C3-	2845	-1849	179	COM52/77	5269	1413	261	COM121/8	469	1849	343	Dummy38	-4548	1895
16	VccDUM1	-4086	-1895	98	C2+	2965	-1849	180	COM53/76	5269	1473	262	COM122/7	409	1849	344	Dummy39	-4608	1895
17	OPOFF	-4026	-1895	99	C2+	3025	-1849	181	COM54/75	5269	1533	263	COM123/6	348	1849	345	Dummy40	-4668	1895
18	OPOFF	-3966	-1895	100	C2-	3146	-1849	182	COM55/74	5269	1593	264	COM124/5	288	1849	346	Dummy41	-4728	1895
19	TEST	-3842	-1895	101	C2-	3206	-1849	183	COM56/73	5269	1653	265	COM125/4	228	1849	347	Dummy42	-4788	1895
20	TEST	-3782	-1895	102	C1+	3326	-1849	184	Dummy23	5269	1895	266	COM126/3	168	1849	348	Dummy43	-4848	1895
21	GNDDUM2	-3722	-1895	103	C1+	3386	-1849	185	Dummy24	5089	1895	267	COM127/2	108	1849	349	Dummy44	-4909	1895
22	DB15	-3658	-1895	104	C1-	3506	-1849	186	Dummy25	5029	1895	268	COM128/1	48	1849	350	Dummy45	-4969	1895
23	DB15	-3598	-1895	105	C1-	3566	-1849	187	Dummy26	4969	1895	269	SEG1/128	-48	1849	351	Dummy46	-5029	1895
24	DB14	-3474	-1895	106	VLOUT	3687	-1849	188	Dummy27	4909	1895	270	SEG2/127	-108	1849	352	Dummy47	-5089	1895
25	DB14	-3414	-1895	107	VLOUT	3747	-1849	189	Dummy28	4848	1895	271	SEG3/126	-168	1849	353	Dummy48	-5269	1895
26	DB13	-3290	-1895	108	VLCD	3867	-1849	190	Dummy29	4788	1895	272	SEG4/125	-228	1849	354	SEG73/56	-5269	1653
27	DB13	-3230	-1895	109	VLCD	3927	-1849	191	Dummy30	4728	1895	273	SEG5/124	-288	1849	355	SEG74/55	-5269	1593
28	DB12	-3106	-1895	110	V1OUT	4047	-1849	192	Dummy31	4668	1895	274	SEG6/123	-348	1849	356	SEG75/54	-5269	1533
29	DB12	-3046	-1895	111	V2OUT	4108	-1849	193	Dummy32	4608	1895	275	SEG7/122	-409	1849	357	SEG76/53	-5269	1473
30	DB11	-2922	-1895	112	V3OUT	4168	-1849	194	Dummy33	4548	1895	276	SEG8/121	-469	1849	358	SEG77/52	-5269	1413
31	DB11	-2862	-1895	113	V4OUT	4228	-1849	195	Dummy34	4488	1895	277	SEG9/120	-529	1849	359	SEG78/51	-5269	1353
32	DB10	-2738	-1895	114	V5OUT	4288	-1849	196	Dummy35	4428	1895	278	SEG10/119	-589	1849	360	SEG79/50	-5269	1293
33	DB10	-2678	-1895	115	VTEST	4348	-1849	197	COM57/72	4352	1849	279	SEG11/118	-649	1849	361	SEG80/49	-5269	1232
34	DB9	-2554	-1895	116	Dummy11	4488	-1895	198	COM58/71	4292	1849	280	SEG12/117	-709	1849	362	SEG81/48	-5269	1172
35	DB9	-2494	-1895	117	Dummy12	4548	-1895	199	COM59/70	4232	1849	281	SEG13/116	-769	1849	363	SEG82/47	-5269	1112
36	DB8	-2370	-1895	118	Dummy13	4608	-1895	200	COM60/69	4171	1849	282	SEG14/115	-829	1849	364	SEG83/46	-5269	1052
37	DB8	-2310	-1895	119	Dummy14	4668	-1895	201	COM61/68	4111	1849	283	SEG15/114	-889	1849	365	SEG84/45	-5269	992
38	DB7	-2186	-1895	120	Dummy15	4728	-1895	202	COM62/67	4051	1849	284	SEG16/113	-950	1849	366	SEG85/44	-5269	932
39	DB7	-2126	-1895	121	Dummy16	4788	-1895	203	COM63/66	3991	1849	285	SEG17/112	-1010	1849	367	SEG86/43	-5269	872
40	DB6	-2002	-1895	122	Dummy17	4848	-1895	204	COM64/65	3931	1849	286	SEG18/111	-1070	1849	368	SEG87/42	-5269	812
41	DB6	-1942	-1895	123	Dummy18	4909	-1895	205	COM65/64	3871	1849	287	SEG19/110	-1130	1849	369	SEG88/41	-5269	752
42	DB5	-1818	-1895	124	Dummy19	4969	-1895	206	COM66/63	3811	1849	288	SEG20/109	-1190	1849	370	SEG89/40	-5269	692
43	DB5	-1758	-1895	125	Dummy20	5029	-1895	207	COM67/62	3751	1849	289	SEG21/108	-1250	1849	371	SEG90/39	-5269	632
44	DB4	-1634	-1895	126	Dummy21	5089	-1895	208	COM68/61	3691	1849	290	SEG22/107	-1310	1849	372	SEG91/38	-5269	572
45	DB4	-1574	-1895	127	Dummy22	5269	-1895	209	COM69/60	3631	1849	291	SEG23/106	-1370	1849	373	SEG92/37	-5269	512
46	DB3	-1450	-1895	128	COM1/128	5269	-1653	210	COM70/59	3571	1849	292	SEG24/105	-1431	1849	374	SEG93/36	-5269	452
47	DB3	-1390	-1895	129	COM2/127	5269	-1593	211	COM71/58	3511	1849	293	SEG25/104	-1491	1849	375	SEG94/35	-5269	392
48	DB2	-1266	-1895	130	COM3/126	5269	-1533	212	COM72/57	3451	1849	294	SEG26/103	-1551	1849	376	SEG95/34	-5269	332
49	DB2	-1206	-1895	131	COM4/125	5269	-1473	213	COM73/56	3391	1849	295	SEG27/102	-1611	1849	377	SEG96/33	-5269	272
50	DB1	-1083	-1895	132	COM5/124	5269	-1413	214	COM74/55	3331	1849	296	SEG28/101	-1671	1849	378	SEG97/32	-5269	212
51	DB1	-1022	-1895	133	COM6/123	5269	-1353	215	COM75/54	3271	1849	297	SEG29/100	-1731	1849	379	SEG98/31	-5269	152
52	DB0	-899	-1895	134	COM7/122	5269	-1293	216	COM76/53	3211	1849	298	SEG30/99	-1791	1849	380	SEG99/30	-5269	92
53	DB0	-838	-1895	135	COM8/121	5269	-1232	217	COM77/52	3151	1849	299	SEG31/98	-1851	1849	381	SEG100/29	-5269	32
54	GNDDUM3	-775	-1895	136	COM9/120	5269	-1172	218	COM78/51	3091	1849	300	SEG32/97	-1912	1849	382	SEG101/28	-5269	-30
55	RESET*	-715	-1895	137	COM10/119	5269	-1112	219	COM79/50	2931	1849	301	SEG33/96	-1972	1849	383	SEG102/27	-5269	-90
56	RESET*	-654	-1895	138	COM11/118	5269	-1052	220	COM80/49	2871	1849	302	SEG34/95	-2032	1849	384	SEG103/26	-5269	-150
57	CS*	-531	-1895	139	COM12/117	5269	-992	221	COM81/48	2811	1849	303	SEG35/94	-2092	1849	385	SEG104/25	-5269	-210
58	CS*	-471	-1895	140	COM13/116	5269	-932	222	COM82/47	2751	1849	304	SEG36/93	-2152	1849	386	SEG105/24	-5269	-271
59	RS	-347	-1895	141	COM14/115	5269	-872	223	COM83/46	2691	1849	305	SEG37/92	-2212	1849	387	SEG106/23	-5269	-331
60	RS	-287	-1895	142	COM15/114	5269	-812	224	COM84/45	2631	1849	306	SEG38/91	-2272	1849	388	SEG107/22	-5269	-391
61	E/WR*	-163	-1895	143	COM16/113	5269	-752	225	COM85/44	2571	1849	307	SEG39/90	-2332	1849	389	SEG108/21	-5269	-451
62	E/WR*	-103	-1895	144	COM17/112	5269	-692	226	COM86/43	2511	1849	308	SEG40/89	-2392	1849	390	SEG109/20	-5269	-511
63	RW/RD*	21	-1895	145	COM18/111	5269	-632	227	COM87/42	2451	1849	309	SEG41/88	-2452	1849	391	SEG110/19	-5269	-571
64	RW/RD*	81	-1895	146	COM19/110	5269	-572	228	COM88/41	2391	1849	310	SEG42/87	-2512	1849	392	SEG111/18	-5269	-631
65	GND	151	-1895	147	COM20/109	5269	-512	229	COM89/40	2332	1849	311	SEG43/86	-2573	1849	393	SEG112/17	-5269	-691
66	GND	211	-1895	148	COM21/108	5269	-452	230	COM90/39	2272	1849	312	SEG44/85	-2633	1849	394	SEG113/16	-5269	-752
67	GND	271	-1895	149	COM22/107	5269	-392	231	COM91/38	2212	1849	313	SEG45/84	-2693	1849	395	SEG114/15	-5269	-812
68	GND	332	-1895	150	COM2														

TCP Dimensions (HD66750TB0)



# HD66750/1

## Pin Functions

**Table 2 Pin Functional Description**

Signals	Number of Pins	I/O	Connected to	Functions		
IM1, IM0	2	I	GND or V <sub>cc</sub>	Selects the MPU interface mode:		
				IM1	IM0	MPU interface mode
				GND	GND	68-system 16-bit bus interface
				GND	V <sub>cc</sub>	68-system 8-bit bus interface
				V <sub>cc</sub>	GND	80-system 16-bit bus interface
				V <sub>cc</sub>	V <sub>cc</sub>	80-system 8-bit bus interface
CS*	1	I	MPU	Selects the HD66750/1: Low: HD66750/1 is selected and can be accessed High: HD66750/1 is not selected and cannot be accessed Must be fixed at GND level when not in use.		
RS	1	I	MPU	Selects the register. Low: Index/status      High: Control		
E/WR*	1	I	MPU	For a 68-system bus interface, serves as an enable signal to activate data read/write operation. For an 80-system bus interface, serves as a write strobe signal and writes data at the low level.		
RW/RD*	1	I	MPU	For a 68-system bus interface, serves as a signal to select data read/write operation. Low: Write      High: Read For an 80-system bus interface, serves as a read strobe signal and reads data at the low level.		
DB0–DB15	16	I/O	MPU	Serves as a 16-bit bidirectional data bus. For an 8-bit bus interface, data transfer uses DB15-DB8; fix unused DB7-DB0 to the V <sub>cc</sub> or GND level.		
COM1/128– COM128/1	128	O	LCD	Output signals for common drive: All the unused pins output unselected waveforms. In the display-off period (D = 0), sleep mode (SLP = 1), or standby mode (STB = 1), all pins output GND level. The CMS bit can change the shift direction of the common signal. For example, if CMS = 0, COM1/128 is COM1, and COM128/1 is COM128. If CMS = 1, COM1/128 is COM128, and COM128/1 is COM1. Note that the start position of the common output is shifted by CN1–CN0 bits.		
SEG1/128– SEG128/1	128	O	LCD	Output signals for segment drive. In the display-off period (D = 0), sleep mode (SLP = 1), or standby mode (STB = 1), all pins output GND level. The SGS bit can change the shift direction of the segment signal. For example, if SGS = 0, SEG1/128 is SEG1. If SGS = 1, SEG1/128 is SEG128.		

**Table 2 Pin Functional Description (cont)**

Signals	Number of Pins	I/O	Connected to	Functions
V1OUT– V5OUT	5	I or O	Open or external bleeder-resistor	Used for output from the internal operational amplifiers when they are used (OPOFF = GND); attach a capacitor to stabilize the output. When the amplifiers are not used (OPOFF = V <sub>CC</sub> ), V1 to V5 voltages can be supplied to these pins externally.
V <sub>LCD</sub>	1	—	Power supply	Power supply for LCD drive. V <sub>LCD</sub> – GND = 17 V max.
V <sub>CC</sub> , GND	2	—	Power supply	V <sub>CC</sub> : +1.8 V to +5.5 V; GND (logic): 0 V
OSC1, OSC2	2	I or O	Oscillation-resistor or clock	For R-C oscillation using an external resistor, connect an external resistor. For external clock supply, input clock pulses to OSC1.
V <sub>ci</sub>	1	I	Power supply	Inputs a reference voltage and supplies power to the booster; generates the liquid crystal display drive voltage from the operating voltage. The boosting output voltage must not be larger than the absolute maximum ratings. Must be left disconnected when the booster is not used.
V <sub>L</sub> OUT	1	O	V <sub>LCD</sub> pin/booster capacitance	Potential difference between V <sub>ci</sub> and GND is two- to seven-times-boosted and then output. Magnitude of boost is selected by instruction.
C1+, C1–	2	—	Booster capacitance	External capacitance should be connected here for boosting.
C2+, C2–	2	—	Booster capacitance	External capacitance should be connected here for boosting.
C3+, C3–	2	—	Booster capacitance	External capacitance should be connected here for boosting.
C4+, C4–	2	—	Booster capacitance	External capacitance should be connected here for boosting.
C5+, C5–	2	—	Booster capacitance	External capacitance should be connected here for boosting.
C6+, C6–	2	—	Booster capacitance	External capacitance should be connected here for boosting.
RESET*	1	I	MPU or external R-C circuit	Reset pin. Initializes the LSI when low. Must be reset after power-on.
OPOFF	1	I	V <sub>CC</sub> or GND	Turns the internal operational amplifier off when OPOFF = V <sub>CC</sub> , and turns it on when OPOFF = GND. If the amplifier is turned off (OPOFF = V <sub>CC</sub> ), V1 to V5 must be supplied to the V1OUT to V5OUT pins.
V <sub>CC</sub> DUM	2	O	Input pins	Outputs the internal V <sub>CC</sub> level; shorting this pin sets the adjacent input pin to the V <sub>CC</sub> level.
GND <sub>DUM</sub>	4	O	Input pins	Outputs the internal GND level; shorting this pin sets the adjacent input pin to the GND level.
Dummy	4	—	—	Dummy pad. Must be left disconnected.
TEST	1	I	GND	Test pin. Must be fixed at GND level.
VTEST	1	—	—	Test pin. Must be left disconnected.

---

# HD66750/1

---

## Block Function Description

### System Interface

The HD66750/1 has four high-speed system interfaces: an 80-system 16-bit/8-bit bus and a 68-system 16-bit/8-bit bus. The interface mode is selected by the IM1-0 pins.

The HD66750/1 has three 16-bit registers: an index register (IR), a write data register (WDR), and a read data register (RDR). The IR stores index information from the control registers and the CGRAM. The WDR temporarily stores data to be written into control registers and the CGRAM, and the RDR temporarily stores data read from the CGRAM. Data written into the CGRAM from the MPU is first written into the WDR and then is automatically written into the CGRAM by internal operation. Data is read through the RDR when reading from the CGRAM, and the first read data is invalid and the second and the following data are normal. When a logic operation is performed inside of the HD66750/1 by using the display data set in the CGRAM and the data written from the MPU, the data read through the RDR is used. Accordingly, the MPU does not need to read data twice nor to fetch the read data into the MPU. This enables high-speed processing.

Execution time for instruction excluding oscillation start is 0 clock cycle and instructions can be written in succession.

**Table 3 Register Selection by RS and R/W Bits**

R/W Bits	RS Bits	Operations
0	0	Writes indexes into IR
1	0	Disabled
0	1	Writes into control registers and CGRAM through WDR
1	1	Reads from CGRAM through RDR

### Bit Operation

The HD66750/1 supports the following functions: a bit rotation function that writes the data written from the MPU into the CGRAM by moving the display position in bit units, a write data mask function that selects and writes data into the CGRAM in bit units, and a logic operation function that performs logic operations on the display data set in the CGRAM and writes into the CGRAM. With the 16-bit bus interface, these functions can greatly reduce the processing loads of the MPU graphics software and can rewrite the display data in the CGRAM at high speed. For details, see the Graphics Operation Function section.

### Address Counter (AC)

The address counter (AC) assigns addresses to the CGRAM. When an address set instruction is written into the IR, the address information is sent from the IR to the AC.

After writing into the CGRAM, the AC is automatically incremented by 1 (or decremented by 1). After reading from the data, the RDM bit automatically updates or does not update the AC.



**Graphic RAM (CGRAM)**

The graphic RAM (CGRAM) stores bit-pattern data of 128 x 120 dots. It has two bits/pixel and 4096-byte capacity.

**Grayscale Control Circuit**

The grayscale control circuit performs four-grayscale control with the frame rate control (FRC) method for four-monochrome grayscale display. For details, see the Four Grayscale Display Function section.

**Timing Generator**

The timing generator generates timing signals for the operation of internal circuits such as the CGRAM. The RAM read timing for display and internal operation timing by MPU access are generated separately to avoid interference with one another.

**Oscillation Circuit (OSC)**

The HD66750/1 can provide R-C oscillation simply through the addition of an external oscillation-resistor between the OSC1 and OSC2 pins. The appropriate oscillation frequency for operating voltage, display size, and frame frequency can be obtained by adjusting the external-resistor value. Clock pulses can also be supplied externally. Since R-C oscillation stops during the standby mode, current consumption can be reduced. For details, see the Oscillation Circuit section.

**Liquid Crystal Display Driver Circuit**

The liquid crystal display driver circuit consists of 128 common signal drivers (COM1 to COM128) and 128 segment signal drivers (SEG1 to SEG128). When the number of lines are selected by a program, the required common signal drivers automatically output drive waveforms, while the other common signal drivers continue to output unselected waveforms.

Display pattern data is latched when 128-bit data has arrived. The latched data then enables the segment signal drivers to generate drive waveform outputs. The shift direction of 128-bit data can be changed by the SGS bit. The shift direction for the common driver can also be changed by the CMS bit by selecting an appropriate direction for the device mounting configuration.

When multiplexing drive is not used, or during the standby or sleep mode, all the above common and segment signal drivers output the GND level, halting the display.

**Booster (DC-DC Converter)**

The booster generates two-, five-, six-, or seven-times voltage input to the Vci pin. With this, both the internal logic units and LCD drivers can be controlled with a single power supply. Boost output level from twice to seven-times boost can be selected by software. For details, see the Power Supply for Liquid Crystal Display Drive section.

**V-Pin Voltage Follower**

A voltage follower for each voltage level (V1 to V5) reduces current consumption by the LCD drive power supply circuit. No external resistors are required because of the internal bleeder-resistor, which generates different levels of LCD drive voltage. This internal bleeder-resistor can be software-specified from 1/4 bias to 1/11 bias, according to the liquid crystal display drive duty value. The voltage followers can be turned off while multiplexing drive is not being used. For details, see the Power Supply for Liquid Crystal Display Drive section.

**Contrast Adjuster**

The contrast adjuster can be used to adjust LCD contrast in 64 steps by varying the LCD drive voltage by software. This can be used to select an appropriate LCD brightness or to compensate for temperature.

### CGRAM Address Map

**Table 4 Relationship between Display Position and CGRAM Address**

Segment Driver		SEG1/128	SEG2/127	SEG3/126	SEG4/125	SEG5/124	SEG6/123	SEG7/122	SEG8/121	SEG9/120	⋮ SEG16/113	SEG17/112	⋮ SEG24/105	⋮	SEG121/8	⋮	SEG128/1													
Bit	SGS="0"	D0	D1	D2	D3	D4	D5	D6	D7	D8	D9	D10	D11	D12	D13	D14	D15	D0	D1	⋮	D15	D0	D1	⋮	D15	⋮	D0	D1	⋮	D15
	SGS="1"	D15	D14	D13	D12	D11	D10	D9	D8	D7	D6	D5	D4	D3	D2	D1	D0	D15	D14	⋮	D0	D15	D14	⋮	D0	⋮	D15	D14	⋮	D0
COM1	Address: "000"H															"001"H	"002"H	⋮	"00F"H											
COM2	Address: "010"H															"011"H	"012"H	⋮	"01F"H											
COM3	Address: "020"H															"021"H	"022"H	⋮	"02F"H											
COM4	Address: "030"H															"031"H	"032"H	⋮	"03F"H											
COM5	Address: "040"H															"041"H	"042"H	⋮	"04F"H											
COM6	Address: "050"H															"051"H	"052"H	⋮	"05F"H											
COM7	Address: "060"H															"061"H	"062"H	⋮	"06F"H											
COM8	Address: "070"H															"071"H	"072"H	⋮	"07F"H											
COM9	Address: "080"H															"081"H	"082"H	⋮	"08F"H											
COM10	Address: "090"H															"091"H	"092"H	⋮	"09F"H											
COM11	Address: "0A0"H															"0A1"H	"0A2"H	⋮	"0AF"H											
COM12	Address: "0B0"H															"0B1"H	"0B2"H	⋮	"0BF"H											
COM13	Address: "0C0"H															"0C1"H	"0C2"H	⋮	"0CF"H											
COM14	Address: "0D0"H															"0D1"H	"0D2"H	⋮	"0DF"H											
COM15	Address: "0E0"H															"0E1"H	"0E2"H	⋮	"0EF"H											
COM16	Address: "0F0"H															"0F1"H	"0F2"H	⋮	"0FF"H											
COM17	Address: "100"H															"101"H	"102"H	⋮	"10F"H											
COM18	Address: "110"H															"111"H	"112"H	⋮	"11F"H											
COM19	Address: "120"H															"121"H	"122"H	⋮	"12F"H											
COM20	Address: "130"H															"131"H	"132"H	⋮	"13F"H											
⋮	⋮															⋮	⋮	⋮	⋮											
COM125	Address: "7C0"H															"7C1"H	"7C2"H	⋮	"7CF"H											
COM126	Address: "7D0"H															"7D1"H	"7D2"H	⋮	"7DF"H											
COM127	Address: "7E0"H															"7E1"H	"7E2"H	⋮	"7EF"H											
COM128	Address: "7F0"H															"7F1"H	"7F2"H	⋮	"7FF"H											

**Table 5 Relationship between CGRAM Data and Display Contents**

Upper Bit	Lower Bit	LCD
0	0	Non-selection display (unlit)
0	1	1/3- or 1/2-level grayscale display (selected by the GS bit)
1	0	2/3-level grayscale display
1	1	Selection display (lit)

Note: Upper bits: DB15, DB13, DB11, DB9, DB7, DB5, DB3, DB1  
 Lower bits: DB14, DB12, DB10, DB8, DB6, DB4, DB2, DB0

---

## HD66750/1

---

### Instructions

#### Outline

The HD66750/1 uses the 16-bit bus architecture. Before the internal operation of the HD66750/1 starts, control information is temporarily stored in the registers described below to allow high-speed interfacing with a high-performance microcomputer. The internal operation of the HD66750/1 is determined by signals sent from the microcomputer. These signals, which include the register selection signal (RS), the read/write signal (R/W), and the data bus signals (DB15 to DB7), make up the HD66750/1 instructions. There are seven categories of instructions that:

- Specify the index
- Read the status
- Control the display
- Control power management
- Process the graphics data
- Set internal CGRAM addresses
- Transfer data to and from the internal CGRAM

Normally, instructions that write data are used the most. However, an auto-update of internal CGRAM addresses after each data write can lighten the microcomputer program load.

Because instructions are executed in 0 cycles, they can be written in succession.

## Instruction Descriptions

### Index

The index instruction specifies the RAM control indexes (R00 to R12). It sets the register number in the range of 00000 to 10010 in binary form.

R/W	RS	DB15	DB14	DB13	DB12	DB11	DB10	DB9	DB8	DB7	DB6	DB5	DB4	DB3	DB2	DB1	DB0
0	0	*	*	*	*	*	*	*	*	*	*	*	ID4	ID3	ID2	ID1	ID0

Figure 1 Index Instruction

### Status Read

The status read instruction reads the internal status of the HD66750/1.

**L6–0:** Indicate the driving raster-row position where the liquid crystal display is being driven.

**C5–0:** Read the contrast setting values (CT5–0).

R/W	RS	DB15	DB14	DB13	DB12	DB11	DB10	DB9	DB8	DB7	DB6	DB5	DB4	DB3	DB2	DB1	DB0
1	0	0	L6	L5	L4	L3	L2	L1	L0	0	0	C5	C4	C3	C2	C1	C0

Figure 2 Status Read Instruction

### Start Oscillation

The start oscillation instruction restarts the oscillator from the halt state in the standby mode. After issuing this instruction, wait at least 10 ms for oscillation to stabilize before issuing the next instruction. (See the Standby Mode section.)

If this register is read forcibly when R/W = 1, 0750H is read.

R/W	RS	DB15	DB14	DB13	DB12	DB11	DB10	DB9	DB8	DB7	DB6	DB5	DB4	DB3	DB2	DB1	DB0
0	1	*	*	*	*	*	*	*	*	*	*	*	*	*	*	*	1
1	1	0	0	0	0	0	1	1	1	0	1	0	1	0	0	0	0

Figure 3 Start Oscillation Instruction

## HD66750/1

### Driver Output Control

**CMS:** Selects the output shift direction of a common driver. When CMS = 0, COM1/128 shifts to COM1, and COM128/1 to COM128. When CMS = 1, COM1/128 shifts to COM128, and COM128/1 to COM1. Output position of a common driver shifts depending on the CN bit setting.

**SGS:** Selects the output shift direction of a segment driver. When SGS = 0, SEG1/128 shifts to SEG1, and SEG128/1 to SEG128. When SGS = 1, SEG1/128 shifts to SEG128, and SEG128/1 to SEG1.

**CN:** When CN = 1, the display position is shifted down by 32 raster-rows and display starts from COM33. When the liquid crystal is driven at a low duty ratio in the system wait state, it can be partially displayed at the center of the screen. For details, see the Partial-display-on Function section.

**NL3-0:** Specify the LCD drive duty ratio. The duty ratio can be adjusted for every eight raster-rows. CGRAM address mapping does not depend on the setting value of the drive duty ratio.

R/W	RS	DB15	DB14	DB13	DB12	DB11	DB10	DB9	DB8	DB7	DB6	DB5	DB4	DB3	DB2	DB1	DB0
0	1	*	*	*	*	*	*	CMS	SGS	*	CN	*	*	NL3	NL2	NL1	NL0

Figure 4 Driver Output Control Instruction

Table 6 NL Bits and Drive Duty

NL3	NL2	NL1	NL0	Display Size	LCD Drive Duty	Common Driver Used
0	0	0	0	128 x 8 dots	1/8 Duty	COM1–COM8
0	0	0	1	128 x 16 dots	1/16 Duty	COM1–COM16
0	0	1	0	128 x 24 dots	1/24 Duty	COM1–COM24
0	0	1	1	128 x 32 dots	1/32 Duty	COM1–COM32
0	1	0	0	128 x 40 dots	1/40 Duty	COM1–COM40
0	1	0	1	128 x 48 dots	1/48 Duty	COM1–COM48
0	1	1	0	128 x 56 dots	1/56 Duty	COM1–COM56
0	1	1	1	128 x 64 dots	1/64 Duty	COM1–COM64
1	0	0	0	128 x 72 dots	1/72 Duty	COM1–COM72
1	0	0	1	128 x 80 dots	1/80 Duty	COM1–COM80
1	0	1	0	128 x 88 dots	1/88 Duty	COM1–COM88
1	0	1	1	128 x 96 dots	1/96 Duty	COM1–COM96
1	1	0	0	128 x 104 dots	1/104 Duty	COM1–COM104
1	1	0	1	128 x 112 dots	1/112 Duty	COM1–COM112
1	1	1	0	128 x 120 dots	1/120 Duty	COM1–COM120
1	1	1	1	128 x 128 dots	1/128 Duty	COM1–COM128

**LCD-Driving-Waveform Control**

**B/C:** When B/C = 0, a B-pattern waveform is generated and alternates in every frame for LCD drive. When B/C = 1, a C-pattern waveform is generated and alternates in each raster-row specified by bits EOR and NW4–NW0 in the LCD-driving-waveform control register. For details, see the n-raster-row Reversed AC Drive section.

**EOR:** When the C-pattern waveform is set (B/C = 1) and EOR = 1, the odd/even frame-select signals and the n-raster-row reversed signals are EORed for alternating drive. EOR is used when the LCD is not alternated by combining the set values of the LCD drive duty ratio and the n raster-row. For details, see the n-raster-row Reversed AC Drive section.

**NW4–0:** Specify the number of raster-rows n that will alternate at the C-pattern waveform setting (B/C = 1). NW4–NW0 alternate for every set value + 1 raster-row, and the first to the 32nd raster-rows can be selected.

R/W	RS	DB15	DB14	DB13	DB12	DB11	DB10	DB9	DB8	DB7	DB6	DB5	DB4	DB3	DB2	DB1	DB0
0	1	*	*	*	*	*	*	*	*	*	<b>B/C</b>	<b>EOR</b>	<b>NW4</b>	<b>NW3</b>	<b>NW2</b>	<b>NW1</b>	<b>NW0</b>

**Figure 5 LCD-Driving-Waveform Control Instruction**

## HD66750/1

Table 7 Common Driver Pin Function

Common Driver Pin	Common Driver Pin Function			
	CN = 0 (Normal Output)		CN = 1 (Center Output)	
	CMS = 0	CMS = 1	CMS = 0	CMS = 1
COM1/128	<b>COM1</b>	COM128	COM97	COM96
:	:	:	:	:
COM8/121	COM8	COM121	COM104	COM89
COM9/120	COM9	COM120	COM105	COM88
:	:	:	:	:
COM16/113	COM16	COM113	COM112	COM81
COM17/112	COM17	COM112	COM113	COM80
:	:	:	:	:
COM24/105	COM24	COM105	COM120	COM73
COM25/104	COM25	COM104	(COM121)	COM72
:	:	:	:	:
COM32/97	COM32	COM97	(COM128)	COM65
COM33/96	COM33	COM96	<b>COM1</b>	COM64
:	:	:	:	:
COM40/89	COM40	COM89	COM8	COM57
COM41/88	COM41	COM88	COM9	COM56
:	:	:	:	:
COM48/81	COM48	COM81	COM16	COM49
COM49/80	COM49	COM80	COM17	COM48
:	:	:	:	:
COM56/73	COM56	COM73	COM24	COM41
COM57/72	COM57	COM72	COM25	COM40
:	:	:	:	:
COM64/65	COM64	COM65	COM32	COM33
COM65/64	COM65	COM64	COM33	COM32
:	:	:	:	:
COM72/57	COM72	COM57	COM40	COM25
COM73/56	COM73	COM56	COM41	COM24
:	:	:	:	:
COM80/49	COM80	COM49	COM48	COM17
COM81/48	COM81	COM48	COM49	COM16
:	:	:	:	:
COM88/41	COM88	COM41	COM56	COM9
COM89/40	COM89	COM40	COM57	COM8
:	:	:	:	:
COM96/33	COM96	COM33	COM64	<b>COM1</b>



**Table 7 Common Driver Pin Function (cont)**

Common Driver Pin	Common Driver Pin Function			
	CN = 0 (Normal Output)		CN = 1 (Center Output)	
	CMS = 0	CMS = 1	CMS = 0	CMS = 1
COM97/32	COM97	COM32	COM65	(COM128)
:	:	:	:	:
COM104/25	COM104	COM25	COM72	(COM121)
COM105/24	COM105	COM24	COM73	COM120
:	:	:	:	:
COM112/17	COM112	COM17	COM80	COM113
COM113/16	COM113	COM16	COM81	COM112
:	:	:	:	:
COM120/9	COM120	COM9	COM88	COM105
COM121/8	COM121	COM8	COM89	COM104
:	:	:	:	:
COM128/1	COM128	<b>COM1</b>	COM96	COM97

### Power Control

**BS2-0:** The LCD drive bias value is set within the range of a 1/4 to 1/11 bias. The LCD drive bias value can be selected according to its drive duty ratio and voltage. For details, see the Liquid Crystal Display Drive Bias Selector section.

**BT1-0:** The output factor of V5OUT between two-times, three-times, four-times, five-times, six-times, and seven-times boost is switched. The LCD drive voltage level can be selected according to its drive duty ratio and bias. Lower amplification of the booster consumes less current.

**DC1-0:** The operating frequency in the booster is selected. When the boosting operating frequency is high, the driving ability of the booster and the display quality become high, but the current consumption is increased. Adjust the frequency considering the display quality and the current consumption.

**AP1-0:** The amount of fixed current from the fixed current source in the operational amplifier for V pins (V1 to V5) is adjusted. When the amount of fixed current is large, the driving ability of the booster and the display quality become high, but the current consumption is increased. Adjust the fixed current considering the display quality and the current consumption.

During no display, when AP1-0 = 00, the current consumption can be reduced by ending the operational amplifier and booster operation.

---

## HD66750/1

---

**Table 8 BS Bits and LCD Drive Bias Value**

BS2	BS1	BS0	LCD Drive Bias Value
0	0	0	1/11 bias drive
0	0	1	1/10 bias drive
0	1	0	1/9 bias drive
0	1	1	1/8 bias drive
1	0	0	1/7 bias drive
1	0	1	1/6 bias drive
1	1	0	1/5 bias drive
1	1	1	1/4 bias drive

**Table 9 BT Bits and Output Level**

BT1	BT0	V5OUT Output Level
0	0	Two-times boost
0	1	Five-times boost
1	0	Six-times boost
1	1	Seven-times boost

**Table 10 DC Bits and Operating Clock Frequency**

DC1	DC0	Operating Clock Frequency in the Booster
0	0	32-divided clock
0	1	16-divided clock
1	0	8-divided clock
1	1	4-divided clock

**Table 11 AP Bits and Amount of Fixed Current**

AP1	AP0	Amount of Fixed Current in the Operational Amplifier
0	0	Operational amplifier and booster do not operate.
0	1	Small
1	0	Middle
1	1	Large

**SLP:** When SLP = 1, the HD66750/1 enters the sleep mode, where the internal display operations are halted except for the R-C oscillator, thus reducing current consumption. For details, see the Sleep Mode section. Only the following instructions can be executed during the sleep mode.

Power control (BS2–0, BT1–0, DC1–0, AP1–0, SLP, and STB bits)

During the sleep mode, the other CGRAM data and instructions cannot be updated although they are

retained.

**STB:** When  $STB = 1$ , the HD66750/1 enters the standby mode, where display operation completely stops, halting all the internal operations including the internal R-C oscillator. Further, no external clock pulses are supplied. For details, see the Standby Mode section.

Only the following instructions can be executed during the standby mode.

- a. Standby mode cancel ( $STB = 0$ )
- b. Start oscillation
- c. Power control ( $BS2-0$ ,  $BT1-0$ ,  $DC1-0$ ,  $AP1-0$ , SLP, and STB bits)

During the standby mode, the CGRAM data and instructions may be lost. To prevent this, they must be set again after the standby mode is canceled.

R/W	RS	DB15	DB14	DB13	DB12	DB11	DB10	DB9	DB8	DB7	DB6	DB5	DB4	DB3	DB2	DB1	DB0
0	1	*	*	*	<b>BS2</b>	<b>BS1</b>	<b>BS0</b>	<b>BT1</b>	<b>BT0</b>	*	*	<b>DC1</b>	<b>DC0</b>	<b>AP1</b>	<b>AP0</b>	<b>SLP</b>	<b>STB</b>

**Figure 6 Power Control Instruction**

# HD66750/1

## Contrast Control

**CT5-0:** These bits control the LCD drive voltage (potential difference between V1 and GND) to adjust 64-step contrast. For details, see the Contrast Adjuster section.

R/W	RS	DB15	DB14	DB13	DB12	DB11	DB10	DB9	DB8	DB7	DB6	DB5	DB4	DB3	DB2	DB1	DB0
0	1	*	*	*	*	*	*	*	*	*	*	CT5	CT4	CT3	CT2	CT1	CT0

Figure 7 Contrast Control Instruction

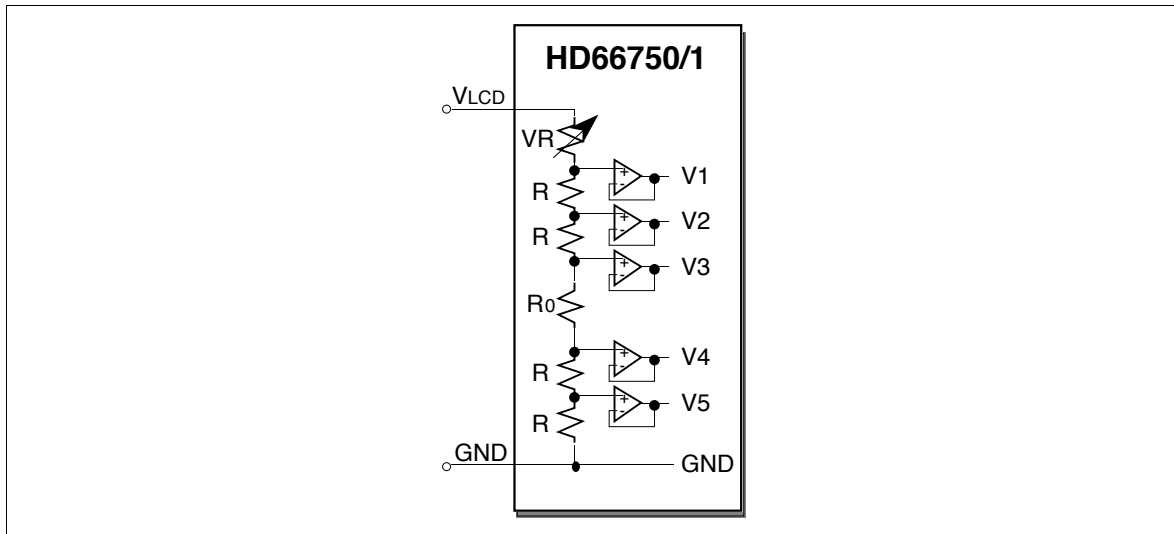


Figure 8 Contrast Adjuster

**Table 12 CT Bits and Variable Resistor Value of Contrast Adjuster**

CT Set Value						
CT5	CT4	CT3	CT2	CT1	CT0	Variable Resistor (VR)
0	0	0	0	0	0	3.20 x R
0	0	0	0	0	1	3.15 x R
0	0	0	0	1	0	3.10 x R
0	0	0	0	1	1	3.05 x R
0	0	0	1	0	0	3.00 x R
			.			.
			.			.
0	1	1	1	1	1	1.65 x R
1	0	0	0	0	0	1.60 x R
1	0	0	0	0	1	1.55 x R
1	0	0	0	1	0	1.50 x R
			.			.
			.			.
1	1	1	1	0	1	0.15 x R
1	1	1	1	1	0	0.10 x R
1	1	1	1	1	1	0.05 x R

### Entry Mode

#### Rotation

The write data sent from the microcomputer is modified in the HD66750/1 and written to the CGRAM. The display data in the CGRAM can be quickly rewritten to reduce the load of the microcomputer software processing. For details, see the Graphics Operation Function section.

**I/D:** When I/D = 1, the address counter (AC) is automatically incremented by 1 after the data is written to the CGRAM. When I/D = 0, the AC is automatically decremented by 1 after the data is written to the CGRAM.

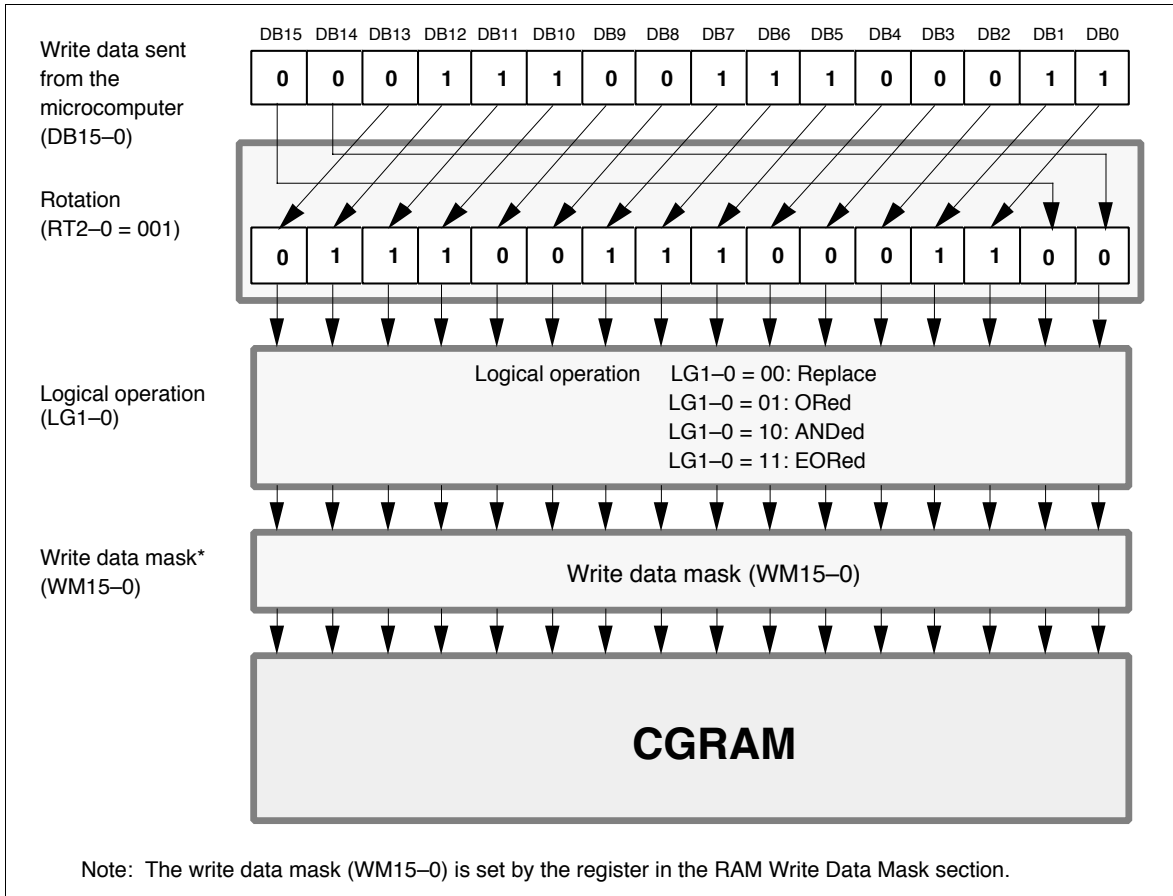
**AM1-0:** Set the automatic update method of the AC after the data is written to the CGRAM. When AM1-0 = 00, the data is continuously written in parallel. When AM1-0 = 01, the data is continuously written vertically. When AM1-0 = 10, the data is continuously written vertically with two-word width (32-bit length).

**LG1-0:** Write again the data read from the CGRAM and the data written from the microcomputer to the CGRAM by a logical operation. When LG1-0 = 00, replace (no logical operation) is done. ORed when LG1-0 = 01, ANDed when LG1-0 = 10, and EORed when LG1-0 = 11.

**RT2-0:** Write the data sent from the microcomputer to the CGRAM by rotating in a bit unit. RT3-0 specify rotation. For example, when RT2-0 = 001, the data is rotated in the upper side by two bits. When RT2-0 = 111, the data is rotated in the upper side by 14 bits. The upper bit overflowed in the most significant bit (MSB) side is rotated in the least significant bit (LSB) side.

R/W	RS	DB15	DB14	DB13	DB12	DB11	DB10	DB9	DB8	DB7	DB6	DB5	DB4	DB3	DB2	DB1	DB0
0	1	*	*	*	*	*	*	*	*	*	*	*	I/D	AM1	AM0	LG1	LG0
0	1	*	*	*	*	*	*	*	*	*	*	*	*	*	RT2	RT1	RT0

**Figure 9 Entry Mode and Rotation Instructions**



**Figure 10 Logical Operation and Rotation for the CGRAM**

**Display Control**

**PS1-0:** When PS1-0 = 01, only the upper eight raster-rows (COM1-COM8) are fixed-displayed in vertical smooth scrolling, and the other display raster-rows are smooth-scrolled. When PS1-0 = 10, the upper 16 raster-rows (COM1-COM16) are fixed-displayed. When PS1-0 = 11, the upper 24 raster-rows (COM1-COM24) are fixed-displayed. For details, see the Partial Smooth Scroll Display Function section.

**DHE:** When DHE = 1, the double height between raster-rows specified in the Double-height Display Position section is displayed. For details, see the Double-height Display section.

**GS:** When GS = 0, the grayscale level at a weak-colored display (DB = 01) is 1/3. When GS = 1, the grayscale level at weak-colored display is 1/2, and at strong-colored display (when DB = 10) it is 2/3.

**REV:** Displays all character and graphics display sections with black-and-white reversal when REV = 1. For details, see the Reversed Display Function section.

**D:** Display is on when D = 1 and off when D = 0. When off, the display data remains in the CGRAM, and can be displayed instantly by setting D = 1. When D is 0, the display is off with the SEG1 to SEG128 outputs and COM1 to COM128 outputs set to the GND level. Because of this, the HD66750/1 can control the charging current for the LCD with AC driving.

R/W	RS	DB15	DB14	DB13	DB12	DB11	DB10	DB9	DB8	DB7	DB6	DB5	DB4	DB3	DB2	DB1	DB0
0	1	*	*	*	*	*	*	*	*	*	*	<b>PS1</b>	<b>PS0</b>	<b>DHE</b>	<b>GS</b>	<b>REV</b>	<b>D</b>

**Figure 11 Display Control Instruction**

## HD66750/1

### Cursor Control

**C:** When C = 1, the window cursor display is started. The display mode is selected by the CM1–0 bits, and the display area is specified in a dot unit by the horizontal cursor position register (HS6–0 and HE6–0 bits) and vertical cursor position register (VS6–0 and VE6–0 bits). For details, see the Window Cursor Display section.

**CM1–0:** The display mode of the window cursor is selected. These bits can display a white-blink cursor, black-blink cursor, black-and-white reversed cursor, and black-and-white-reversed blink cursor.

R/W	RS	DB15	DB14	DB13	DB12	DB11	DB10	DB9	DB8	DB7	DB6	DB5	DB4	DB3	DB2	DB1	DB0
0	1	*	*	*	*	*	*	*	*	*	*	*	*	*	C	CM1	CM0

Figure 12 Cursor Control Instruction

Table 13 CM Bits and Window Cursor Display Mode

CM1	CM0	Window Cursor Display Mode
0	0	White-blink cursor (alternately blinking between the normal display and an all-white display (all unlit))
0	1	Black-blink cursor (alternately blinking between the normal display and an all-black display (all lit))
1	0	Black-and-white reversed cursor (black-and-white-reversed normal display (no blinking))
1	1	Black-and-white-reversed blink cursor (alternately blinking the black-and-white-reversed normal display)

### Double-height Display Position

**DS6–0:** Specify any common raster-row position where the double-height display starts. Note that no scrolling is done by vertical scrolling. For details, see the Double-height Display section.

**DE6–0:** Specify any common raster-row position where the double-height display ends. Set the end position of the double-height display after the start position of the double-height display, satisfying the relationship  $DS6-0 \leq DE6-0$ . When the area specifying the double height has an odd number of raster-rows, the double-height display is done for the  $DE6-0 + 1$  raster-rows.

When the double-height display is not used, set the DHE bit in the display-control instruction register to 0.

R/W	RS	DB15	DB14	DB13	DB12	DB11	DB10	DB9	DB8	DB7	DB6	DB5	DB4	DB3	DB2	DB1	DB0
0	1	*	DE6	DE5	DE4	DE3	DE2	DE1	DE0	*	DS6	DS5	DS4	DS3	DS2	DS1	DS0

Figure 13 Double-height Display Position Instruction



**Vertical Scroll Control**

**SL6-0:** Specify the display start raster-row for vertical smooth scrolling. Any raster-row from the first to 128th can be selected (table 14). After the 128th raster-row is displayed, the display restarts from the first raster-row. For details, see the Vertical Smooth Scroll section.

In partial smooth scrolling, these bits specify the display start raster-row of the next fixed-display raster-row. For details, see the Partial Smooth Scroll Display Function section.

R/W	RS	DB15	DB14	DB13	DB12	DB11	DB10	DB9	DB8	DB7	DB6	DB5	DB4	DB3	DB2	DB1	DB0
0	1	*	*	*	*	*	*	*	*	*	<b>SL6</b>	<b>SL5</b>	<b>SL4</b>	<b>SL3</b>	<b>SL2</b>	<b>SL1</b>	<b>SL0</b>

**Figure 14 Vertical Scroll Control Instruction**

**Table 14 SL Bits and Display-start Raster-row**

<b>SL6</b>	<b>SL5</b>	<b>SL4</b>	<b>SL3</b>	<b>SL2</b>	<b>SL1</b>	<b>SL0</b>	<b>Display-start Raster-row</b>
0	0	0	0	0	0	0	1st raster-row
0	0	0	0	0	0	1	2nd raster-row
0	0	0	0	0	1	0	3rd raster-row
0	0	0	0	0	1	1	4th raster-row
0	0	0	0	1	0	0	5th raster-row
:	:	:	:	:	:	:	:
1	1	1	1	1	1	0	127th raster-row
1	1	1	1	1	1	1	128th raster-row

# HD66750/1

## Horizontal Cursor Position

### Vertical Cursor Position

**HS6-0:** Specify the start position for horizontally displaying the window cursor in a dot unit. The cursor is displayed from the 'set value + 1' dot. Ensure that  $HS6-0 \leq HE6-0$ .

**HE6-0:** Specify the end position for horizontally displaying the window cursor in a dot unit. The cursor is displayed to the 'set value + 1' dot. Ensure that  $HS6-0 \leq HE6-0$ .

**VS6-0:** Specify the start position for vertically displaying the window cursor in a dot unit. The cursor is displayed from the 'set value + 1' dot. Ensure that  $VS6-0 \leq VE6-0$ .

**VE6-0:** Specify the end position for vertically displaying the window cursor in a dot unit. The cursor is displayed to the 'set value + 1' dot. Ensure that  $VS6-0 \leq VE6-0$ . In vertical scrolling, rewrite  $VS6-0$  and  $VE6-0$  since this window cursor does not move vertically.

R/W	RS	DB15	DB14	DB13	DB12	DB11	DB10	DB9	DB8	DB7	DB6	DB5	DB4	DB3	DB2	DB1	DB0
0	1	*	HE6	HE5	HE4	HE3	HE2	HE1	HE0	*	HS6	HS5	HS4	HS3	HS2	HS1	HS0
0	1	*	VE6	VE5	VE4	VE3	VE2	VE1	VE0	*	VS6	VS5	VS4	VS3	VS2	VS1	VS0

Figure 15 Horizontal Cursor Position and Vertical Cursor Position Instructions

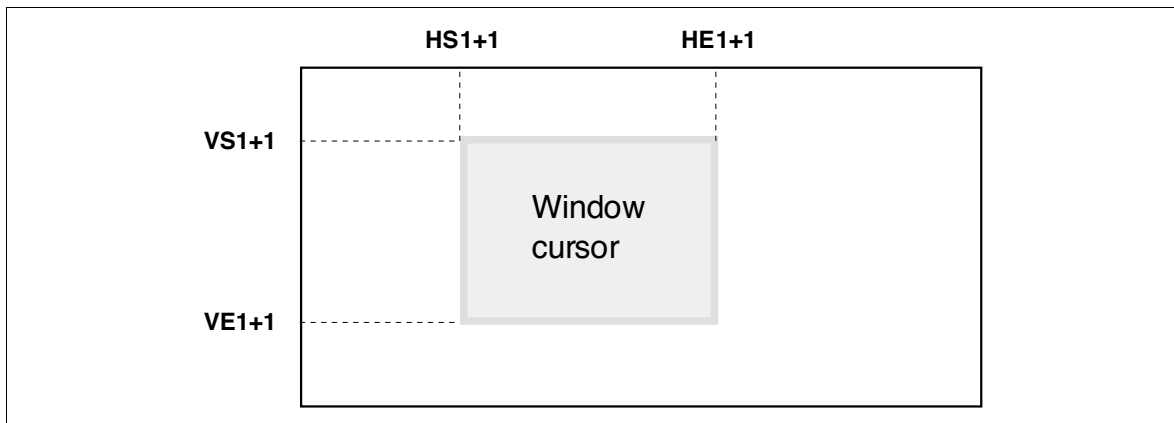


Figure 16 Window Cursor Position

**RAM Write Data Mask**

**WM15-0:** In writing to the CGRAM, these bits mask writing in a bit unit. When WM15 = 1, this bit masks the write data of DB15 and does not write to the CGRAM. Similarly, the WM14–0 bits mask the write data of DB14–0 in a bit unit. However, when AM = 10, the write data is masked with the set values of VM15–0 for the odd-times CGRAM write. It is also masked automatically with the reversed set values of VM15–0 for the even-times CGRAM write. For details, see the Graphics Operation Function section.

R/W	RS	DB15	DB14	DB13	DB12	DB11	DB10	DB9	DB8	DB7	DB6	DB5	DB4	DB3	DB2	DB1	DB0
0	1	VM 15	VM 14	VM 13	VM 12	VM 11	VM 10	VM 9	VM 8	VM 7	VM 6	VM 5	VM 4	VM 3	VM 2	VM 1	VM 0

**Figure 17 RAM Write Data Mask Instruction**

**RAM Address Set**

**AD10-0:** Initially set CGRAM addresses to the address counter (AC). Once the CGRAM data is written, the AC is automatically updated according to the AM1–0 and I/D bit settings. This allows consecutive accesses without resetting addresses. Once the CGRAM data is read, the AC is not automatically updated. CGRAM address setting is not allowed in the sleep mode or standby mode.

R/W	RS	DB15	DB14	DB13	DB12	DB11	DB10	DB9	DB8	DB7	DB6	DB5	DB4	DB3	DB2	DB1	DB0
0	1	*	*	*	*	*	AD 10	AD9	AD8	AD7	AD6	AD5	AD4	AD3	AD2	AD1	AD0

**Figure 18 RAM Address Set Instruction**

**Table 15 AD Bits and CGRAM Settings**

AD10–AD0	CGRAM Setting
"000"H–"00F"H	Bitmap data for COM1
"010"H–"01F"H	Bitmap data for COM2
"020"H–"02F"H	Bitmap data for COM3
"030"H–"03F"H	Bitmap data for COM4
:	:
"760"H–"76F"H	Bitmap data for COM119
"770"H–"77F"H	Bitmap data for COM120
"780"H–"78F"H	121st raster-row data (appeared at vertical scrolling)
"790"H–"79F"H	122nd raster-row data (appeared at vertical scrolling)
"7A0"H–"7AF"H	123rd raster-row data (appeared at vertical scrolling)
"7B0"H–"7BF"H	124th raster-row data (appeared at vertical scrolling)
"7C0"H–"7CF"H	125th raster-row data (appeared at vertical scrolling)
"7D0"H–"7DF"H	126th raster-row data (appeared at vertical scrolling)
"7E0"H–"7EF"H	127th raster-row data (appeared at vertical scrolling)
"7F0"H–"7FF"H	128th raster-row data (appeared at vertical scrolling)

---

## HD66750/1

---

### Write Data to CGRAM

**WD15-0** : Write 16-bit data to the CGRAM. After a write, the address is automatically updated according to the AM1-0 and I/D bit settings. During the sleep and standby modes, the CGRAM cannot be accessed.

R/W	RS	DB15	DB14	DB13	DB12	DB11	DB10	DB9	DB8	DB7	DB6	DB5	DB4	DB3	DB2	DB1	DB0
0	1	WD 15	WD 14	WD 13	WD 12	WD 11	WD 10	WD 9	WD 8	WD 7	WD 6	WD 5	WD 4	WD 3	WD 2	WD 1	WD 0

Figure 19 Write Data to CGRAM Instruction

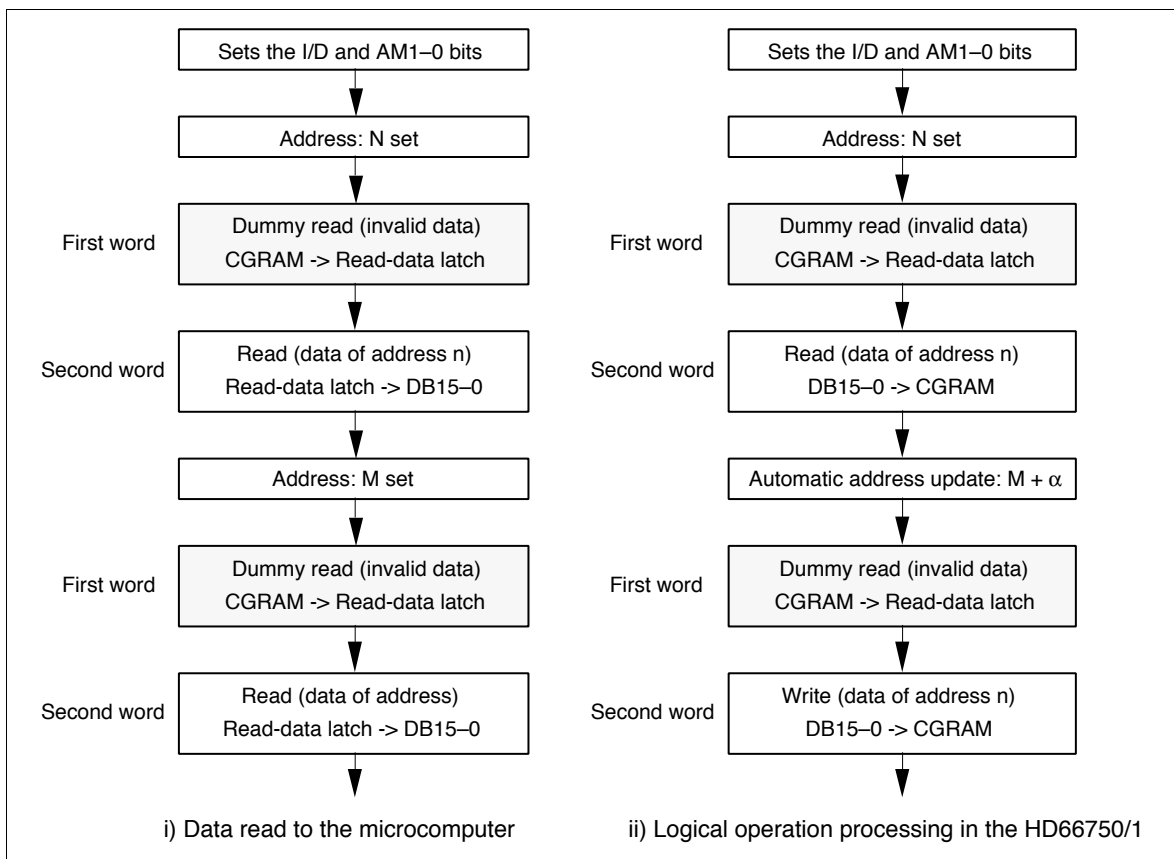
**Read Data from CGRAM**

**RD15-0** : Read 16-bit data from the CGRAM. When the data is read to the microcomputer, the first-word read immediately after the CGRAM address setting is latched from the CGRAM to the internal read-data latch. The data on the data bus (DB15-0) becomes invalid and the second-word read is normal.

When bit processing, such as a logical operation, is performed within the HD66750/1, only one read can be processed since the latched data in the first word is used.

R/W	RS	DB15	DB14	DB13	DB12	DB11	DB10	DB9	DB8	DB7	DB6	DB5	DB4	DB3	DB2	DB1	DB0
1	1	RD 15	RD 14	RD 13	RD 12	RD 11	RD 10	RD 9	RD 8	RD 7	RD 6	RD 5	RD 4	RD 3	RD 2	RD 1	RD 0

**Figure 20 Read Data from CGRAM Instruction**



**Figure 21 CGRAM Read Sequence**

**Table 16 Instruction List**

Reg. No.	Register Name			Upper Code								Lower Code								Description	Execution Cycle
		R/W	RS	DB15	DB14	DB13	DB12	DB11	DB10	DB9	DB8	DB7	DB6	DB5	DB4	DB3	DB2	DB1	DB0		
IR	Index	0	0	*	*	*	*	*	*	*	*	*	*	ID4	ID3	ID2	ID1	ID0	Sets the index register value.	0	
SR	Status read	1	0	0	L6	L5	L4	L3	L2	L1	L0	0	0	C5	C4	C3	C2	C1	C0	Reads the driving raster-row position (L6–0) and contrast setting (C5–0).	0
R00	Start oscillation	0	1	*	*	*	*	*	*	*	*	*	*	*	*	*	*	*	1	Starts the oscillation mode.	10 ms
	Device code read	1	1	0	0	0	0	0	1	1	1	0	1	0	1	0	0	0	0	Reads 0750H.	0
R01	Driver output control	0	1	*	*	*	*	*	*	CMS	SGS	*	CN	*	*	NL3	NL2	NL1	NL0	Sets the common driver shift direction (CMS), segment driver shift direction (SGS), driving duty ratio (NL3–0), and centering (CN).	0
R02	LCD-driving-waveform control	0	1	*	*	*	*	*	*	*	*	B/C	EOR	NW4	NW3	NW2	NW1	NW0	Sets the LCD drive AC waveform (B/C), and EOR output (EOR) or the number of n-raster-rows (NW4–0) at C-pattern AC drive.	0	
R03	Power control	0	1	*	*	*	BS2	BS1	BS0	BT1	BT0	*	*	DC1	DC0	AP1	AP0	SLP	STB	Sets the sleep mode (SLP), standby mode (STB), LCD power on (AP1–0), boosting cycle (DC1–0), boosting output multiplying factor (BT1–0), and LCD drive bias value (BS2–0).	0
R04	Contrast control	0	1	*	*	*	*	*	*	*	*	*	*	CT5	CT4	CT3	CT2	CT1	CT0	Sets the contrast adjustment (CT5–0).	0
R05	Entry mode	0	1	*	*	*	*	*	*	*	*	*	*	I/D	AM1	AM0	LG1	LG0	Specifies the logical operation (LG1–0), AC counter mode (AM1–0), and increment/decrement mode (I/D).	0	
R06	Rotation	0	1	*	*	*	*	*	*	*	*	*	*	*	*	RT2	RT1	RT0	Specifies the amount of write-data rotation (RT2–0).	0	
R07	Display control	0	1	*	*	*	*	*	*	*	*	*	*	PS1	PS0	DHE	GS	REV	D	Specifies display on (D), black-and-white reversed display (REV), grayscale mode (GS), double-height display on (DHE), and partial scroll (PS1–0).	0
R08	Cursor control	0	1	*	*	*	*	*	*	*	*	*	*	*	*	C	CM1	CM0	Specifies cursor display on (C) and cursor display mode (CM1–0).		
R09	Double-height display position	0	1	*	DE6	DE5	DE4	DE3	DE2	DE1	DE0	*	DS6	DS5	DS4	DS3	DS2	DS1	DS0	Specifies double-height display start (DS6–0) and end (DE6–0).	0
R0A	Vertical scroll	0	1	*	*	*	*	*	*	*	*	*	SL6	SL5	SL4	SL3	SL2	SL1	SL0	Sets the display-start raster-row (SL6–0).	0
R0B	Horizontal cursor position	0	1	*	HE6	HE5	HE4	HE3	HE2	HE1	HE0	*	HS6	HS5	HS4	HS3	HS2	HS1	HS0	Sets horizontal cursor start (HS6–0) and end (HE6–0).	0
R0C	Vertical cursor position	0	1	*	VE6	VE5	VE4	VE3	VE2	VE1	VE0	*	VS6	VS5	VS4	VS3	VS2	VS1	VS0	Sets vertical cursor start (VS6–0) and end (VE6–0).	0
R10	RAM write data mask	0	1	WM	WM	WM	WM	WM	WM	WM9	WM8	WM7	WM6	WM5	WM4	WM3	WM2	WM1	WM0	Specifies write data mask (WM15–0) at RAM write.	0
R11	RAM address set	0	1	*	*	*	*	*	AD10–8 (upper)			AD7–0 (lower)						Initially sets the RAM address to the address counter (AC).	0		
R12	RAM data write	0	1	Write data (upper)								Write data (lower)								Writes data to the RAM.	0
	RAM data read	1	1	Read data (upper)								Read data (lower)								Reads data from the RAM.	0

Note: '\*' means 'doesn't matter'.

## **Reset Function**

The HD66750/1 is internally initialized by RESET input. Because the busy flag (BF) indicates a busy state (BF = 1) during the reset period, no instruction or CGRAM data access from the MPU is accepted. The reset input must be held for at least 1 ms. Do not access the CGRAM or initially set the instructions until the R-C oscillation frequency is stable after power has been supplied (10 ms).

### **Instruction Set Initialization:**

1. Start oscillation executed
2. Driver output control (CN = 0, NL3-0 = 1111, SGS = 0, CMS = 0)
3. B-pattern waveform AC drive (B/C = 0, ECR = 0, NW4-0 = 00000)
4. Power control (DC1-0 = 00, AP1-0 = 00: LCD power off, SLP = 0: Sleep mode off, STB = 0: Standby mode off)
5. 1/11 bias drive (BS2-0 = 000), Two-times boost (BT1-0 = 00), Weak contrast (CT5-0 = 000000)
6. Entry mode set (I/D = 1: Increment by 1, AM1-0 = 00: Horizontal move, LG1-0 = 00: Replace mode)
7. Rotation (RT2-0 = 000: No shift)
8. Display control (DHE = 0: Double-height display off, REV = 0, GS = 0, D = 0: Display off, PS1-0 = 00: Partial scroll off)
9. Cursor control (C = 0: Cursor display off, CM1-0 = 00: White blink cursor)
10. Double-height display position (DS6-0 = 0000000, DE6-0 = 0000000)
11. Vertical scroll control (SL6-0 = 0000000: First raster-row displayed at the top)
12. Window cursor display position (HS6-0 = HE6-0 = VS6-0 = VE6-0 = 0000000)
13. RAM write data mask (WM15-0 = 0000H: No mask)
14. RAM address set (AD10-0 = 000H)

### **CGRAM Data Initialization:**

This is not automatically initialized by reset input but must be initialized by software while display is off (D = 0).

### **Output Pin Initialization:**

1. LCD driver output pins (SEG/COM): Outputs GND level
2. Booster output pins (VLOUT): Outputs Vcc level
3. Oscillator output pin (OSC2): Outputs oscillation signal

---

# HD66750/1

---

## Parallel Data Transfer

### 16-bit Bus Interface

Setting the IM2-0 (interface mode) to the GND/GND level allows 68-system E-clock-synchronized 16-bit parallel data transfer. Setting the IM1/0 to the Vcc/GND level allows 80-system 16-bit parallel data transfer. When the number of buses or the mounting area is limited, use an 8-bit bus interface.

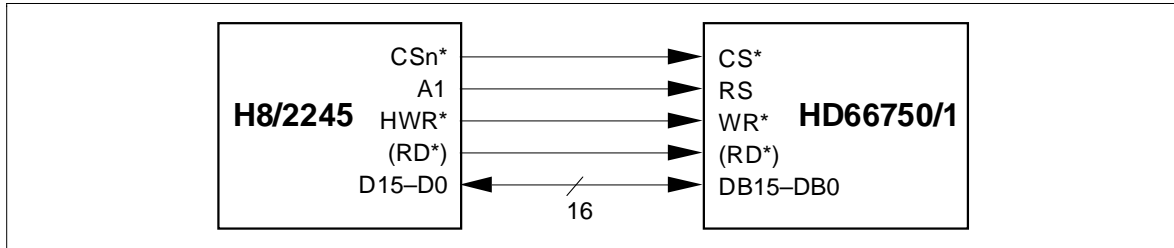


Figure 22 Interface to 16-bit Microcomputer

### 8-bit Bus Interface

Setting the IM1/0 (interface mode) to the GND/Vcc level allows 68-system E-clock-synchronized 8-bit parallel data transfer using pins DB15-DB8. Setting the IM1/0 to the Vcc/Vcc level allows 80-system 8-bit parallel data transfer. The 16-bit index register, instructions and RAM data are divided into eight upper/lower bits and the transfer starts from the upper eight bits. Fix unused pins DB7-DB0 to the Vcc or GND level.

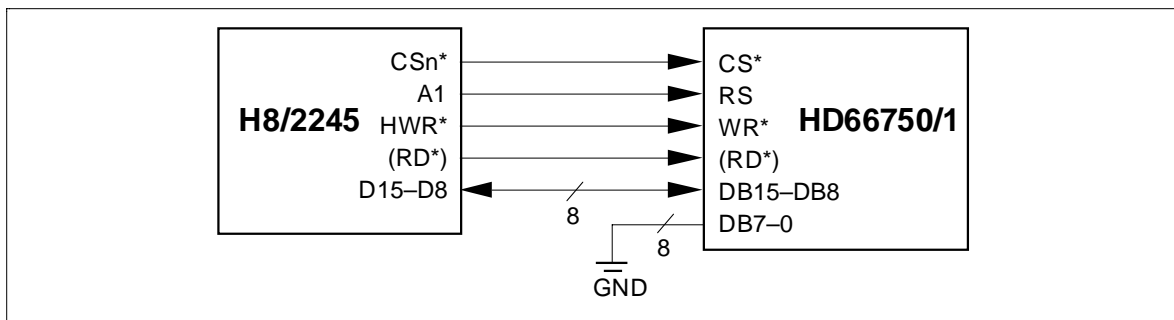


Figure 23 Interface to 8-bit Microcomputer

Note: Transfer synchronization function for an 8-bit bus interface

The HD66750/1 supports the transfer synchronization function which resets the upper/lower counter to count upper/lower 8-bit data transfer in the 8-bit bus interface. Noise causing transfer mismatch between the eight upper and lower bits can be corrected by a reset triggered by consecutively writing a 00H instruction four times. The next transfer starts from the upper eight bits. Executing synchronization function periodically can recover any runaway in the display system.



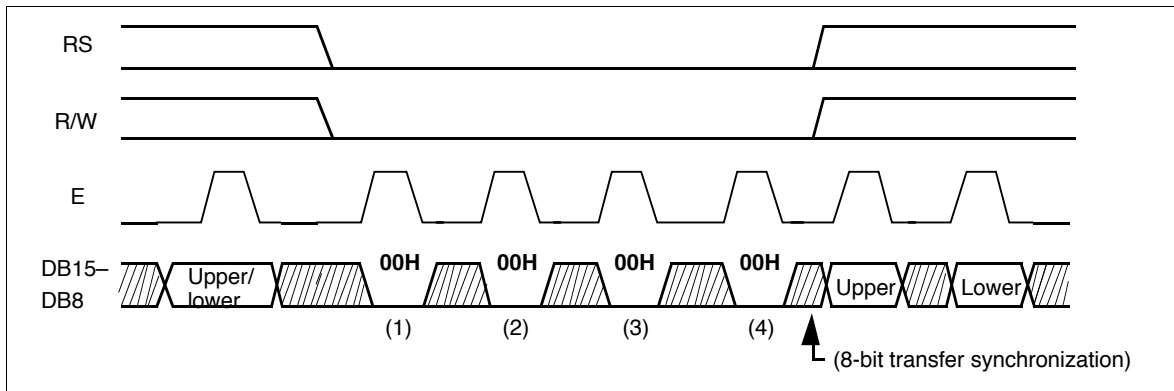


Figure 24 8-bit Transfer Synchronization

---

## HD66750/1

---

### Graphics Operation Function

The HD66750/1 can greatly reduce the load of the microcomputer graphics software processing through the 16-bit bus architecture and graphics-bit operation function. This function supports the following:

1. A write data mask function that selectively rewrites some of the bits in the 16-bit write data.
2. A bit rotation function that shifts and writes the data sent from the microcomputer in a bit unit.
3. A logical operation function that writes the data sent from the microcomputer and the original RAM data by a logical operation.

Since the display data in the graphics RAM (CGRAM) can be quickly rewritten, the load of the microcomputer processing can be reduced in the large display screen when a font pattern, such as kanji characters, is developed for any position (BiTBLT processing).

The graphics bit operation can be controlled by combining the entry mode register, the bit set value of the RAM-write-data mask register, and the read/write from the microcomputer.

**Table 17 Graphics Operation**

Operation Mode	Bit Setting			Operation and Usage
	I/D	AM	LG	
Write mode 1	0/1	00	00	Horizontal data replacement, horizontal-border drawing
Write mode 2	0/1	01	00	Vertical data replacement, font development, vertical-border drawing
Write mode 3	0/1	10	00	Vertical data replacement with two-word width, kanji-font development
Read/write mode 1	0/1	00	01 10 11	Horizontal data replacement with logical operation, horizontal-border drawing
Read/write mode 2	0/1	01	01 10 11	Vertical data replacement with logical operation, vertical-border drawing
Read/write mode 3	0/1	10	01 10 11	Horizontal data replacement with two-word-width logical operation

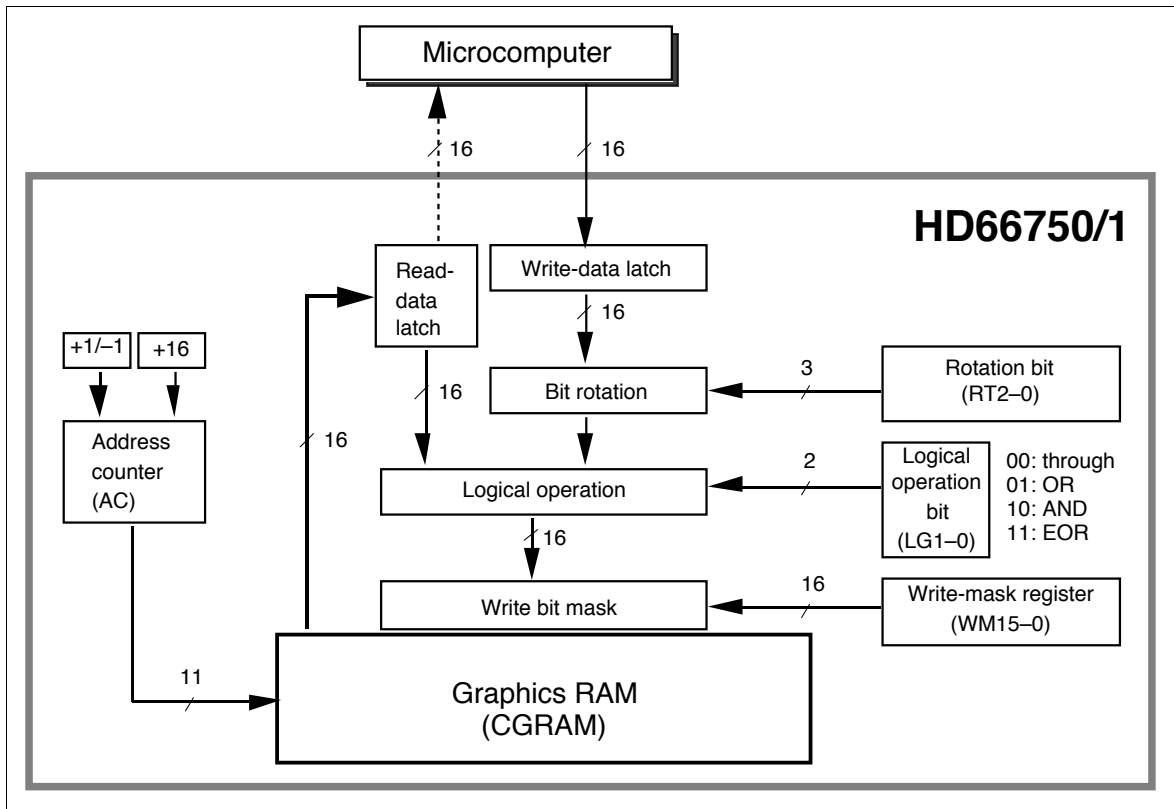
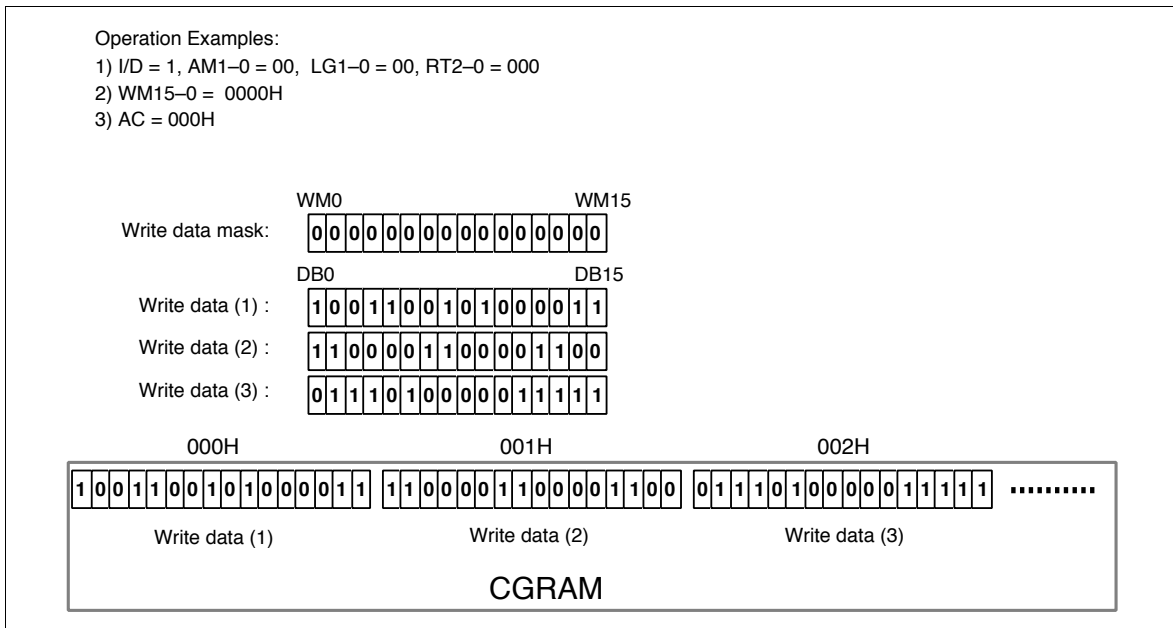


Figure 25 Data Processing Flow of the Graphics Bit Operation

1. Write mode 1: AM1-0 = 00, LG1-0 = 00

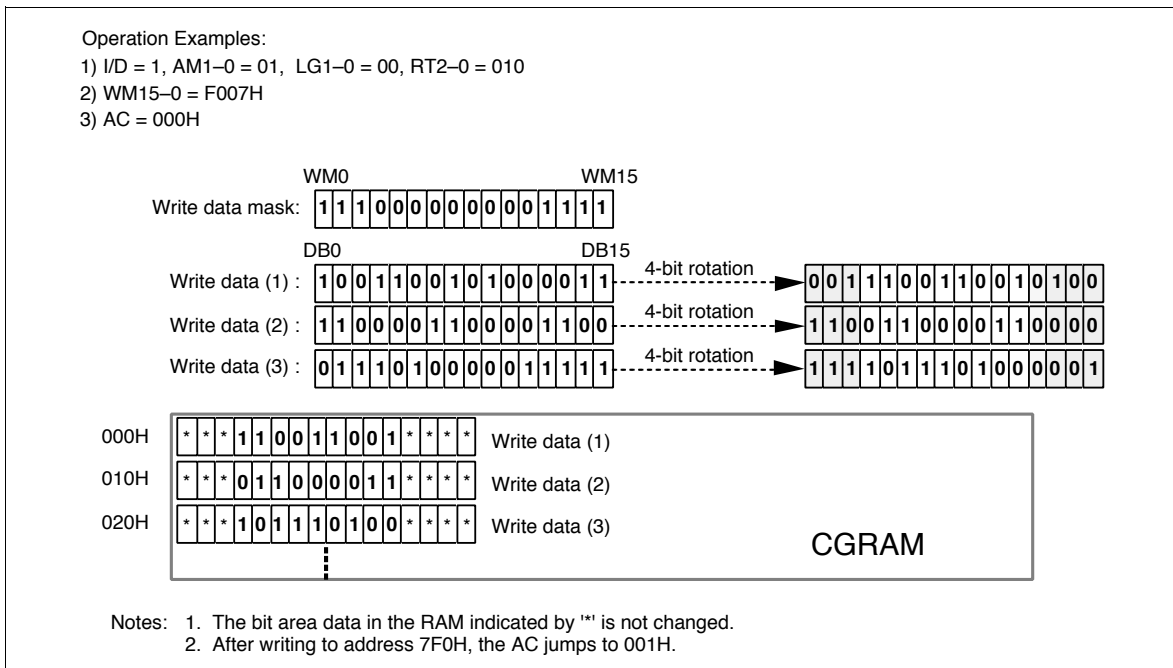
This mode is used when the data is horizontally written at high speed. It can also be used to initialize the graphics RAM (CGRAM) or to draw borders. The rotation function (RT2-0) or write-data mask function (WM15-0) are also enabled in these operations. After writing, the address counter (AC) automatically increments by 1 (I/D = 1) or decrements by 1 (I/D = 0), and automatically jumps to the counter edge one-raster-row below after it has reached the left edge of the graphics RAM.



**Figure 26 Writing Operation of Write Mode 1**

2. Write mode 2: AM1-0 = 01, LG1-0 = 00

This mode is used when the data is vertically written at high speed. It can also be used to initialize the graphics RAM (CGRAM), develop the font pattern in the vertical direction, or draw borders. The rotation function (RT2-0) or write-data mask function (WM15-0) are also enabled in these operations. After writing, the address counter (AC) automatically increments by 16, and automatically jumps to the upper-right edge (I/D = 1) or upper-left edge (I/D = 0) following the I/D bit after it has reached the lower edge of the graphics RAM.



**Figure 27 Writing Operation of Write Mode 2**

3. Write mode 3: AM1-0 = 10, LG1-0 = 00

This mode is used when the data is written at high speed by vertically shifting bits. It can also be used to write the 16-bit data for two words into the graphics RAM (CGRAM), develop the font pattern, or transfer the BiTBLT as a bit unit. The rotation function (RT2-0) or write-data mask function (WM15-0) are also enabled in these operation. However, although the write-data mask function masks the bit position set with the write-data mask register (WM15-0) at the odd-times (such as the first or third) write, the function masks the bit position that reversed the setting value of the write-data mask register (WM15-0) at the even-times (such as the second or fourth) write. After the odd-times writing, the address counter (AC) automatically increments by 1 (I/D = 1) or decrements by 1 (I/D = 0). After the even-times writing, the AC automatically increments or decrements by -1 + 16 (I/D = 1) or +1 + 16 (I/D = 0). The AC automatically jumps to the upper edge after it has reached the lower edge of the graphics RAM.

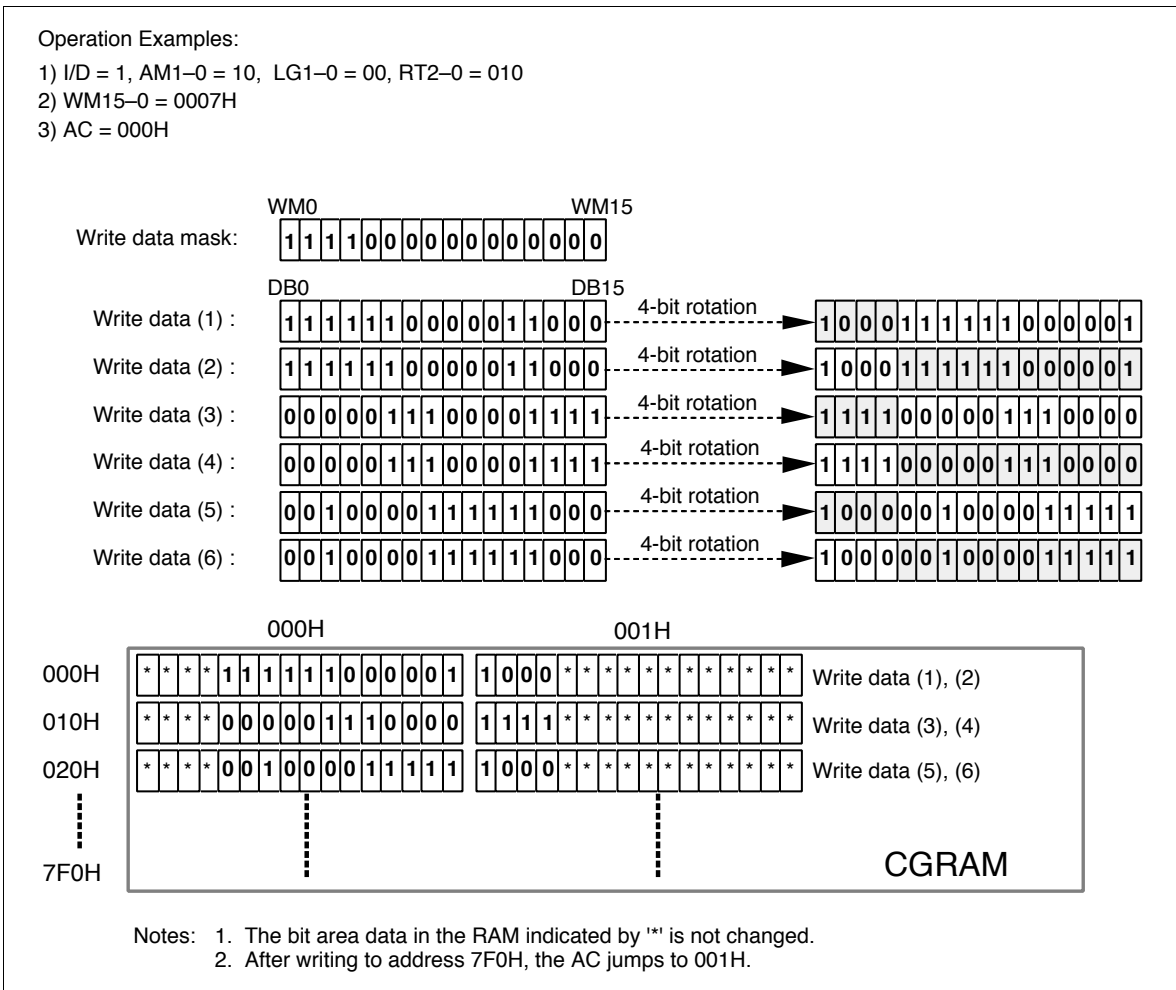


Figure 28 Writing Operation of Write Mode 3

## HD66750/1

### 4. Read/Write mode 1: AM1-0 = 00, LG1-0 = 01/10/11

This mode is used when the data is horizontally written at high speed by performing a logical operation with the original data. It reads the display data (original data), which has already been written in the graphics RAM (CGRAM), performs a logical operation with the write data sent from the microcomputer, and rewrites the data to the CGRAM. This mode can read the data during the same bus cycle as for the write operation since the read operation of the original data does not latch the read data into the microcomputer and temporarily holds it in the read-data latch. The rotation function (RT2-0) or write-data mask function (WM15-0) are also enabled in these operations. After writing, the address counter (AC) automatically increments by 1 (I/D = 1) or decrements by 1 (I/D = 0), and automatically jumps to the counter edge one-raster-row below after it has reached the left or right edges of the graphics RAM.

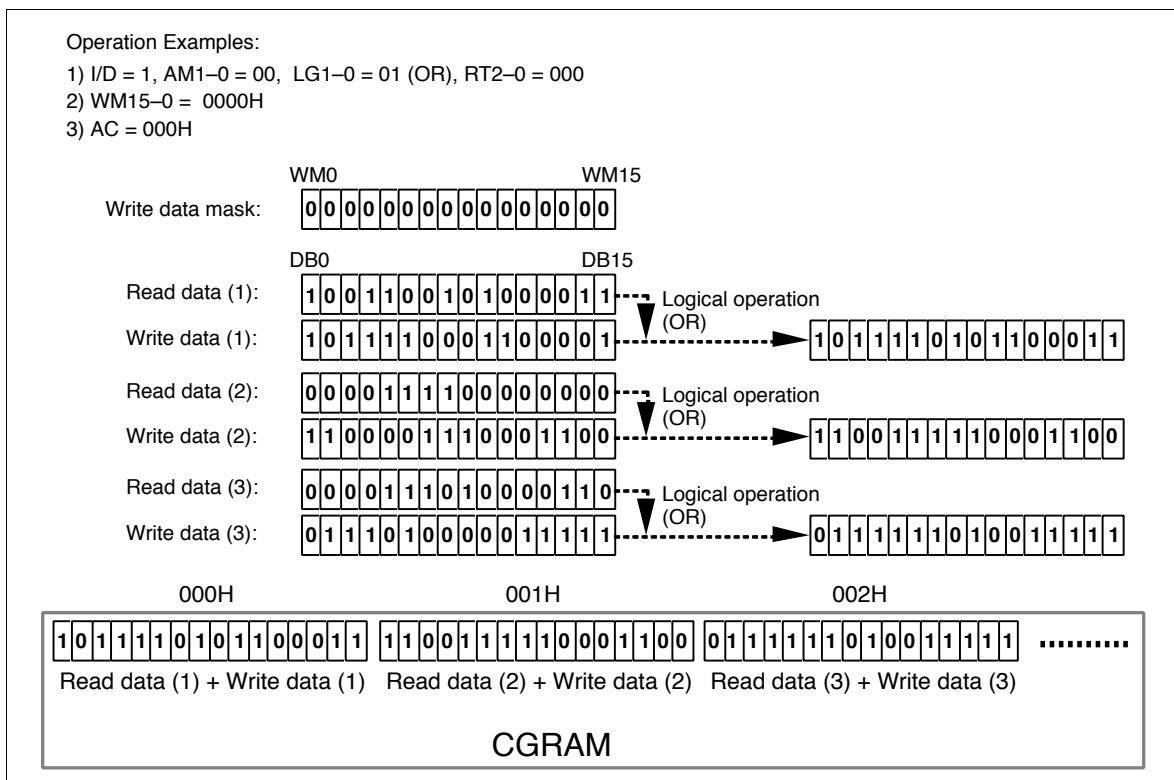


Figure 29 Writing Operation of Read/Write Mode 1

### 5. Read/Write mode 2: AM1-0 = 01, LG1-0 = 01/10/11

This mode is used when the data is vertically written at high speed by performing a logical operation with the original data. It reads the display data (original data), which has already been written in the graphics RAM (CGRAM), performs a logical operation with the write data sent from the microcomputer, and rewrites the data to the CGRAM. This mode can read the data during the same bus cycle as for the write operation since the read operation of the original data does not latch the read data into the microcomputer and temporarily holds it in the read-data latch. The rotation function (RT2-0) or write-data mask function (WM15-0) are also enabled in these operations. After writing, the address counter (AC) automatically increments by 16, and automatically jumps to the upper-right edge (I/D = 1) or upper-left edge (I/D = 0) following the I/D bit after it has reached the lower edge of the graphics RAM.

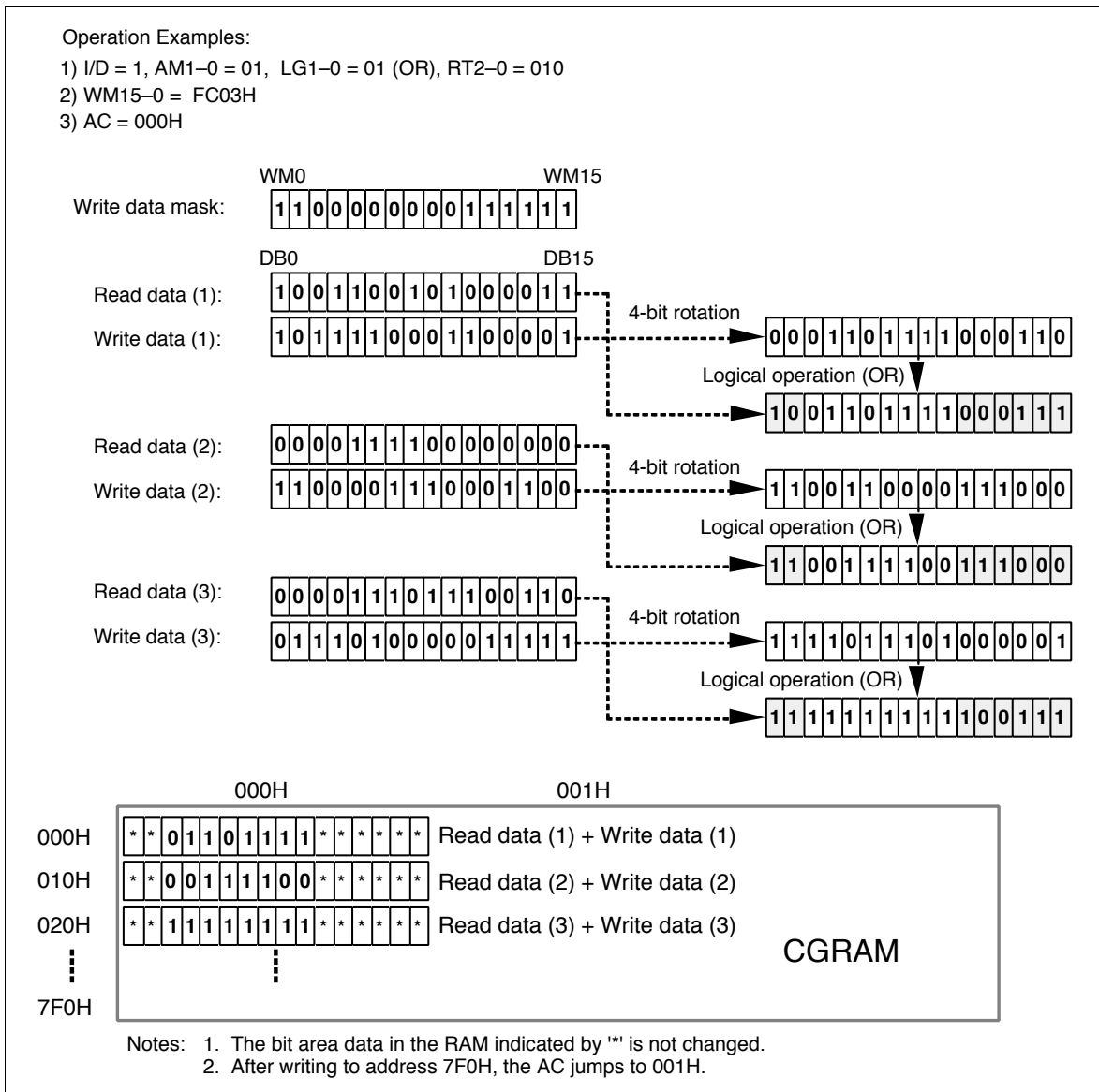


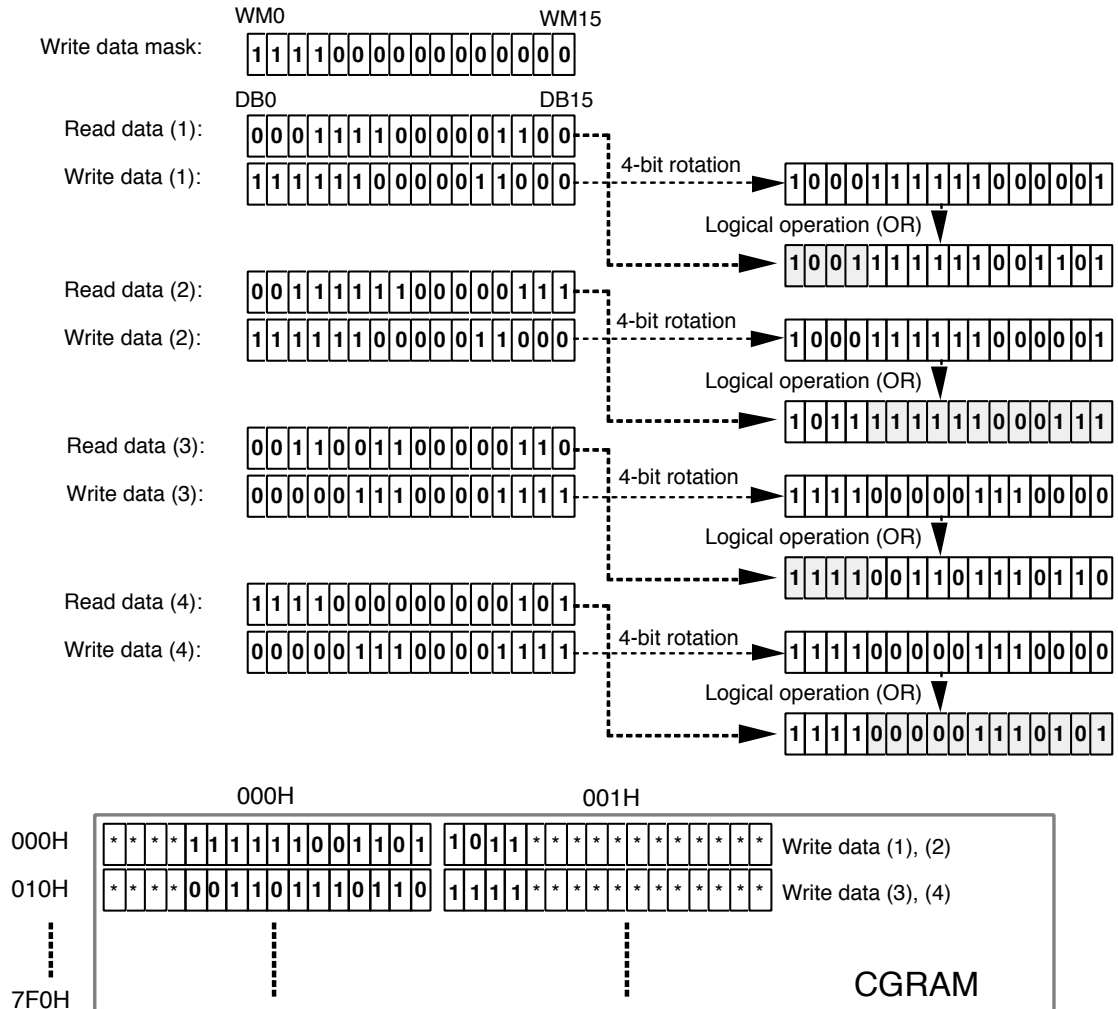
Figure 30 Writing Operation of Read/Write Mode 2

6. Read/Write mode 3: AM1-0 = 10, LG1-0 = 01/10/11

This mode is used when the data is written with high speed by vertically shifting bits and by performing logical operation with the original data. It can be also used to write the 16-bit data for two words into the graphics RAM (CGRAM), develop the font pattern, or transfer the BiTBLT as a bit unit. This mode can read the data during the same bus cycle as for the write operation since the read operation of the original data does not latch the read data into the microcomputer and temporarily holds it in the read-data latch. The rotation function (RT2-0) or write-data mask function (WM15-0) are also enabled in these operations. However, although the write-data mask function masks the bit position set with the write-data mask register (WM15-0) at the odd-times (such as the first or third) write, the function masks the bit position which reversed the setting value of the write-data mask register (WM15-0) at the even-times (such as the second or fourth) write. After the odd-times writing, the address counter (AC) automatically increments by 1 (I/D = 1) or decrements by 1 (I/D = 0). After the even-times writing, the AC automatically increments or decrements by -1 + 16 (I/D = 1) or +1 + 16 (I/D = 0). The AC automatically jumps to the upper edge after it has reached the lower edge of the graphics RAM.

Operation Examples:

- 1) I/D = 1, AM1-0 = 10, LG1-0 = 01, RT2-0 = 010
- 2) WM15-0 = 000FH
- 3) AC = 000H



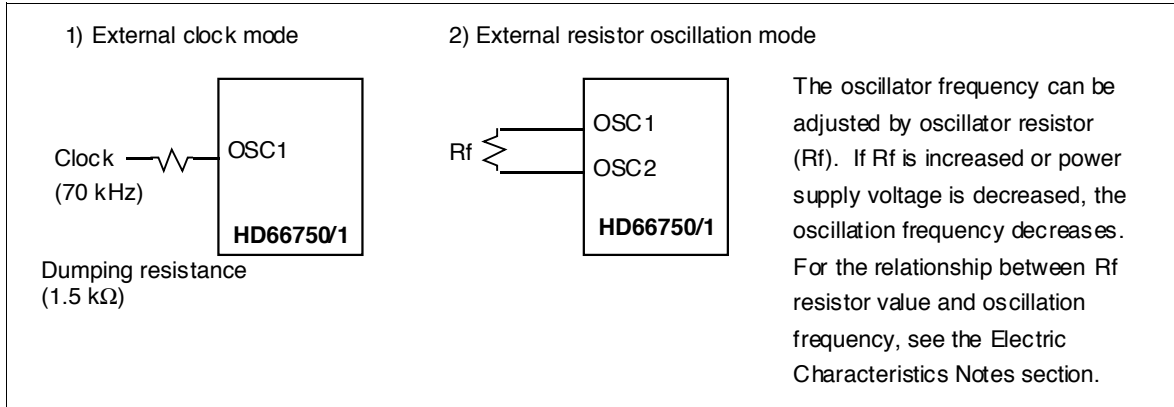
- Notes: 1. The bit area data in the RAM indicated by '\*' is not changed.  
 2. After writing to address 7F0H, the AC jumps to 001H.

**Figure 31 Writing Operation of Read/Write Mode 3**



**Oscillation Circuit**

The HD66750/1 can either be supplied with operating pulses externally (external clock mode) or oscillate using an internal R-C oscillator with an external oscillator-resistor (external resistor oscillation mode). Note that in R-C oscillation, the oscillation frequency is changed according to the internal capacitance value, the external resistance value, or operating power-supply voltage.



**Figure 32 Oscillation Circuits**

**Table 18 Relationship between Liquid Crystal Drive Duty Ratio and Frame Frequency**

LCD Duty	NL3-0 Set Value	Recommended Drive Bias Value	Frame Frequency	One-frame Clock
1/16	0001	1/6	70 Hz	1024
1/24	0010	1/6	70 Hz	1032
1/32	0011	1/6	70 Hz	1024
1/40	0100	1/7	69 Hz	1040
1/48	0101	1/8	71 Hz	1008
1/56	0110	1/8	71 Hz	1008
1/64	0111	1/9	70 Hz	1024
1/72	1000	1/9.5	71 Hz	1008
1/80	1001	1/10	69 Hz	1040
1/88	1010	1/10	68 Hz	1056
1/96	1011	1/10	68 Hz	1056
1/104	1100	1/11	69 Hz	1040
1/112	1101	1/11	71 Hz	1008
1/120	1110	1/11	67 Hz	1080
1/128	1111	1/11	70 Hz	1024

Note: The frame frequency above is for 72-kHz operation and proportions the oscillation frequency (fosc).

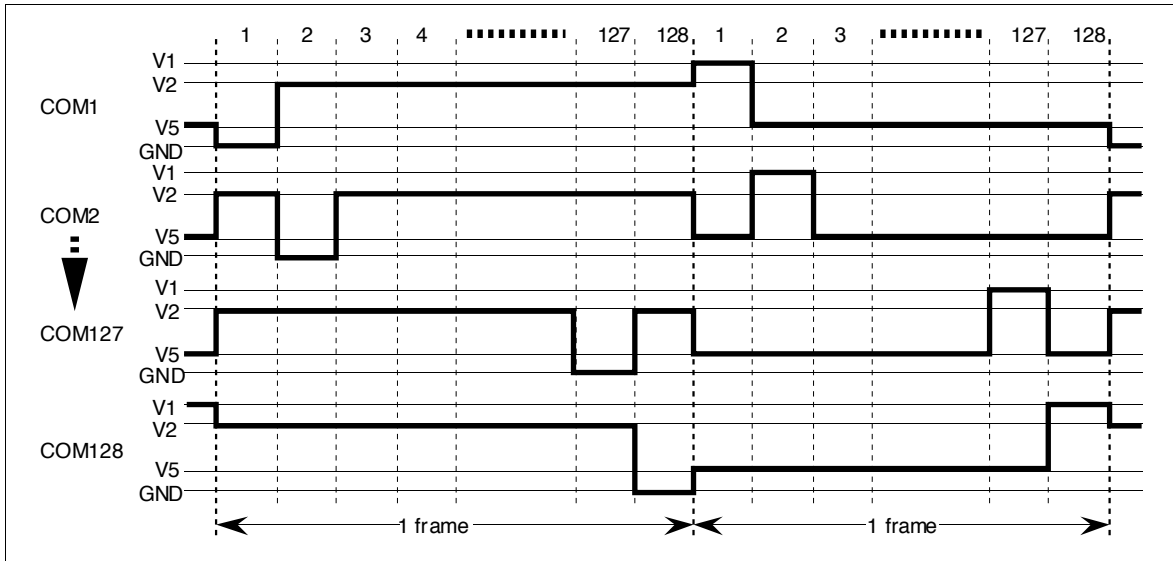
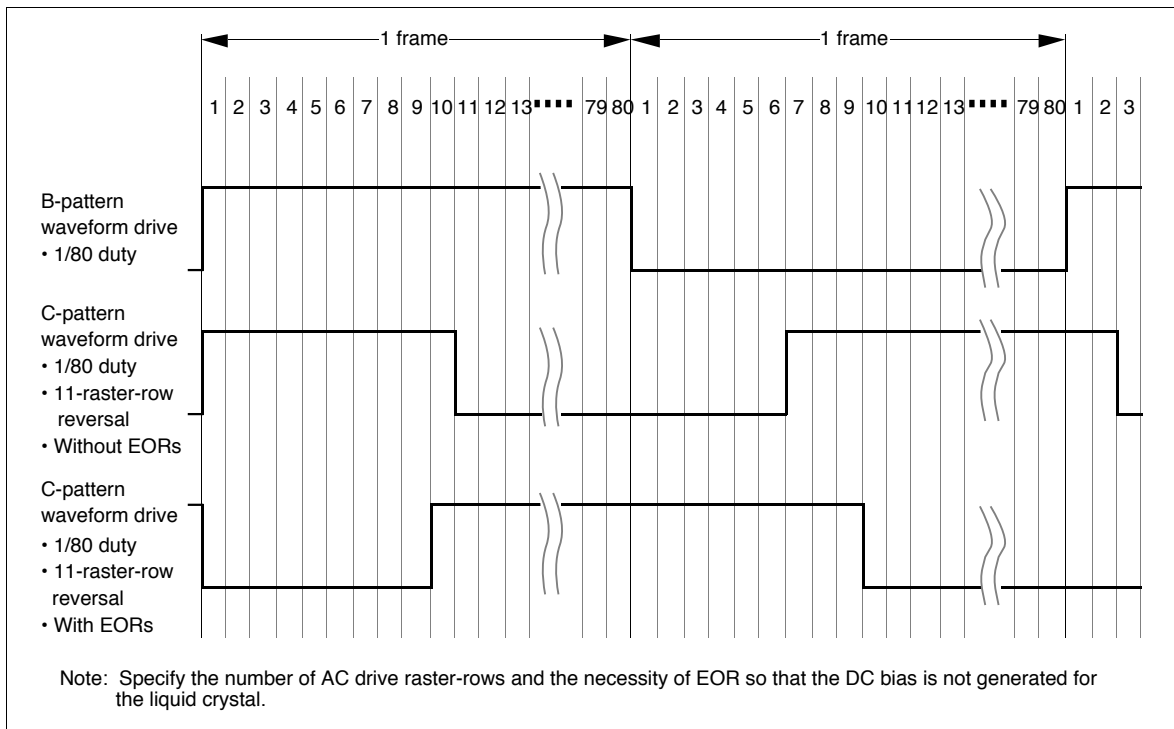


Figure 33 LCD Drive Output Waveform (B-pattern AC Drive with 1/128 Multiplexing Duty Ratio)

**n-raster-row Reversed AC Drive**

The HD66750/1 supports not only the LCD reversed AC drive in a one-frame unit (B-pattern waveform) but also the n-raster-row reversed AC drive which alternates in an n-raster-row unit from one to 32 raster-rows (C-pattern waveform). When a problem affecting display quality occurs, such as crosstalk at high-duty driving of more than 1/64 duty, the n-raster-row reversed AC drive (C-pattern waveform) can improve the quality. Determine the number of raster-rows n (NWbit set value + 1) for alternating after confirmation of the display quality with the actual LCD panel. However, if the number of AC raster-rows is reduced, the LCD alternating frequency becomes high. Because of this, the charge or discharge current is increased in the LCD cells.



**Figure 34 Example of an AC Signal under n-raster-row Reversed AC Drive**

## **Liquid Crystal Display Voltage Generator**

### **When External Power Supply and Internal Operational Amplifiers are Used**

To supply LCD drive voltage directly from the external power supply without using the internal booster, circuits should be connected as shown in figure 35. Here, contrast can be adjusted by software through the CT bits of the contrast adjustment register.

The HD66750/1 incorporates a voltage-follower operational amplifier for each V1 to V5 to reduce current flowing through the internal bleeder-resistors, which generate different levels of liquid-crystal drive voltages. Thus, potential difference between  $V_{LCD}$  and V1 must be 0.1 V or higher, and that between V4 and GND must be 1.4 V or higher. Note that the OPOFF pin must be grounded when using the operational amplifiers. Place a capacitor of about 0.47  $\mu$ F (B characteristics) between each internal operational amplifier (V1OUT to V5OUT outputs) and GND and stabilize the output level of the operational amplifier. Adjust the capacitance value of the stabilized capacitor after the LCD panel has been mounted and the screen quality has been confirmed.

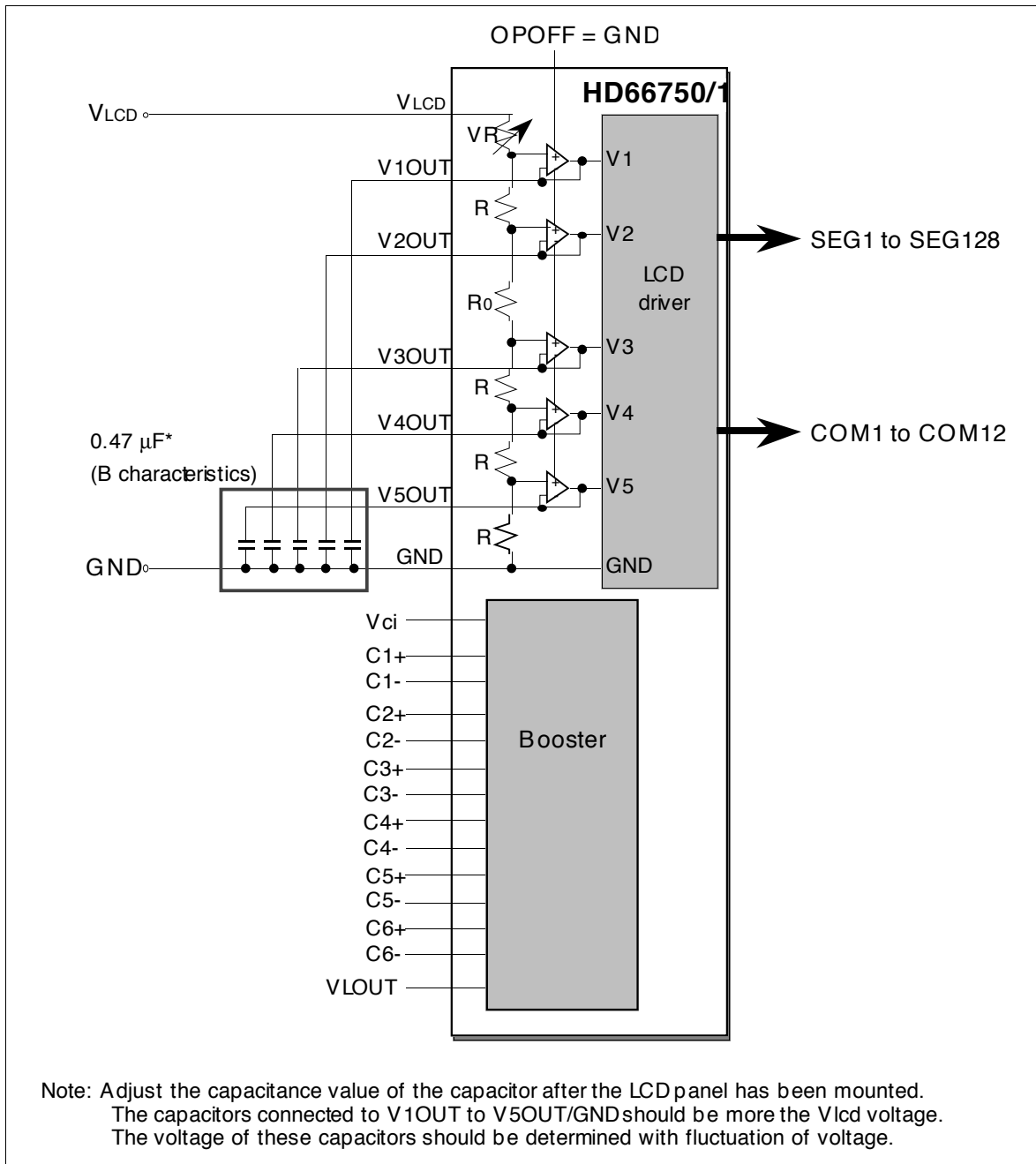


Figure 35 External Power Supply Circuit for LCD Drive Voltage Generation

**When an Internal Booster and Internal Operational Amplifiers are Used**

To supply LCD drive voltage using the internal booster, circuits should be connected as shown in figure 36. Here, contrast can be adjusted through the CT bits of the contrast control instruction. Temperature can be compensated either through the CT bits or by controlling the reference voltage for the booster (Vci pin) using a thermistor.

Note that Vci is both a reference voltage and power supply for the booster. The reference voltage must therefore be adjusted using an emitter-follower or a similar element so that sufficient current can be supplied. In this case, Vci must be equal to or smaller than the VCC level.

---

## **HD66750/1**

---

The HD66750/1 incorporates a voltage-follower operational amplifier for each of V1 to V5 to reduce current flowing through the internal bleeder-resistors, which generate different liquid-crystal drive voltages. Thus, potential difference between  $V_{LCD}$  and V1 must be 0.1 V or higher, and that between V4 and GND must be 1.4 V or higher. Note that the OPOFF pin must be grounded when using the operational amplifiers. Place a capacitor of about 0.47  $\mu$ F (B characteristics) between each internal operational amplifier (V1OUT to V5OUT outputs) and GND and stabilize the output level of the operational amplifier. Adjust the capacitance value of the stabilized capacitor after the LCD panel has been mounted and the screen quality has been confirmed.

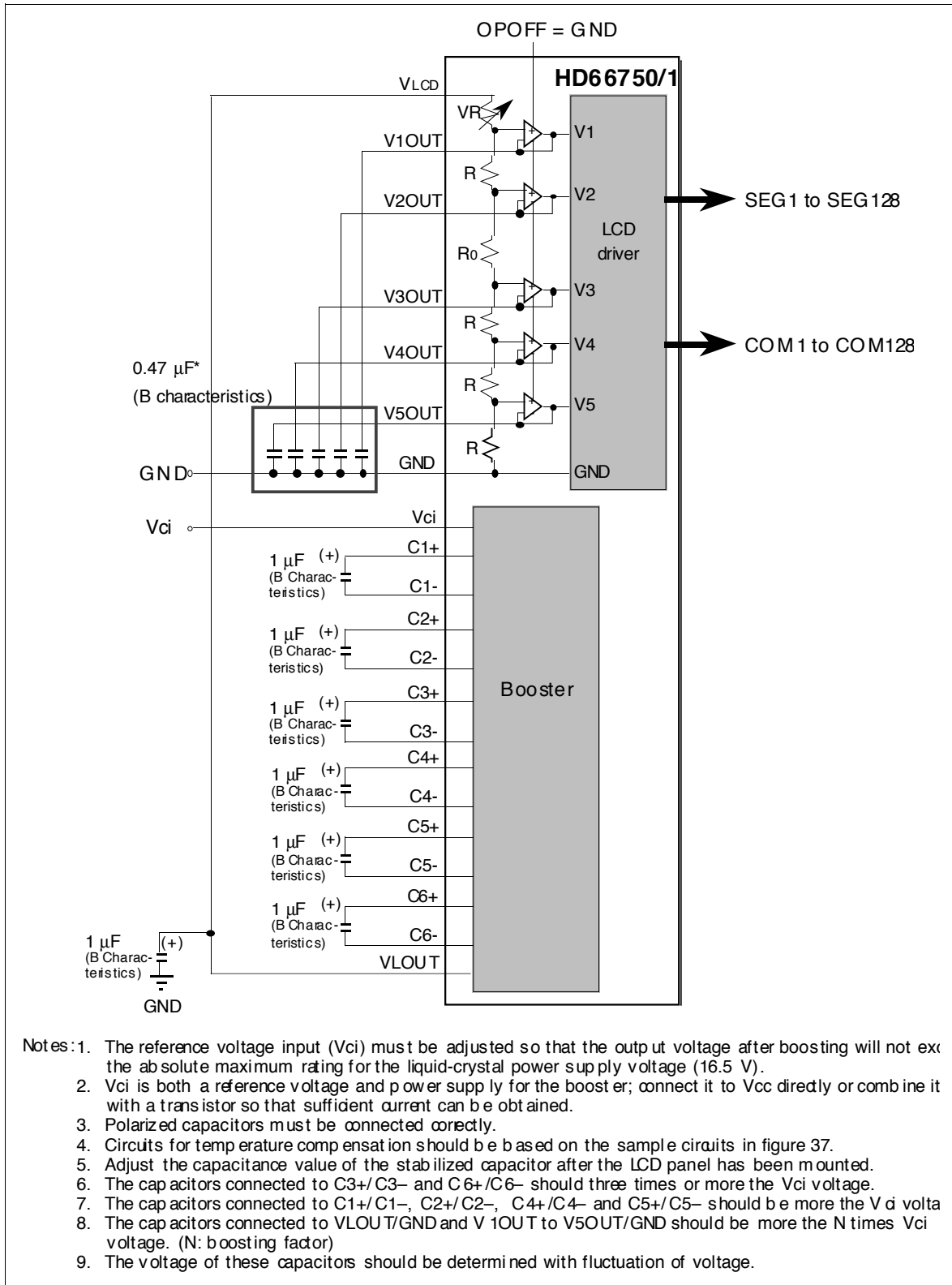
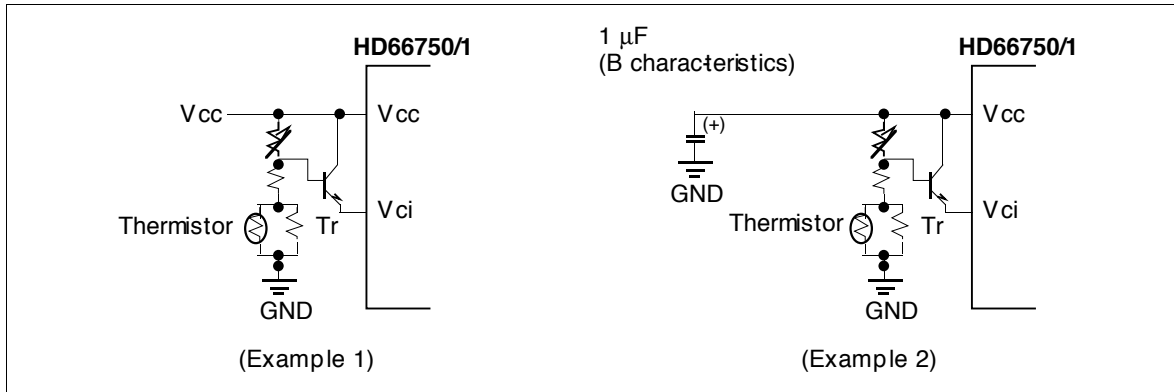


Figure 36 Internal Booster for LCD Drive Voltage Generation



**Figure 37 Temperature Compensation Circuits**

**Switching the Boosting Factor**

Instruction bits (BT1/0 bits) can optionally select the boosting factor of the internal booster. According to the display status, power consumption can be reduced by changing the LCD drive duty and the LCD drive bias, and by controlling the boosting factor for the minimum requirements. For details, see the Partial-display-on Function section.

Because of the maximum boosting factor, external capacitors need to be connected. For example, when the maximum boosting is six times or five times, capacitors between C6+ and C6- or between C5+ and C5- are needed as well, as in the case of the seven-times boosting. When the boosting is two-times boosting, capacitors between C1+ and C1- or between C4+ and C4- are not needed.

Place a capacitor with a voltage of three times or more the Vci-GND voltage between C6+ and C6- and between C3+ and C3-, and a capacitor with a voltage larger than the Vci-GND voltage between C1+ and C1-, C2+ and C2-, C4+ and C4-, and C5+ and C5-.

Place a capacitor with a voltage of N times the Vci-GND voltage between VLOUT and GND. (N: boosting factor)

Note that each capacitors with a voltage should be determined with a voltage fluctuation.

**Table 19 VLOUT Output Status**

<b>BT1</b>	<b>BT0</b>	<b>VLOUT Output Status</b>
0	0	Two-times boosting output
0	1	Five-times boosting output
1	0	Six-times boosting output
1	1	Seven-times boosting output



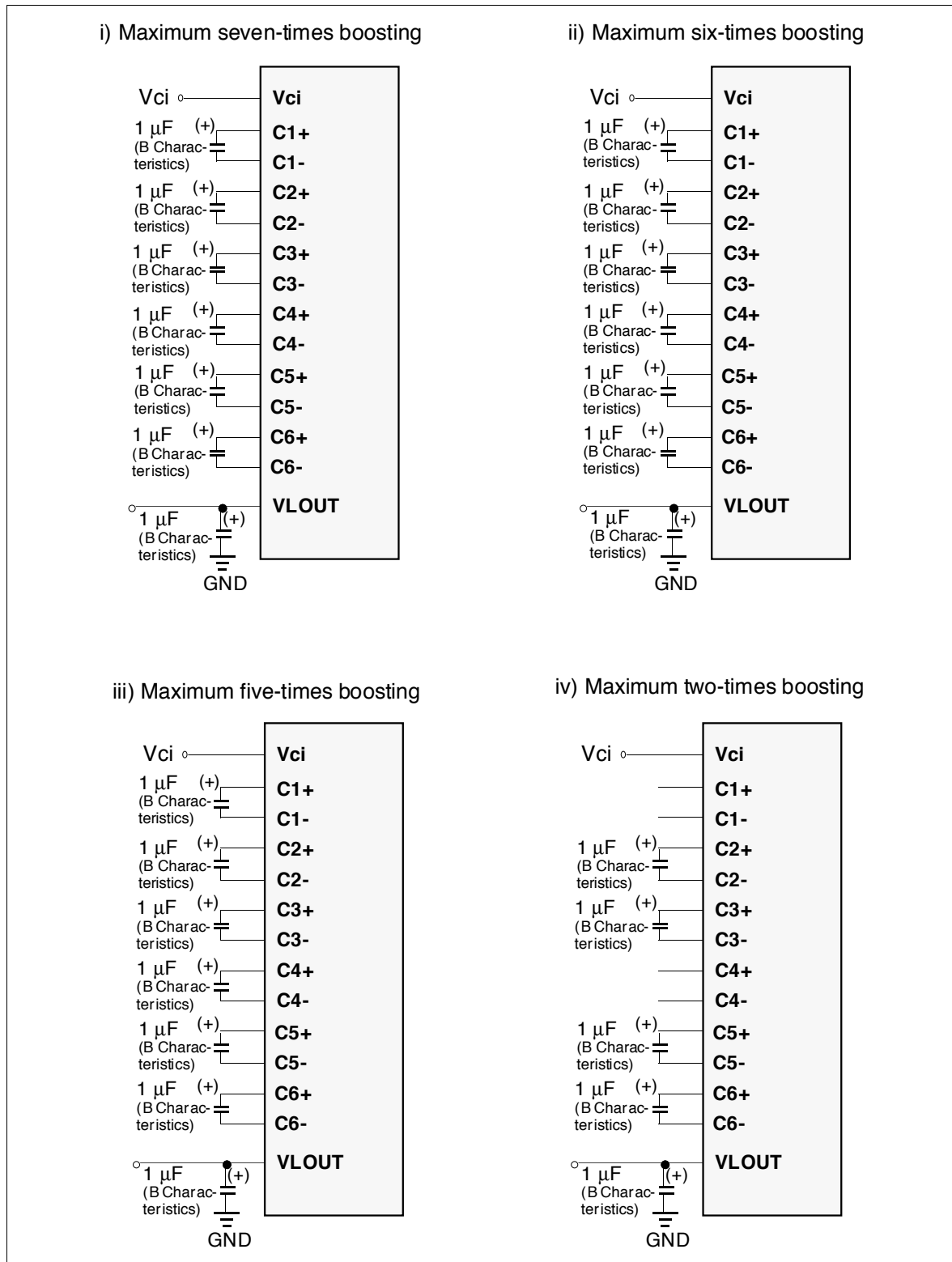


Figure 38 Booster Output Factor Switching

# HD66750/1

## Example of Power-supply Voltage Generator for More Than Seven-times Boosting Output

The HD66750/1 incorporates a booster for up to seven-times boosting. However, the LCD drive voltage (VLCD) will not be enough for seven-times boosting from  $V_{cc}$  when the power-supply voltage of  $V_{cc}$  is low or when the LCD drive voltage is high for the high-contrast LCD display. In this case, the reference voltage ( $V_{ci}$ ) for boosting can be set higher than the power-supply voltage of  $V_{cc}$ .

When the boosting factor is high, the current driving ability is lowered and insufficient display quality may result. In this case, the boosting ability can be improved by decreasing the boosting factor as shown in the booster in figure 39.

Set the  $V_{ci}$  input voltage for the booster to 3.6 V or less within the range of  $V_{cc} + 1.0$  V. Control the  $V_{ci}$  voltage so that the boosting output voltage (VLOUT) should be less than the absolute maximum ratings (16.5 V).

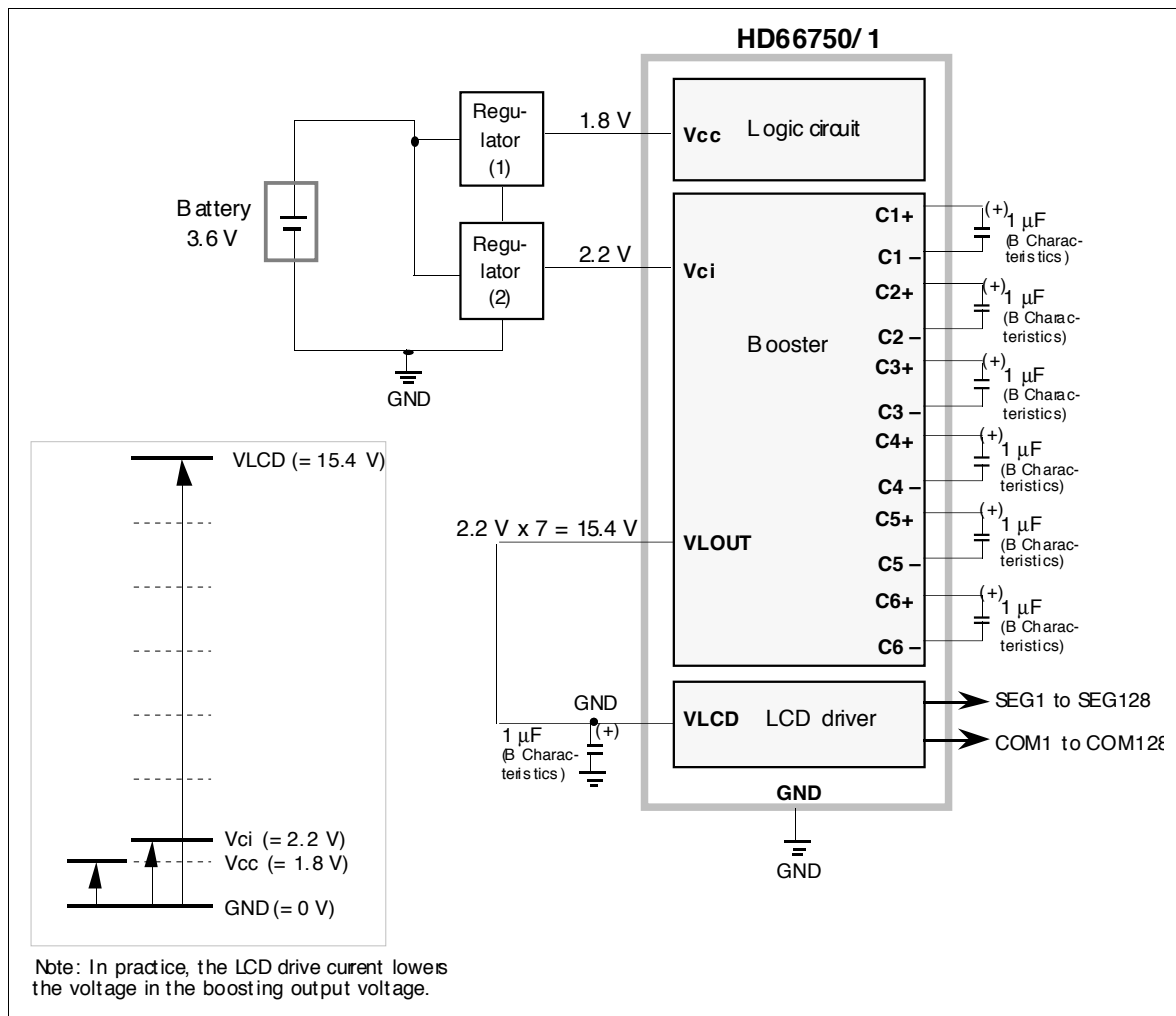
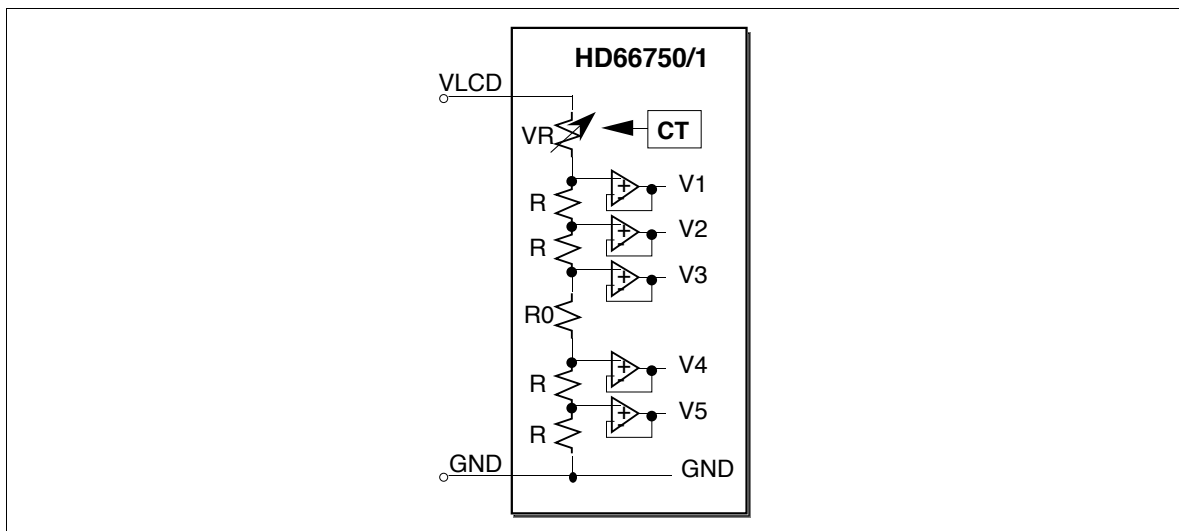


Figure 39 Usage Example of Booster at  $V_{ci} > V_{cc}$

**Contrast Adjuster**

Software can adjust 64-step contrast for an LCD by varying the liquid-crystal drive voltage (potential difference between  $V_{LCD}$  and  $V1$ ) through the CT bits of the contrast adjustment register (electron volume function). The value of a variable resistor between  $V_{LCD}$  and  $V1$  (VR) can be precisely adjusted in a  $0.05 \times R$  unit within a range from  $0.05 \times R$  through  $3.20 \times R$ , where R is a reference resistance obtained by dividing the total resistance.

The HD66750/1 incorporates a voltage-follower operational amplifier for each of  $V1$  to  $V5$  to reduce current flowing through the internal bleeder resistors, which generate different liquid-crystal drive voltages. Thus, CT5-0 bits must be adjusted so that potential difference between  $V_{LCD}$  and  $V1$  is 0.1 V or higher and that between  $V4$  and GND is 1.4 V or higher when liquid-crystal drives, particularly when the VR is small.



**Figure 40 Contrast Adjuster**

# HD66750/1

**Table 20 Contrast Adjustment Bits (CT) and Variable Resistor Values**

CT Set Value						Variable Resistor Value (VR)	Potential Difference between V1 and GND	Display Color		
CT5	CT4	CT3	CT2	CT1	CT0					
0	0	0	0	0	0	3.20 x R				
0	0	0	0	0	1	3.15 x R				
0	0	0	0	1	0	3.10 x R				
0	0	0	0	1	1	3.05 x R				
0	0	0	1	0	0	3.00 x R				
0	0	0	1	0	1	2.95 x R				
0	0	0	1	1	0	2.90 x R				
0	0	0	1	1	1	2.85 x R				
0	0	1	0	0	0	2.80 x R				
0	0	1	0	0	1	2.75 x R				
0	0	1	0	1	0	2.70 x R				
0	0	1	0	1	1	2.65 x R				
0	0	1	1	0	0	2.60 x R				
⋮						⋮				
0	1	1	1	1	1	1.65 x R				
1	0	0	0	0	0	1.60 x R				
1	0	0	0	0	1	1.55 x R				
1	0	0	0	1	0	1.50 x R				
1	0	0	0	1	1	1.45 x R				
1	0	0	1	0	0	1.40 x R				
1	0	0	1	0	1	1.35 x R				
1	0	0	1	1	0	1.30 x R				
1	0	0	1	1	1	1.25 x R				
1	0	1	0	0	0	1.20 x R				
1	1	1	0	0	1	1.15x R				
⋮						⋮				
1	1	1	1	0	0	0.20 x R				
1	1	1	1	0	1	0.15 x R				
1	1	1	1	1	0	0.10 x R				
1	1	1	1	1	1	0.05 x R				

### Liquid-crystal-display Drive-bias Selector

An optimum liquid-crystal-display bias value can be selected using the BS2-0 bits, according to the liquid crystal drive duty ratio setting (NL3-0 bits). The liquid-crystal-display drive duty ratio and bias value can be displayed while switching software applications to match the LCD panel display status. The optimum bias value calculated using the following expression is a logical optimum value. Driving by using a lower value than the optimum bias value provides lower logical contrast and lower liquid-crystal-display voltage (the potential difference between V1 and GND), which results in better image quality. When the liquid-crystal-display voltage is insufficient even if a seven-times booster is used, when the boosting driving ability is lowered by setting a high factor for the booster, or when the output voltage is lowered because the battery life has been reached, the display can be made easier to see by lowering the liquid-crystal-display bias.

The liquid crystal display can be adjusted by using the contrast adjustment register (CT5-0 bits) and selecting the booster output level (BT1/0 bits).

$$\text{Optimum bias value for } 1/N \text{ duty ratio drive voltage} = \frac{1}{\sqrt{N+1}}$$

**Table 21 Optimum Drive Bias Values**

LCD drive duty ratio	1/128	1/120	1/112	1/104	1/96	1/88	1/80	1/72	1/64	1/32	1/24	1/16
(NL3-0 set value)	1111	1110	1101	1100	1011	1010	1001	1000	0111	0100	0011	0010
Optimum drive bias value	1/11	1/11	1/11	1/11	1/10	1/10	1/10	1/9	1/9	1/6	1/6	1/5
(BS2-0 set value)	000	000	000	000	001	001	001	010	010	101	101	100

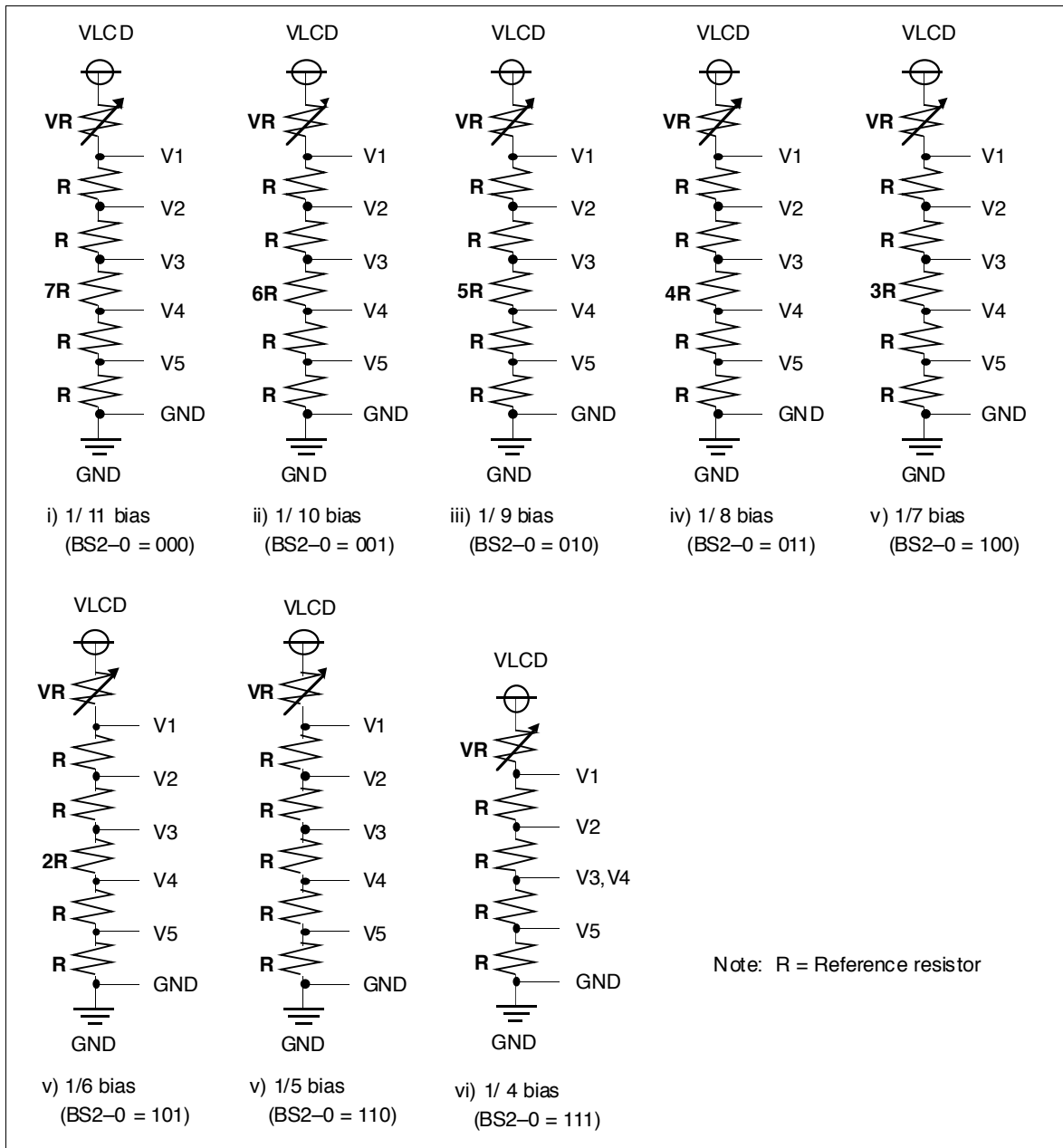


Figure 41 Liquid Crystal Display Drive Bias Circuit

**Table 22 Contrast Adjustment per Bias Drive Voltage**

Bias	LCD drive voltage: $V_{DR}$	Contrast adjustment range
1/11 bias drive	$\frac{11 \times R}{11 \times R + VR} \times (V_{LCD} - GND)$	- LCD drive voltage adjustment range : $0.775 \times (V_{LCD-GND}) \leq V_{DR} \leq 0.995 \times (V_{LCD-GND})$ - Limit of potential difference between V4 and GND : $\frac{2 \times R}{11 \times R + VR} \times (V_{LCD-GND}) \geq 1.4 [V]$ - Limit if potential difference between VLCD and V1 : $\frac{VR}{11 \times R + VR} \times (V_{LCD-GND}) \geq 0.1 [V]$
1/10 bias drive	$\frac{10 \times R}{10 \times R + VR} \times (V_{LCD} - GND)$	- LCD drive voltage adjustment range : $0.757 \times (V_{LCD-GND}) \leq V_{DR} \leq 0.995 \times (V_{LCD-GND})$ - Limit of potential difference between V4 and GND : $\frac{2 \times R}{10 \times R + VR} \times (V_{LCD-GND}) \geq 1.4 [V]$ - Limit if potential difference between VLCD and V1 : $\frac{VR}{10 \times R + VR} \times (V_{LCD-GND}) \geq 0.1 [V]$
1/9 bias drive	$\frac{9 \times R}{9 \times R + VR} \times (V_{LCD} - GND)$	- LCD drive voltage adjustment range : $0.737 \times (V_{LCD-GND}) \leq V_{DR} \leq 0.994 \times (V_{LCD-GND})$ - Limit of potential difference between V4 and GND : $\frac{2 \times R}{9 \times R + VR} \times (V_{LCD-GND}) \geq 1.4 [V]$ - Limit if potential difference between VLCD and V1 : $\frac{VR}{9 \times R + VR} \times (V_{LCD-GND}) \geq 0.1 [V]$
1/8 bias drive	$\frac{8 \times R}{8 \times R + VR} \times (V_{LCD} - GND)$	- LCD drive voltage adjustment range : $0.714 \times (V_{LCD-GND}) \leq V_{DR} \leq 0.993 \times (V_{LCD-GND})$ - Limit of potential difference between V4 and GND : $\frac{2 \times R}{8 \times R + VR} \times (V_{LCD-GND}) \geq 1.4 [V]$ - Limit if potential difference between VLCD and V1 : $\frac{VR}{8 \times R + VR} \times (V_{LCD-GND}) \geq 0.1 [V]$
1/7 bias drive	$\frac{7 \times R}{7 \times R + VR} \times (V_{LCD} - GND)$	- LCD drive voltage adjustment range : $0.686 \times (V_{LCD-GND}) \leq V_{DR} \leq 0.993 \times (V_{LCD-GND})$ - Limit of potential difference between V4 and GND : $\frac{2 \times R}{7 \times R + VR} \times (V_{LCD-GND}) \geq 1.4 [V]$ - Limit if potential difference between VLCD and V1 : $\frac{VR}{7 \times R + VR} \times (V_{LCD-GND}) \geq 0.1 [V]$
1/6 bias drive	$\frac{6 \times R}{6 \times R + VR} \times (V_{LCD} - GND)$	- LCD drive voltage adjustment range : $0.652 \times (V_{LCD-GND}) \leq V_{DR} \leq 0.992 \times (V_{LCD-GND})$ - Limit of potential difference between V4 and GND : $\frac{2 \times R}{6 \times R + VR} \times (V_{LCD-GND}) \geq 1.4 [V]$ - Limit if potential difference between VLCD and V1 : $\frac{VR}{6 \times R + VR} \times (V_{LCD-GND}) \geq 0.1 [V]$
1/5 bias drive	$\frac{5 \times R}{5 \times R + VR} \times (V_{LCD} - GND)$	- LCD drive voltage adjustment range : $0.610 \times (V_{LCD-GND}) \leq V_{DR} \leq 0.990 \times (V_{LCD-GND})$ - Limit of potential difference between V4 and GND : $\frac{2 \times R}{5 \times R + VR} \times (V_{LCD-GND}) \geq 1.4 [V]$ - Limit if potential difference between VLCD and V1 : $\frac{VR}{5 \times R + VR} \times (V_{LCD-GND}) \geq 0.1 [V]$
1/4 bias drive	$\frac{4 \times R}{4 \times R + VR} \times (V_{LCD} - GND)$	- LCD drive voltage adjustment range : $0.556 \times (V_{LCD-GND}) \leq V_{DR} \leq 0.988 \times (V_{LCD-GND})$ - Limit of potential difference between V4 and GND : $\frac{2 \times R}{4 \times R + VR} \times (V_{LCD-GND}) \geq 1.4 [V]$ - Limit if potential difference between VLCD and V1 : $\frac{VR}{4 \times R + VR} \times (V_{LCD-GND}) \geq 0.1 [V]$

# HD66750/1

## Four-grayscale Display Function

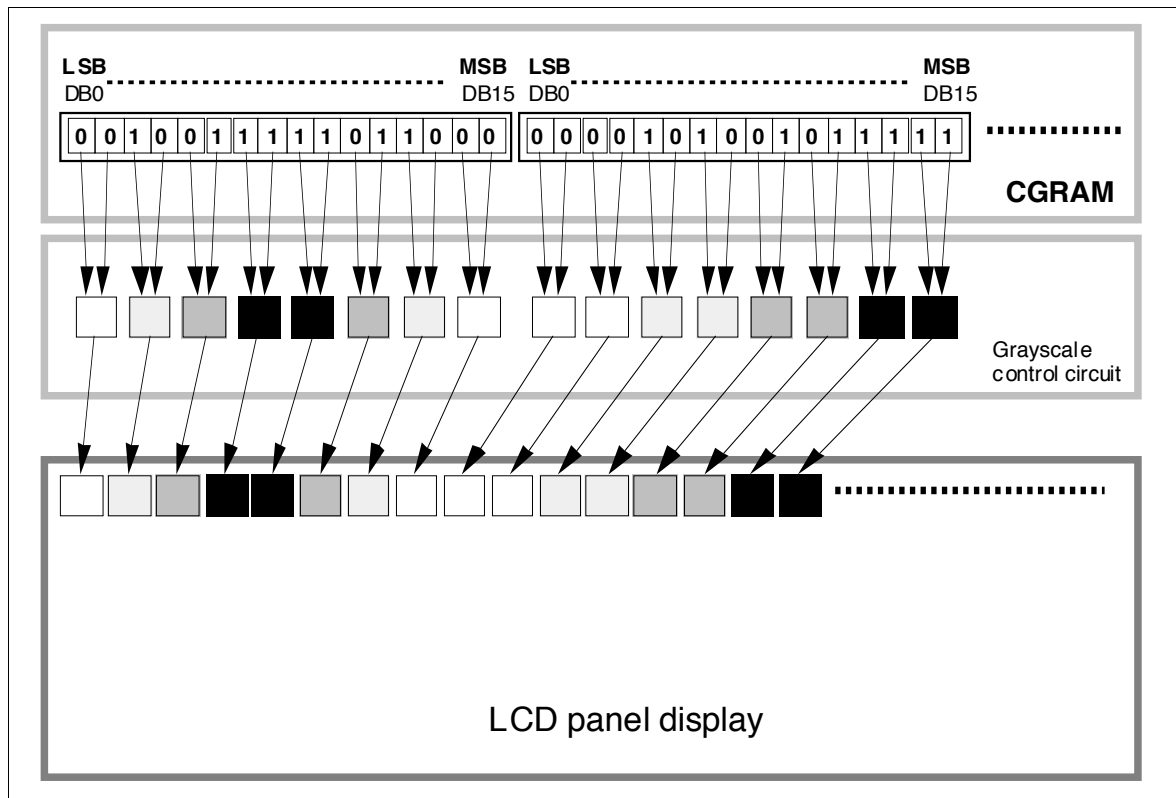
The HD66750/1 supports the four-grayscale monochrome display function. The four-grayscale monochrome display is used for the display data of the two-bit pixel set sent to the CGRAM. There are four grayscale levels: always unlit, weak middle level, strong middle level, and always lit. In the weak middle-level grayscale display, the GS bit can select the 1/3 or 1/2 level.

The frame rate control (FRC) method is used for grayscale control.

**Table 23 Relationships between the CGRAM Data and the Display Contents**

Upper Bit	Lower Bit	Liquid Crystal Display
0	0	Non-selected (unlit)
0	1	GS = 0: 1/3-level grayscale (one frame lit during a three-frame period) GS = 1: 1/2-level grayscale (one frame lit during a two-frame period)
1	0	2/3-level grayscale (two frames lit during a three-frame period)
1	1	Selected (lit)

Note: Upper bits: DB15, DB13, DB11, DB9, DB7, DB5, DB3, and DB1  
Lower bits: DB14, DB12, DB10, DB8, DB6, DB4, DB2, and DB0



**Figure 42 Four-grayscale Monochrome Display**



### Window Cursor Display Function

The HD66750/1 displays the window cursor by specifying a window area. The horizontal display position of the window cursor is specified with the horizontal cursor position register (HS6-0 to HE6-0), and the vertical display position is specified with the vertical cursor position register (VS6-0 or VE6-0). In these display position setting registers, ensure that  $HS6-0 \leq HE6-0$  and  $VS6-0 \leq VE6-0$ . If these relationships are not satisfied, normal display cannot be attained. In addition, if the setting is  $VS6-0 = VE6-0 = 00H$ , a cursor is displayed on a raster-row at the most-upper edge of the screen.

This window cursor can automatically display the hardware-supported block cursor, highlight window, or menu bar. The CM1-0 bits select the following four displays in each window cursor:

1. White-blink cursor (CM1-0 = 00): Alternately blinks between the normal display and an all-white (unlit) display
2. Black-blink cursor (CM1-0 = 01): Alternately blinks between the normal display and an all-black (all lit) display
3. Black-and-white reversed cursor (CM1-0 = 10): Black-and-white-reversed normal display (no blinking)
4. Black-and-white-reversed blink cursor (CM1-0 = 11): Alternately blinks between the normal display and a black-and-white-reversed display

The above blinking display is switched in a 32-frame unit.

In vertical scrolling, note that this window cursor does not automatically move vertically.

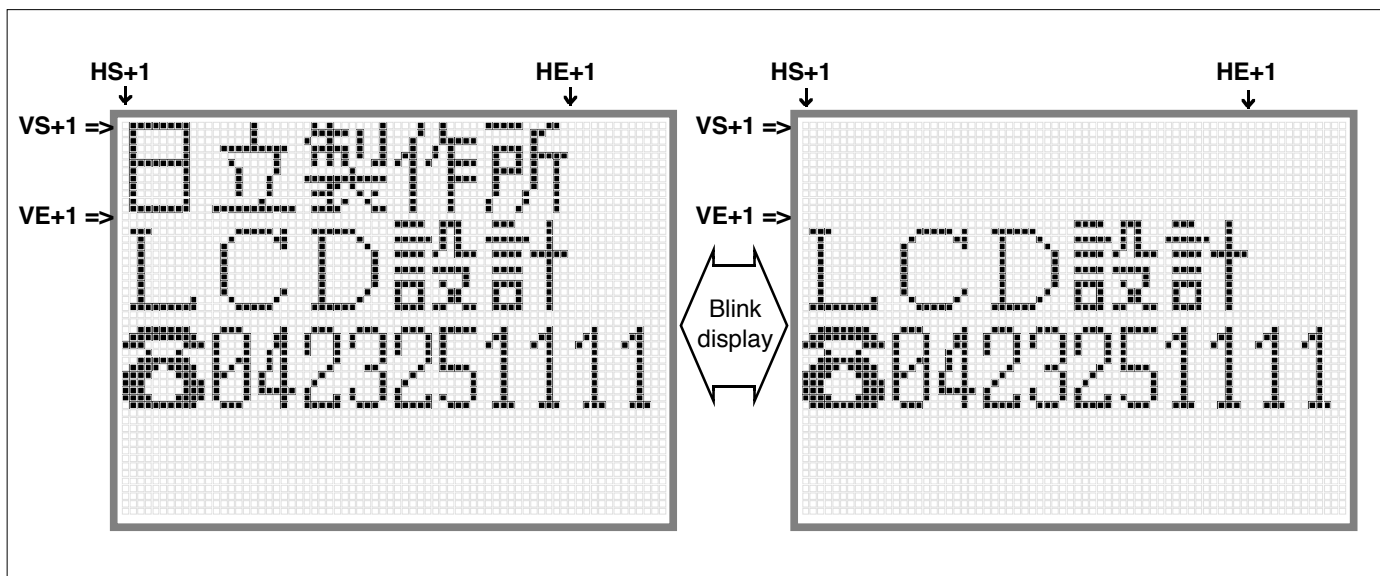


Figure 43 White Blink Cursor Display

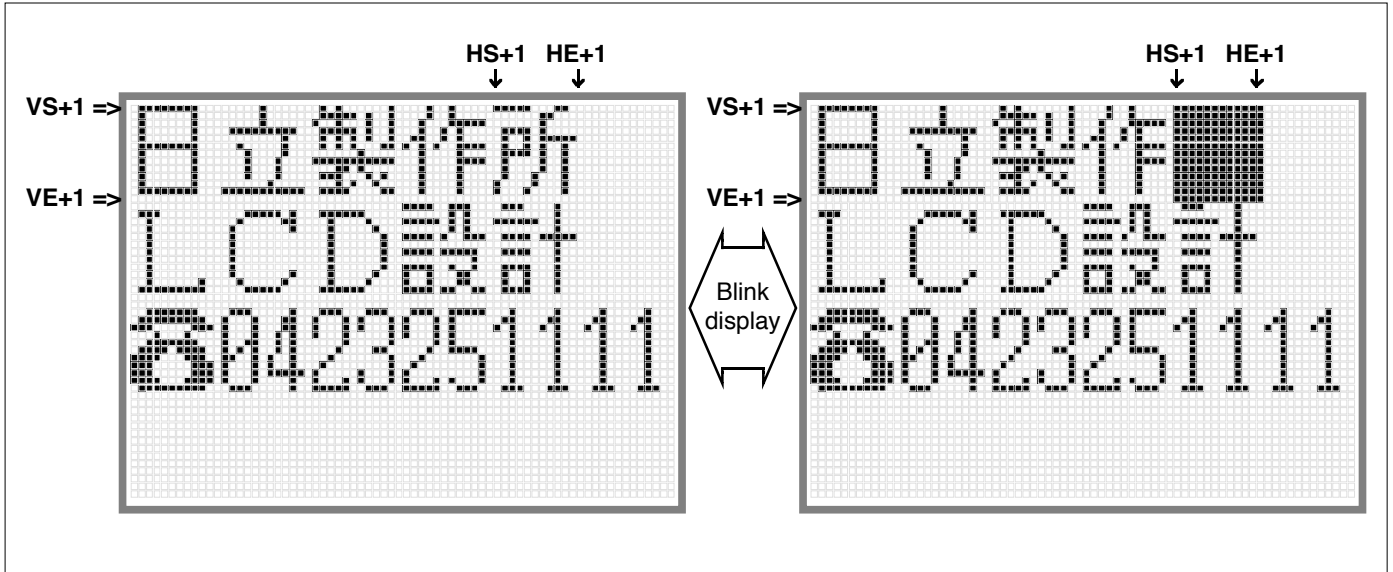


Figure 44 Black Blink Cursor Display

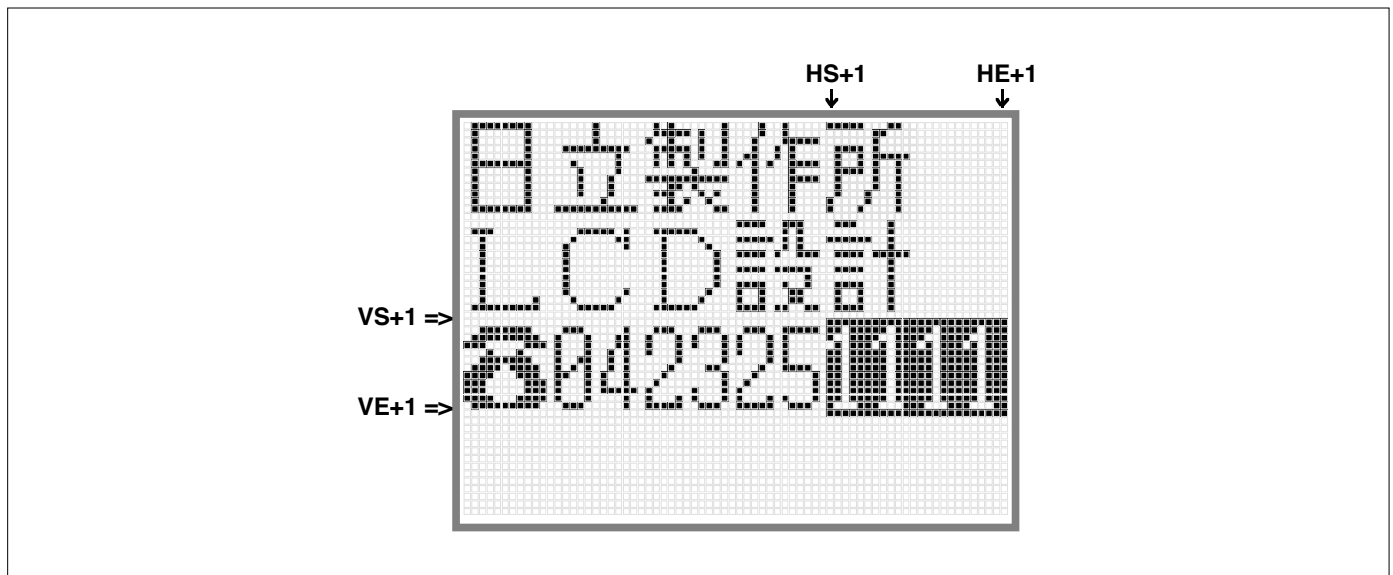


Figure 45 Black-and-white Reversed Cursor Display

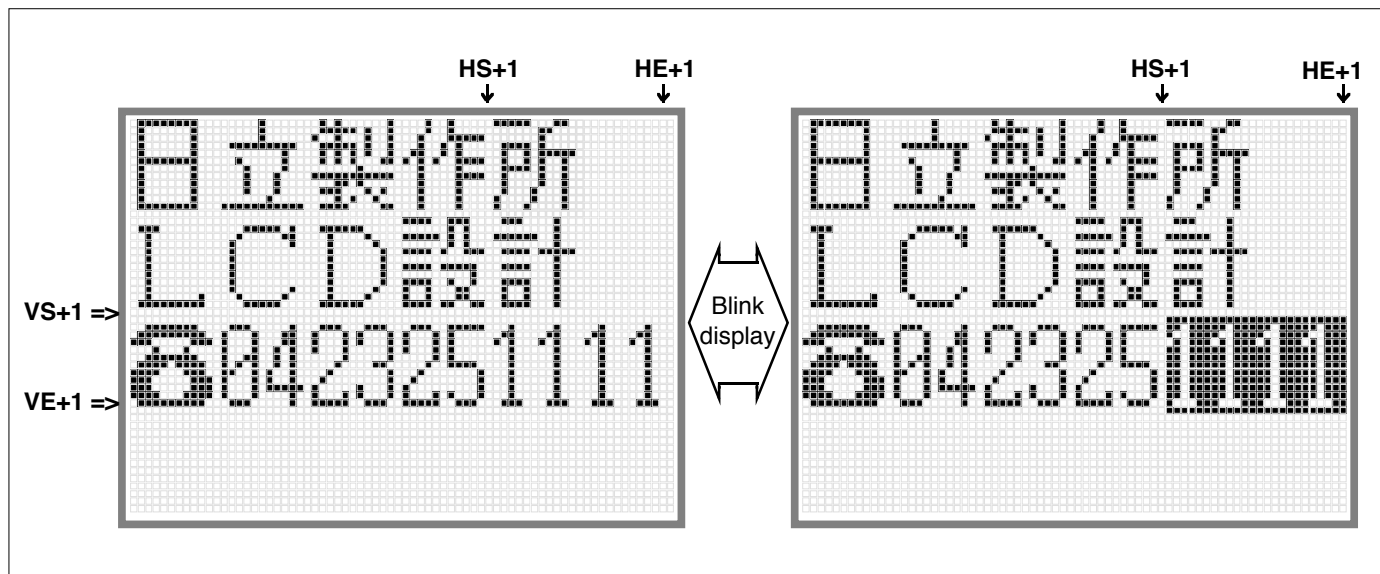


Figure 46 Black-and-white Reversed Blink Cursor Display

### **Vertical Smooth Scroll Display**

The HD66750/1 can scroll the graphics display vertically in units of raster-rows. The data storage capacity of the CGRAM is 128 raster-rows. Continuous smooth vertical scrolling is achieved by writing display data into a raster-row area that is not being used for display. After the 128th raster-row is displayed, the first raster-row is displayed again. Using the status read, the user can check the display raster-rows (L6-0) that are currently driving the LCD, and flicker can be eliminated by writing the display data in the CGRAM while the LCD is not driven.

Additionally, when display areas of a graphics icon such as a pictogram or a menu bar are partially fixed-displayed, the remaining areas can be displayed. For details, see the Partial Smooth Scroll Display Function section.

Specifically, this function is controlled by incrementing or decrementing the value in the display-start raster-row bits (SL6-0) by 1. For example, to smoothly scroll up, increment display-start raster-row bits (SL6-0) by 1 from 0000000 to 1111111 to scroll 128 raster-rows.

Note that the vertical double-height display or window cursor display is not automatically changed in synchronization with the vertical scrolling.

When the response speed of the liquid crystal is low or when high-speed scrolling is needed, two- to four-raster-row scrolling is recommended.

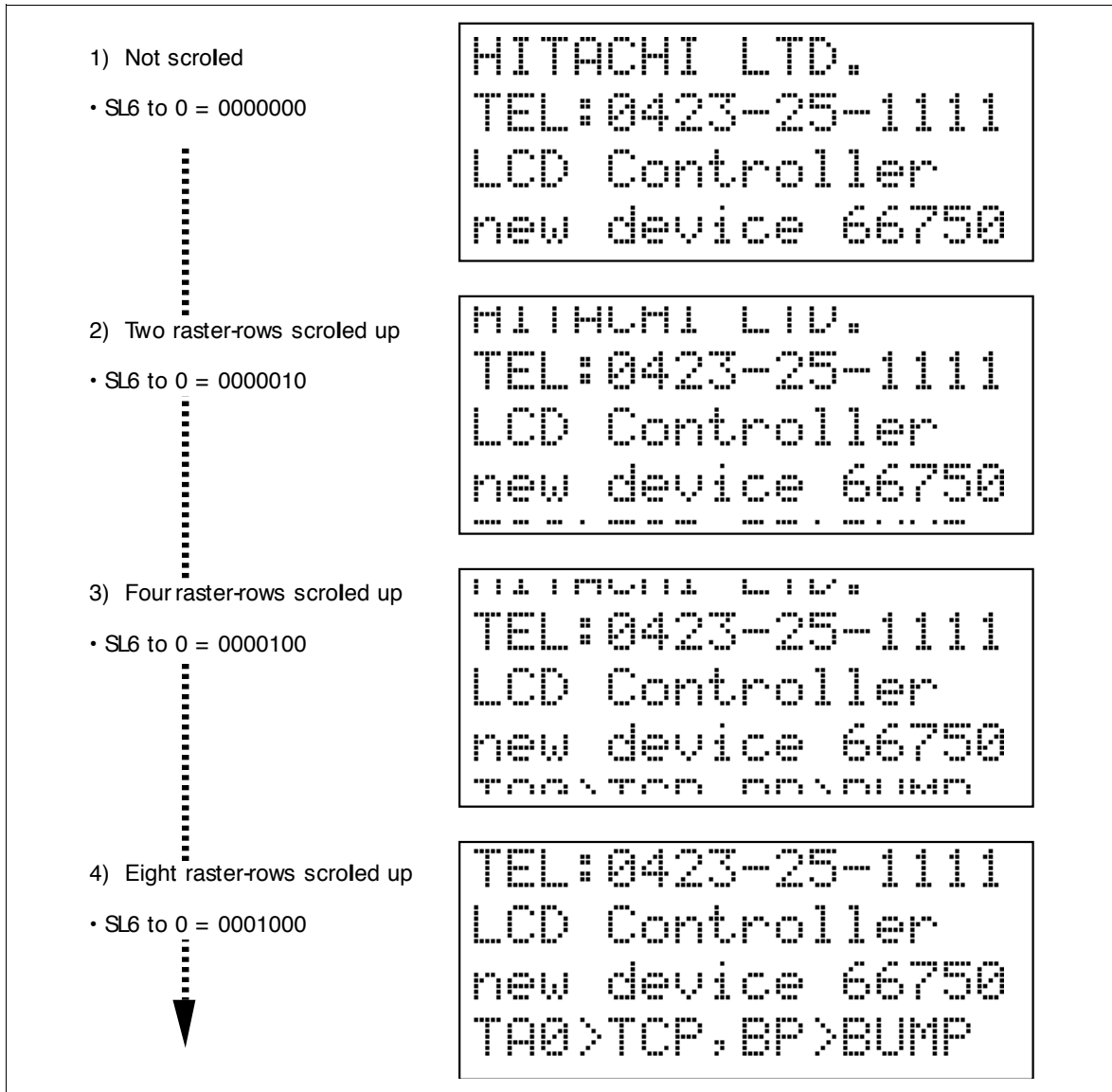


Figure 47 Vertical Smooth Scroll

---

## **HD66750/1**

---

### **Partial Smooth Scroll Display Function**

The HD66750/1 can partially fixed-display the areas of a graphics icon such as a pictogram or a menu bar, and perform vertical smooth scrolling of the remaining bit-map areas. Since the PS1 to PS0 bits are not used for smooth scrolling of the upper first to 24th display raster-rows but are used for fixed-display, pictograms can be placed on the screen. This function can largely control the rewrite frequencies of the bit-map data during smooth scrolling and reduce the software load of the MPU.

Table 24 Bit Setting and Display Lines

Bit Setting	COM Position	SL6 to 0 = 00H	SL6 to 0 = 01H	SL6 to 0 = 02H	SL6 to 0 = 04H	SL6 to 0 = 07H	SL6 to 0 = 08H	.....	SL6 to 0 = 7EH	SL6 to 0 = 7FH
PS1 to 0 = 00	COM1	1st raster-row	2nd raster-row	3rd raster-row	5th raster-row	8th raster-row	9th raster-row	.....	127th raster-row	128th raster-row
	COM120	120th raster-row	121th raster-row	122th raster-row	124th raster-row	127th raster-row	128th raster-row	.....	118th raster-row	119th raster-row
PS1 to 0 = 01	COM1	1st to 8th raster-rows	1st to 8th raster-rows	1st to 8th raster-rows	1st to 8th raster-rows	1st to 8th raster-rows	1st to 8th raster-rows	.....	1st to 8th raster-rows	1st to 8th raster-rows
	COM120	110th raster-row	111th raster-row	112th raster-row	114th raster-row	117th raster-row	118th raster-row	.....	116th raster-row	117th raster-row
PS1 to 0 = 10	COM1	1st to 16th raster-rows	1st to 16th raster-rows	1st to 16th raster-rows	1st to 16th raster-rows	1st to 16th raster-rows	1st to 16th raster-rows	.....	1st to 16th raster-rows	1st to 16th raster-rows
	COM120	102th raster-row	103th raster-row	104th raster-row	106th raster-row	109th raster-row	110th raster-row	.....	116th raster-row	117th raster-row
PS1 to 0 = 11	COM1	1st to 24th raster-rows	1st to 24th raster-rows	1st to 24th raster-rows	1st to 24th raster-rows	1st to 24th raster-rows	1st to 24th raster-rows	.....	1st to 24th raster-rows	1st to 24th raster-rows
	COM120	94th raster-row	95th raster-row	96th raster-row	98th raster-row	101th raster-row	102th raster-row	.....	116th raster-row	117th raster-row

- Notes: 1. The shadow raster-rows above are fixed-displayed. They do not depend on the setting values of the SL6 to 0 bits.  
 2. The SL6 to 0 bits specify the next first scroll display raster-row of the fixed-displayed raster-rows.





i) Initial Screen Display

- PS1 to 0 = 01: Fixed-displays the first to eighth raster-rows
- SL6 to 0 = 0001000: Starts display from the ninth raster-row

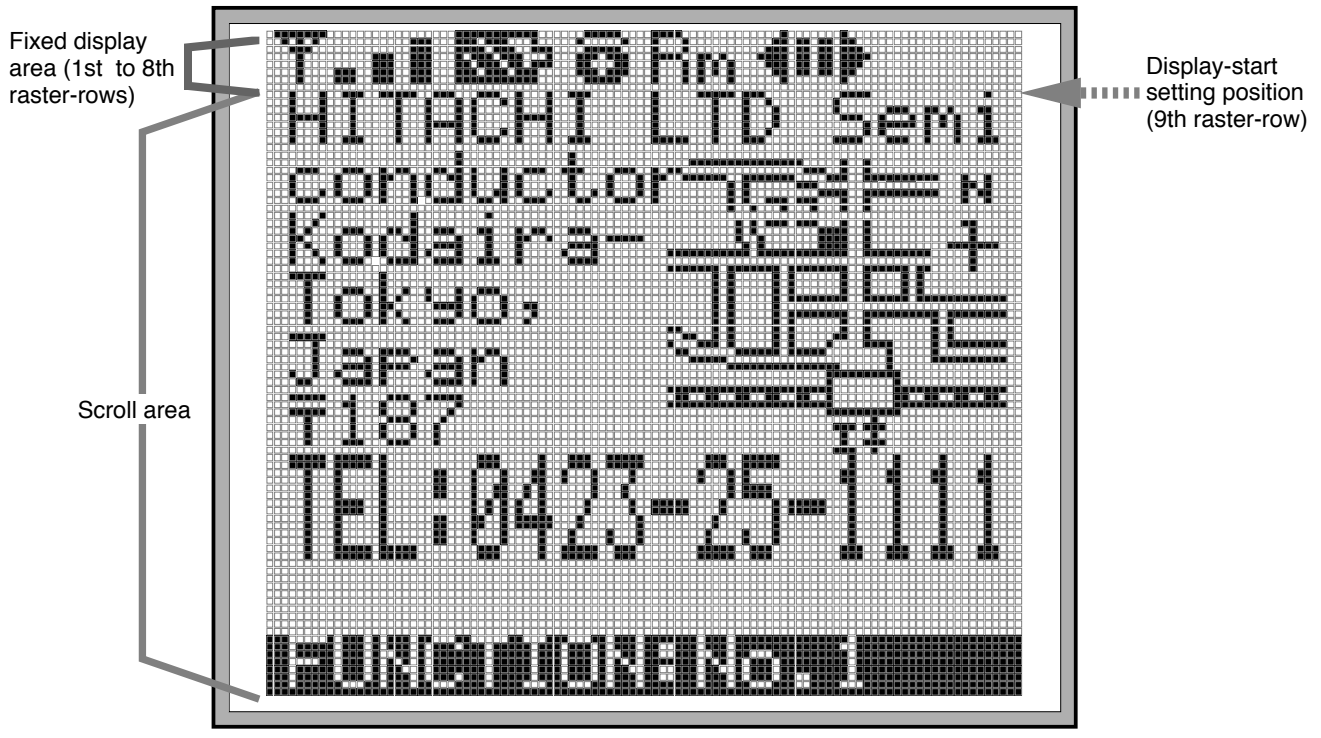


Figure 48 Example of Initial Screen in the Partial Smooth Scroll Mode

ii) Four-dot Partial Scroll Up

- PS1 to 0 = 01: Fixed-displays the first to eighth raster-rows
- SL6 to 0 = 0001100: Starts display from the 13th raster-row

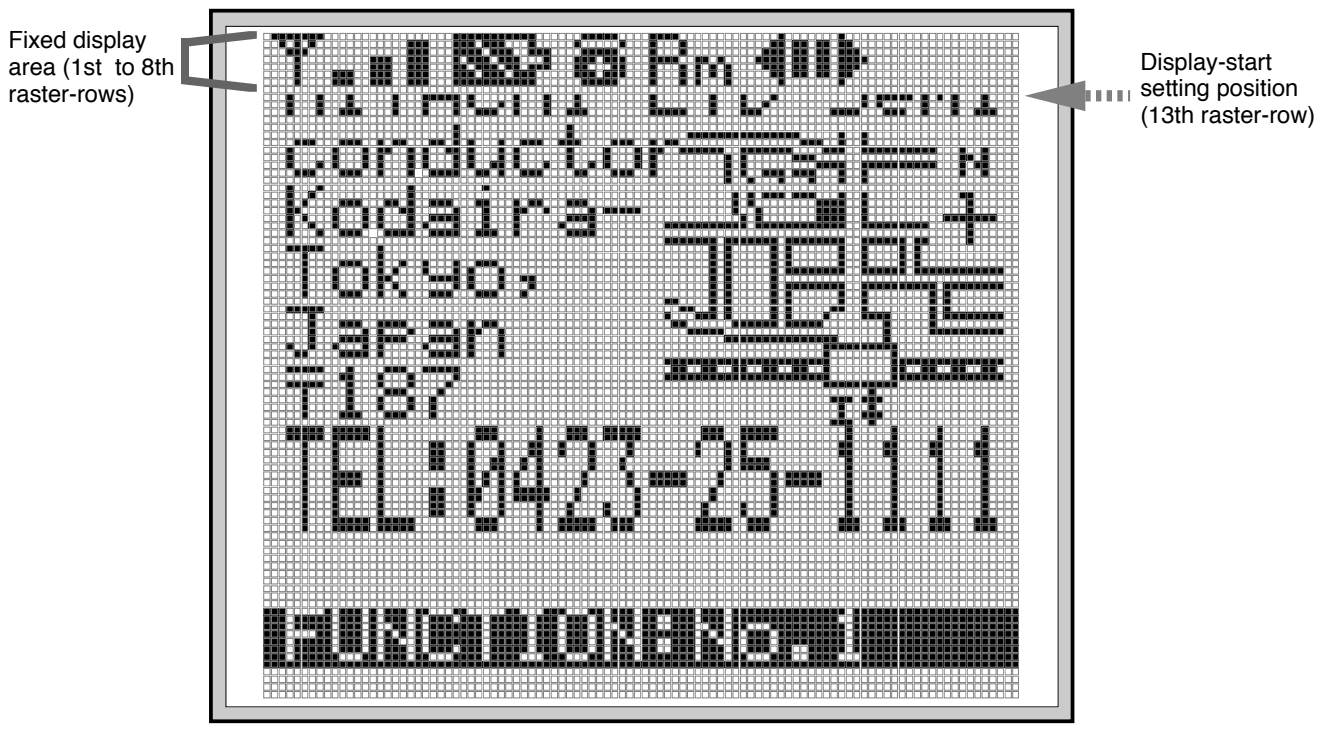


Figure 49 Example of Display Screen in the Partial Smooth Scroll Mode (1)

HITACHI

iii) Eight-dot Partial Scroll Up

- PS1 to 0 = 01: Fixed-displays the first to eighth raster-rows
- SL6 to 0 = 0010000: Starts display from the 17th raster-row

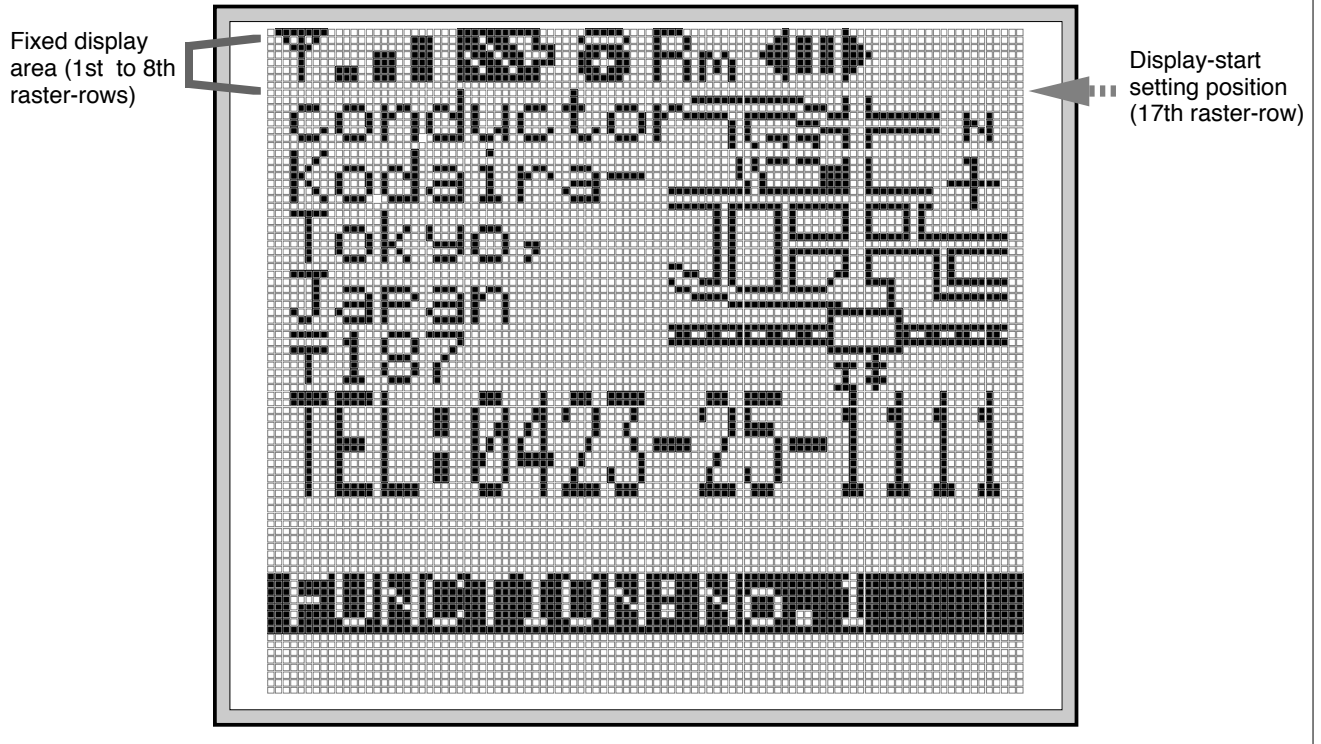


Figure 50 Example of Display Screen in the Partial Smooth Scroll Mode (2)

### **Double-height Display Function**

The HD66750/1 can double the height of any desired area in units of raster-rows (dots). The double-height display is done by setting the DHE bit in the display control register to 1.

The start position of the double-height display is set by the DS6 to DS0 bits of the double-height display position register, and the double-height display starts at the (the setting value plus one)-th raster-row. The end position is set by the DE6 to DE0 bits of the double-height display position register, and the display ends at the (the setting value plus one)-th raster-row. Here, the end position of the double-height display must be after the start position, so set the register setting values so that

$DS6-0 \leq DE6-0$ . When the area specified to be doubled in height is an odd number of raster-rows, the double-height display is done up to the (DE6-0 plus one)-th raster-row.

In vertical smooth scrolling, the double-height display position does not automatically move up or down.

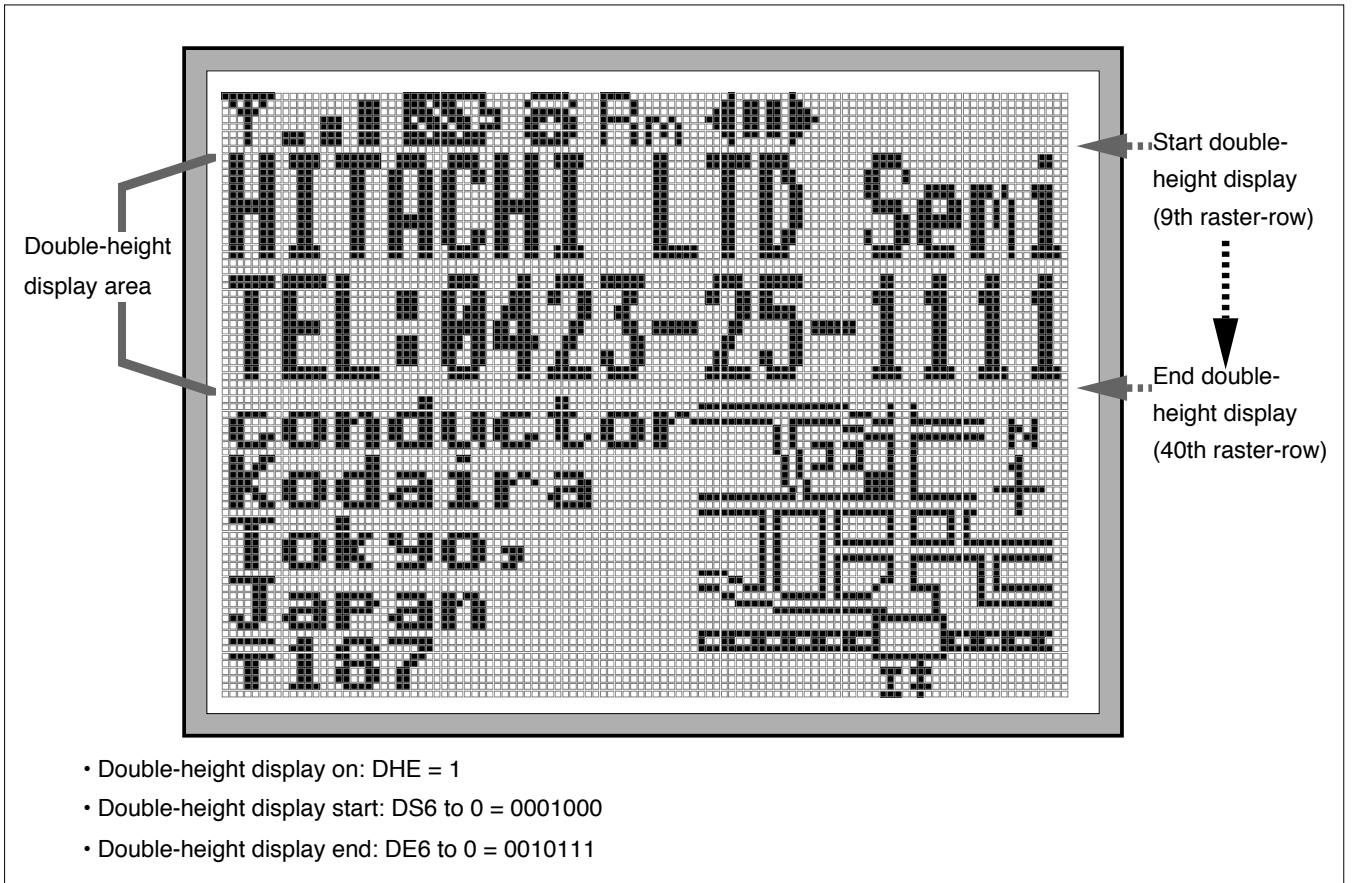
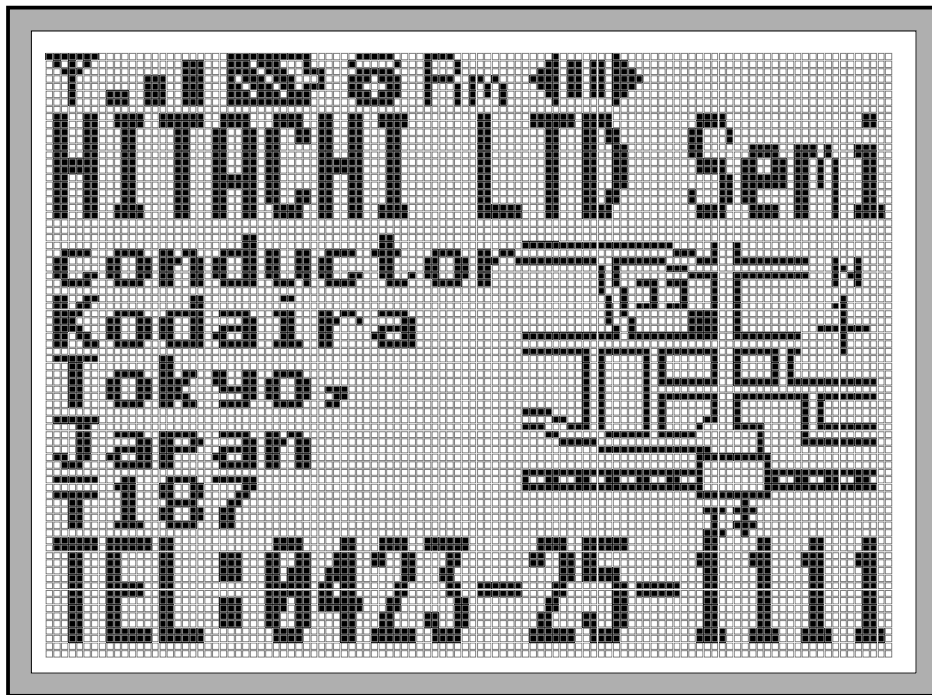


Figure 51 Double-height Display (9th to 40th raster-rows)

### **Reversed Display Function**

The HD66750/1 can display graphics display sections by black-and-white reversal. Black-and-white reversal can be easily displayed when the REV bit in the display control register is set to 1.



REV = 1 (Reversed display)

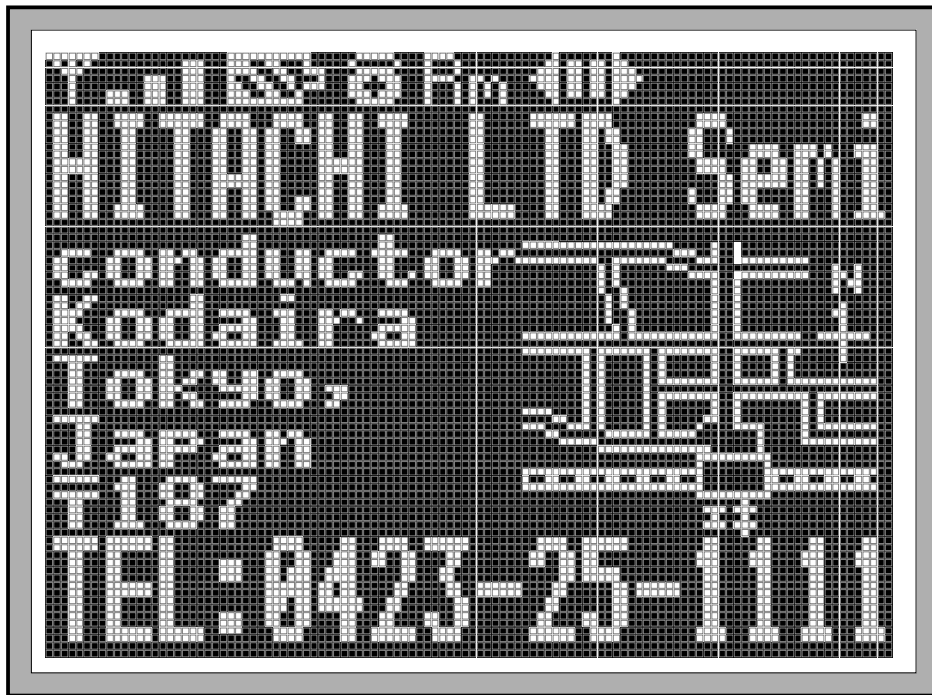


Figure 52 Reversed Display

## Partial-display-on Function

The HD66750/1 can program the liquid crystal display drive duty ratio setting (NL3-0 bits), the liquid crystal display drive bias value selection (BS2-0 bits), the boost output level selection (BT1-0 bits), and the contrast adjustment (CT5-0 bits). For example, when the 128 x 120-dot screen is normally displayed with a 1/120 duty ratio, the HD66750/1 can selectively drive only the center of the screen or the top of the screen by combining these register functions and the centering display function (CN bit). This is called partial-display-on. Lowering the liquid crystal display drive duty ratio reduces the liquid crystal display drive voltage, thus reducing internal current consumption. This is suitable for a 16 raster-row display (1/16 duty ratio) of a calendar or time in the system-standby state, or the display of only graphics icons (pictograms) at the top of the screen, which enables continuous display with minimal current consumption. The non-displayed lines are constantly driven by the unselected level voltage, thus turning off the LCD for these lines.

In general, lowering the liquid crystal display drive duty ratio decreases the optimum liquid crystal display drive voltage and liquid crystal display drive bias value. This reduces output multiplying factors in the booster and greatly controls consumption current.

**Table 26 Partial-display-on Function (1/120-duty Normal Drive)**

Item	Normal Display	Partial-on Display (Limited to Four-line Display)	
LCD screen	128 x 120 dots	128 x 16 dots only on the center of the screen	128 x 16 dots only at the top of the screen
LCD drive position shift	Not necessary (CN = 0)	Necessary (CN = 1)	Not necessary (CN = 0)
LCD drive duty ratio	1/120 (NL3 to 0 = 1110)	1/16 (NL3 to 0 = 0001)	1/16 (NL3 to 0 = 0001)
LCD drive bias value (optimum)	1/11 (BS2 to 0 = 000)	1/5 (BS2 to 0 = 110)	1/5 (BS2 to 0 = 110)
LCD drive voltage*	13.5 V to 15.5 V (precisely adjustable using CT5 to 0)	4 V to 5 V (precisely adjustable using CT5 to 0)	4 V to 5 V (precisely adjustable using CT5 to 0)
Boosting output multiplying factor	Six times (BT1 to 0 = 10)	Two times (BT1 to 0 = 00)	Two times (BT1 to 0 = 00)
Frame frequency (fosc = 70 kHz)	68 Hz	68 Hz	68 Hz

Note: The LCD drive voltage depends on the LCD materials used. Since the LCD drive voltage is high when the LCD drive duty ratio is high, a low duty ratio enables low-power consumption.





### Sleep Mode

Setting the sleep mode bit (SLP) to 1 puts the HD66750/1 in the sleep mode, where the device stops all internal display operations, thus reducing current consumption. Specifically, LCD operation is completely halted. Here, all the SEG (SEG1 to SEG128) and COM (COM1 to COM128) pins output the GND level, resulting in no display. If the AP1-0 bits in the power control register are set to 00 in the sleep mode, the LCD drive power supply can be turned off, reducing the total current consumption of the LCD module.

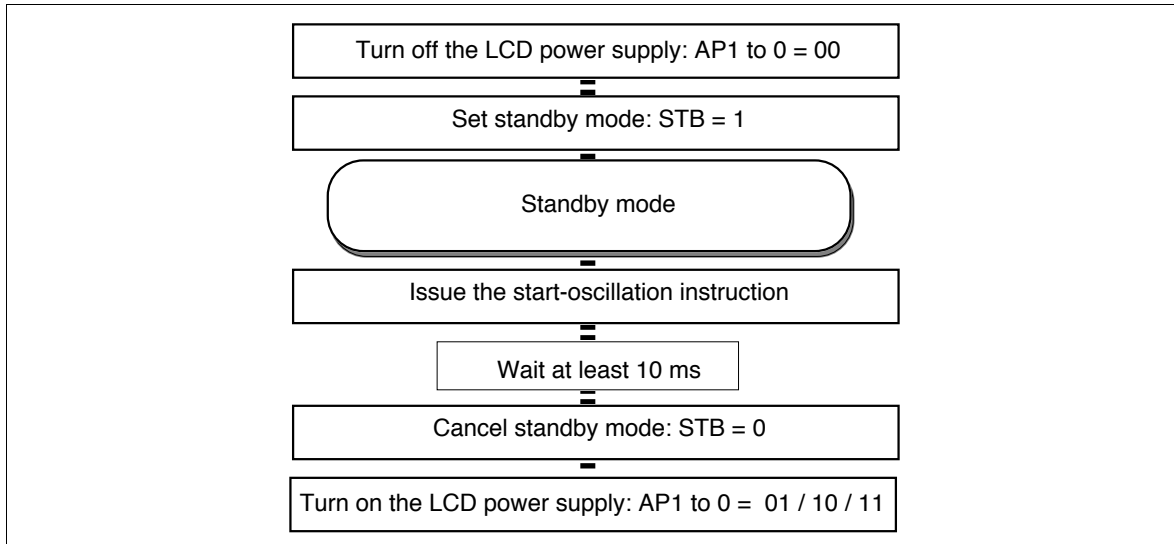
**Table 27 Comparison of Sleep Mode and Standby Mode**

Function	Sleep Mode (SLP = 1)	Standby Mode (STB = 1)
LCD control	Turned off	Turned off
R-C oscillation circuit	Operates normally	Operation stopped

### Standby Mode

Setting the standby mode bit (STB) to 1 puts the HD66750/1 in the standby mode, where the device stops completely, halting all internal operations including the R-C oscillation circuit, thus further reducing current consumption compared to that in the sleep mode. Specifically, all the SEG (SEG1 to SEG128) and COM (COM1 to COM128) pins for the multiplexing drive output the GND level, resulting in no display. If the AP1-0 bits are set to 00 in the standby mode, the LCD drive power supply can be turned off.

During the standby mode, no instructions can be accepted other than the start-oscillation instruction. To cancel the standby mode, issue the start-oscillation instruction to stabilize R-C oscillation before setting the STB bit to 0.



**Figure 55 Procedure for Setting and Canceling Standby Mode**

---

## HD66750/1

---

### Absolute Maximum Ratings

Item	Symbol	Unit	Value	Notes*
Power supply voltage (1)	$V_{CC}$	V	-0.3 to +4.6	1, 2
Power supply voltage (2)	$V_{LCD} - GND$	V	-0.3 to +16.5	1, 3
Input voltage	$V_t$	V	-0.3 to $V_{CC} + 0.3$	1
Operating temperature	$T_{opr}$	°C	-40 to +85	1, 4
Storage temperature	$T_{stg}$	°C	-55 to +110	1, 5

Notes: 1. If the LSI is used above these absolute maximum ratings, it may become permanently damaged. Using the LSI within the following electrical characteristics limits is strongly recommended for normal operation. If these electrical characteristic conditions are also exceeded, the LSI will malfunction and cause poor reliability.

2.  $V_{CC} > GND$  must be maintained.
3.  $V_{LCD} > GND$  must be maintained.
4. For bare die and wafer products, specified up to 85°C.
5. This temperature specifications apply to the TCP package.

**DC Characteristics ( $V_{CC} = 1.8$  to  $3.6$  V,  $T_a = -40$  to  $+85^\circ\text{C}^{*1}$ )**

Item	Symbol	Min	Typ	Max	Unit	Test Condition	Notes
Input high voltage	$V_{IH}$	$0.7 V_{CC}$	—	$V_{CC}$	V		2, 3
Input low voltage	$V_{IL}$	-0.3	—	$0.15 V_{CC}$	V	$V_{CC} = 1.8$ to $2.4$ V	2, 3
		-0.3	—	$0.15 V_{CC}$	V	$V_{CC} = 2.4$ to $3.6$ V	2, 3
Output high voltage (1) (DB0-15 pins)	$V_{OH1}$	$0.75 V_{CC}$	—	—	V	$I_{OH} = -0.1$ mA	2
Output low voltage (1) (DB0-15 pins)	$V_{OL1}$	—	—	$0.2 V_{CC}$	V	$V_{CC} = 1.8$ to $2.4$ V, $I_{OL} = 0.1$ mA	2
		—	—	$0.15 V_{CC}$	V	$V_{CC} = 2.4$ to $3.6$ V, $I_{OL} = 0.1$ mA	2
Driver ON resistance (COM pins)	$R_{COM}$	—	3	10	$k\Omega$	$\pm I_d = 0.05$ mA, $V_{LCD} = 10$ V	4
Driver ON resistance (SEG pins)	$R_{SEG}$	—	3	10	$k\Omega$	$\pm I_d = 0.05$ mA, $V_{LCD} = 10$ V	4
I/O leakage current	$I_{Li}$	-1	—	1	$\mu\text{A}$	$V_{in} = 0$ to $V_{CC}$	5
Current consumption during normal operation ( $V_{CC} - \text{GND}$ )	$I_{OP}$	—	50 (T.B.D.)	90 (T.B.D.)	$\mu\text{A}$	R-C oscillation, $V_{CC} = 3$ V, $T_a = 25^\circ\text{C}$ , $f_{OSC}$ $= 70$ kHz (1/120 duty)	6, 7
Current consumption during sleep mode ( $V_{CC} - \text{GND}$ )	$I_{SL}$	—	10	—	$\mu\text{A}$	R-C oscillation, $V_{CC} = 3$ V, $T_a = 25^\circ\text{C}$ , $f_{OSC}$ $= 70$ kHz (1/120 duty)	6, 7
Current consumption during standby mode ( $V_{CC} - \text{GND}$ )	$I_{ST}$	—	0.1	5	$\mu\text{A}$	$V_{CC} = 3$ V, $T_a = 25^\circ\text{C}$	6, 7
LCD drive power supply current ( $V_{LCD} - \text{GND}$ )	$I_{LCD}$	—	25 (T.B.D.)	40 (T.B.D.)	$\mu\text{A}$	$V_{LCD} = 15$ V, 1/11 bias, $T_a = 25^\circ\text{C}$ , $f_{OSC} = 70$ kHz	7
LCD drive voltage ( $V_{LCD} - \text{GND}$ )	$V_{LCD}$	5.0	—	15.5	V		8

Note: For the numbered notes, refer to the Electrical Characteristics Notes section following these tables.

---

**HD66750/1**

---

**Booster Characteristics (T. B. D.)**

Item	Symbol	Min	Typ	Max	Unit	Test Condition	Notes
Two-times-boost output voltage (VLOUT pin)	$V_{UP2}$	3.9	4.3	4.4	V	$V_{CC} = V_{ci} = 2.2\text{ V}$ , $I_O = 30\ \mu\text{A}$ , $C = 1\ \mu\text{F}$ , $f_{OSC} = 70\ \text{kHz}$ , $T_a = 25^\circ\text{C}$	11
Five-times-boost output voltage (VLOUT pin)	$V_{UP5}$	10.5	10.8	11.0	V	$V_{CC} = V_{ci} = 2.2\text{ V}$ , $I_O = 30\ \mu\text{A}$ , $C = 1\ \mu\text{F}$ , $f_{OSC} = 70\ \text{kHz}$ , $T_a = 25^\circ\text{C}$	11
Six-times-boost output voltage (VLOUT pin)	$V_{UP6}$	12.7	12.9	13.2	V	$V_{CC} = V_{ci} = 2.2\text{ V}$ , $I_O = 30\ \mu\text{A}$ , $C = 1\ \mu\text{F}$ , $f_{OSC} = 70\ \text{kHz}$ , $T_a = 25^\circ\text{C}$	11
Seven-times-boost output voltage (VLOUT pin)	$V_{UP7}$	13.9	15.1	15.4	V	$V_{CC} = V_{ci} = 2.2\text{ V}$ , $I_O = 30\ \mu\text{A}$ , $C = 1\ \mu\text{F}$ , $f_{OSC} = 70\ \text{kHz}$ , $T_a = 25^\circ\text{C}$	11
Use range of boost output voltages	$V_{UP2}$ $V_{UP5}$ $V_{UP6}$ $V_{UP7}$	$V_{CC}$	—	15.5	V	For two- to seven-times boost	11

Note: For the numbered notes, refer to the Electrical Characteristics Notes section following these tables.

**AC Characteristics ( $V_{CC} = 1.8$  to  $3.6$  V,  $T_a = -40$  to  $+85^\circ\text{C}^{*1}$ )**
**Clock Characteristics ( $V_{CC} = 1.8$  to  $3.6$  V)**

Item	Symbol	Min	Typ	Max	Unit	Test Condition	Notes
External clock frequency	f <sub>cp</sub>	50	75	150	kHz		9
External clock duty ratio	Duty	45	50	55	%		9
External clock rise time	trcp	—	—	0.2	μs		9
External clock fall time	tfcp	—	—	0.2	μs		9
R-C oscillation clock	f <sub>osc</sub>	59	74	89	kHz	Rf = 390 kΩ, V <sub>CC</sub> = 3 V	10

Note: For the numbered notes, refer to the Electrical Characteristics Notes section following these tables.

**68-system Bus Interface Timing Characteristics**

(V<sub>CC</sub> = 1.8 to 2.4 V)

Item	Symbol	Min	Typ	Max	Unit	Test Condition
Enable cycle time	Write t <sub>CYCE</sub>	600	—	—	ns	Figure 62
	Read t <sub>CYCE</sub>	800	—	—		
Enable high-level pulse width	Write PW <sub>EH</sub>	120	—	—	ns	Figure 62
	Read PW <sub>EH</sub>	350	—	—		
Enable low-level pulse width	Write PW <sub>EL</sub>	300	—	—	ns	Figure 62
	Read PW <sub>EL</sub>	300	—	—		
Enable rise/fall time	t <sub>Er</sub> , t <sub>Ef</sub>	—	—	25	ns	Figure 62
Setup time (RS, R/W to E, CS*)	t <sub>ASE</sub>	50	—	—	ns	Figure 62
Address hold time	t <sub>AHE</sub>	20	—	—	ns	Figure 62
Write data setup time	t <sub>DSWE</sub>	60	—	—	ns	Figure 62
Write data hold time	t <sub>HE</sub>	20	—	—	ns	Figure 62
Read data delay time	t <sub>DDRE</sub>	—	—	300	ns	Figure 62
Read data hold time	t <sub>DHRE</sub>	5	—	—	ns	Figure 62

---

**HD66750/1**

---

(V<sub>CC</sub> = 2.4 to 3.6 V)

Item	Symbol	Min	Typ	Max	Unit	Test Condition
Enable cycle time	Write $t_{CYCE}$	380	—	—	ns	Figure 62
	Read $t_{CYCE}$	500	—	—		
Enable high-level pulse width	Write $PW_{EH}$	70	—	—	ns	Figure 62
	Read $PW_{EH}$	250	—	—		
Enable low-level pulse width	Write $PW_{EL}$	150	—	—	ns	Figure 62
	Read $PW_{EL}$	150	—	—		
Enable rise/fall time	$t_{Er}, t_{Ef}$	—	—	25	ns	Figure 62
Setup time (RS, R/W to E, CS*)	$t_{ASE}$	50	—	—	ns	Figure 62
Address hold time	$t_{AHE}$	20	—	—	ns	Figure 62
Write data setup time	$t_{DSWE}$	60	—	—	ns	Figure 62
Write data hold time	$t_{HE}$	20	—	—	ns	Figure 62
Read data delay time	$t_{DDRE}$	—	—	200	ns	Figure 62
Read data hold time	$t_{DHRE}$	5	—	—	ns	Figure 62

**80-system Bus Interface Timing Characteristics**

(V<sub>CC</sub> = 1.8 to 2.4 V)

Item	Symbol	Min	Typ	Max	Unit	Test Condition
Bus cycle time	Write t <sub>CYCW</sub>	600	—	—	ns	Figure 63
	Read t <sub>CYCR</sub>	800	—	—	ns	Figure 63
Write low-level pulse width	PW <sub>LW</sub>	120	—	—	ns	Figure 63
Read low-level pulse width	PW <sub>LR</sub>	350	—	—	ns	Figure 63
Write high-level pulse width	PW <sub>HW</sub>	300	—	—	ns	Figure 63
Read high-level pulse width	PW <sub>HR</sub>	300	—	—	ns	Figure 63
Write/Read rise/fall time	t <sub>WRr , WRf</sub>	—	—	25	ns	Figure 63
Setup time (RS to CS*, WR*, RD*)	t <sub>AS</sub>	50	—	—	ns	Figure 63
Address hold time	t <sub>AH</sub>	20	—	—	ns	Figure 63
Write data setup time	t <sub>DSW</sub>	60	—	—	ns	Figure 63
Write data hold time	t <sub>H</sub>	20	—	—	ns	Figure 63
Read data delay time	t <sub>DDR</sub>	—	—	300	ns	Figure 63
Read data hold time	t <sub>DHR</sub>	5	—	—	ns	Figure 63

(V<sub>CC</sub> = 2.4 to 3.6 V)

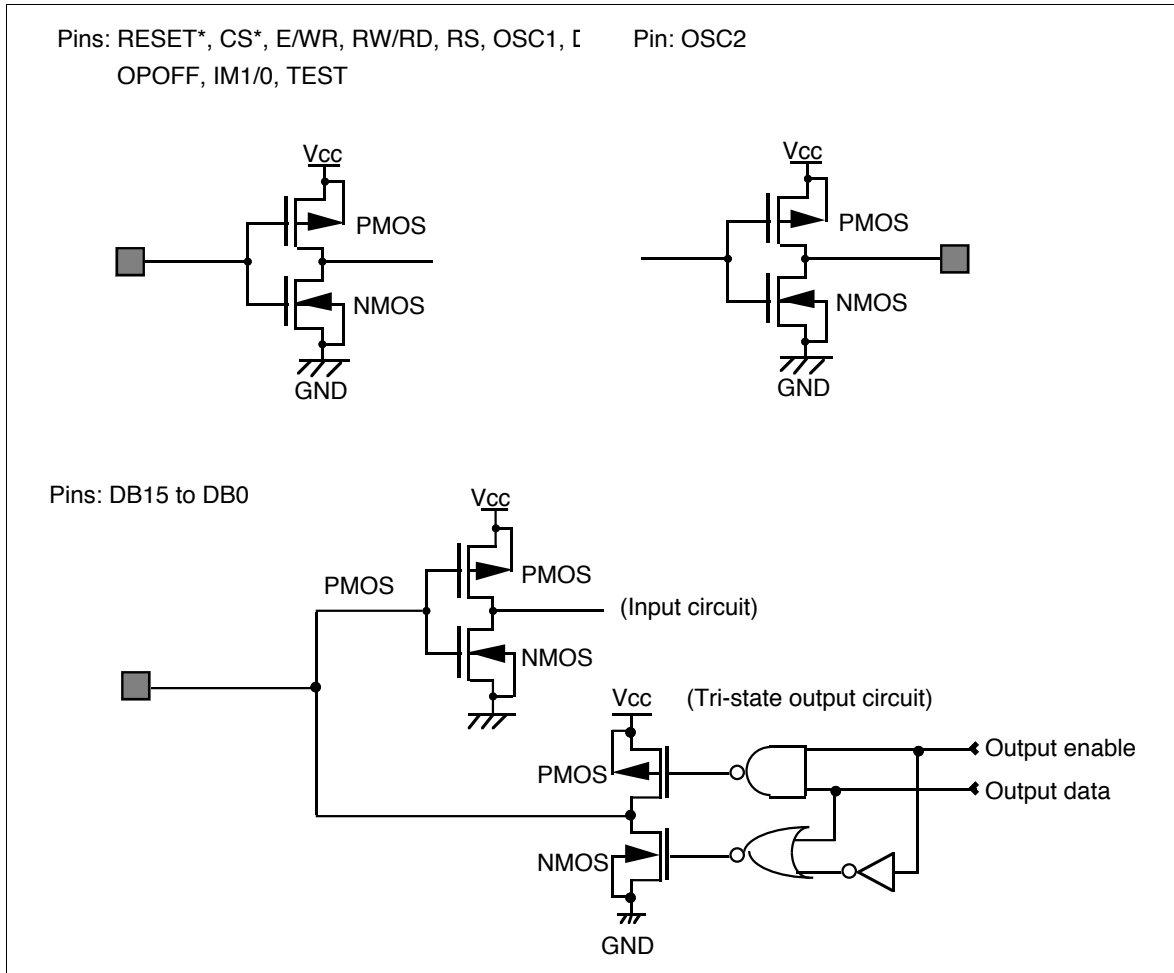
Item	Symbol	Min	Typ	Max	Unit	Test Condition
Bus cycle time	Write t <sub>CYCW</sub>	380	—	—	ns	Figure 63
	Read t <sub>CYCR</sub>	500	—	—	ns	Figure 63
Write low-level pulse width	PW <sub>LW</sub>	70	—	—	ns	Figure 63
Read low-level pulse width	PW <sub>LR</sub>	250	—	—	ns	Figure 63
Write high-level pulse width	PW <sub>HW</sub>	150	—	—	ns	Figure 63
Read high-level pulse width	PW <sub>HR</sub>	150	—	—	ns	Figure 63
Write/Read rise/fall time	t <sub>WRr , WRf</sub>	—	—	25	ns	Figure 63
Setup time (RS to CS*, WR*, RD*)	t <sub>AS</sub>	50	—	—	ns	Figure 63
Address hold time	t <sub>AH</sub>	20	—	—	ns	Figure 63
Write data setup time	t <sub>DSW</sub>	60	—	—	ns	Figure 63
Write data hold time	t <sub>H</sub>	20	—	—	ns	Figure 63
Read data delay time	t <sub>DDR</sub>	—	—	200	ns	Figure 63
Read data hold time	t <sub>DHR</sub>	5	—	—	ns	Figure 63

**Reset Timing Characteristics (V<sub>CC</sub> = 1.8 to 3.6 V)**

Item	Symbol	Min	Typ	Max	Unit	Test Condition
Reset low-level width	t <sub>RES</sub>	1	—	—	ms	Figure 64

**Electrical Characteristics Notes**

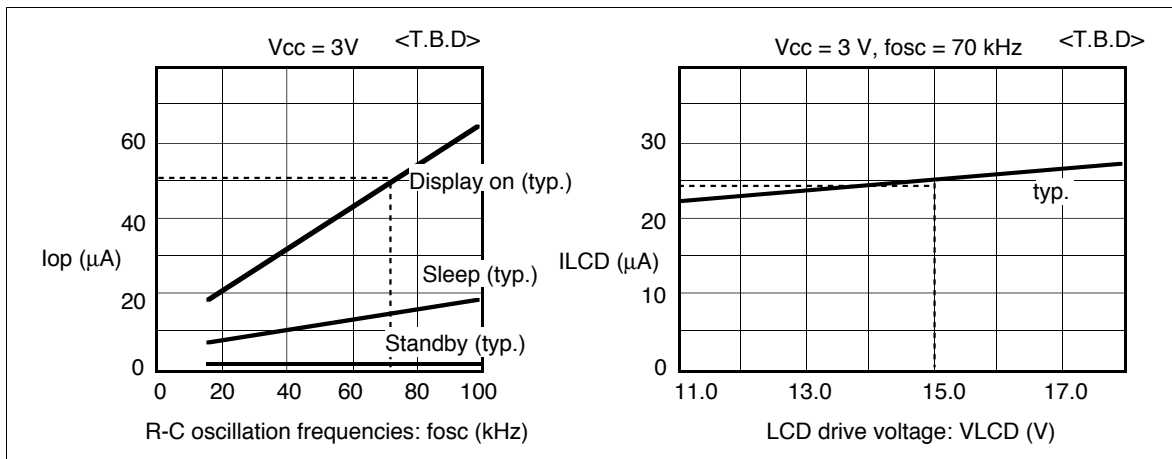
1. For bare die products, specified up to 85°C.
2. The following three circuits are I/O pin configurations (figure 56).



**Figure 56 I/O Pin Configuration**

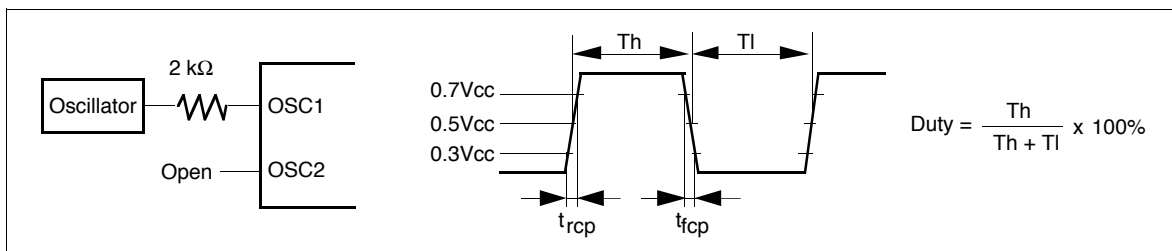


3. The TEST pin must be grounded and the IM1/0 and OPOFF pins must be grounded or connected to Vcc.
4. Applies to the resistor value (RCOM) between powersupply pins V1OUT, V2OUT, V5OUT, GND and common signal pins, and resistor value (RSEG) between powersupply pins V1OUT, V3OUT, V4OUT, GND and segment signal pins.
5. This excludes the current flowing through output drive MOSs.
6. This excludes the current flowing through the input/output units. The input level must be fixed high or low because through current increases if the CMOS input is left floating.
7. The following shows the relationship between the operation frequency (fosc) and current consumption (Icc) (figure 57).



**Figure 57 Relationship between the Operation Frequency and Current Consumption**

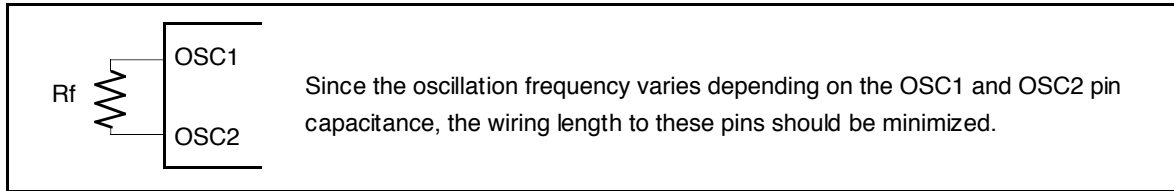
8. Each COM and SEG output voltage is within  $\pm 0.15$  V of the LCD voltage (Vcc, V1, V2, V3, V4, V5) when there is no load.
9. Applies to the external clock input (figure 58).



**Figure 58 External Clock Supply**

## HD66750/1

10. Applies to the internal oscillator operations using external oscillation resistor  $R_f$  (figure 59 and table 28).

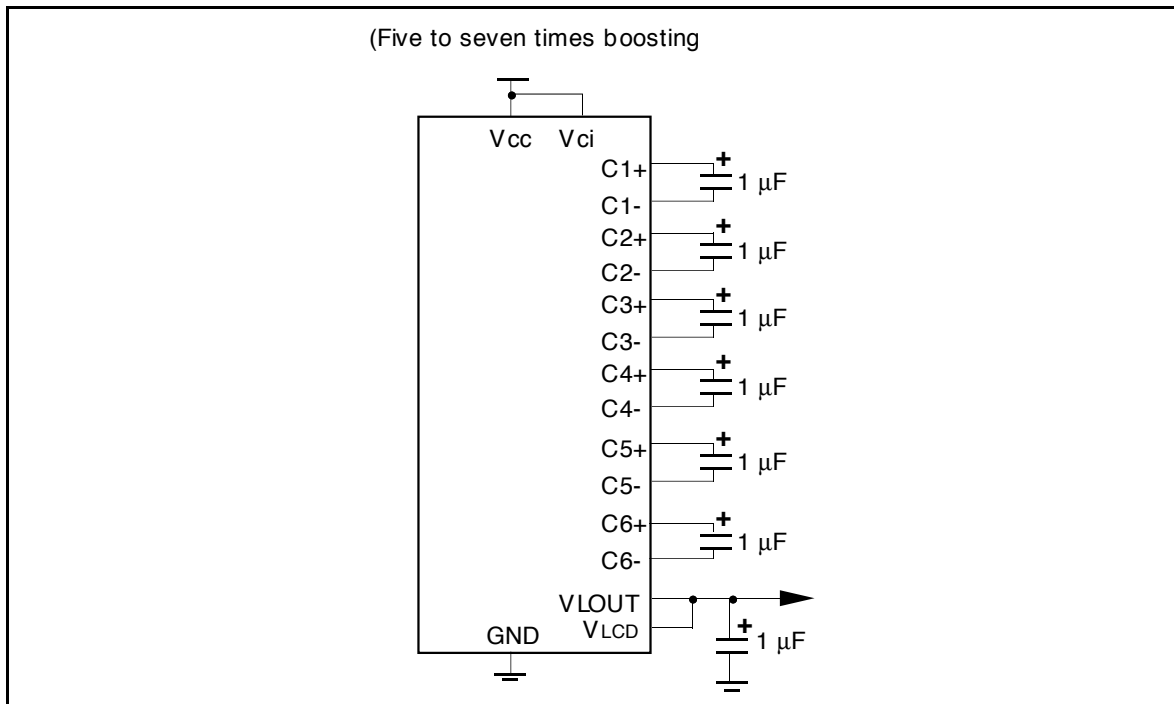


**Figure 59 Internal Oscillation**

**Table 28 External Resistance Value and R-C Oscillation Frequency (Referential Data)**

External Resistance ( $R_f$ )	R-C Oscillation Frequency: $f_{osc}$			
	$V_{cc} = 1.8\text{ V}$	$V_{cc} = 2.2\text{ V}$	$V_{cc} = 3.0\text{ V}$	$V_{cc} = 4.0\text{ V}$
200 k $\Omega$	86 kHz	111 kHz	130 kHz	140 kHz
270 k $\Omega$	70 kHz	86 kHz	100 kHz	108 kHz
300 k $\Omega$	64 kHz	79 kHz	92 kHz	98 kHz
330 k $\Omega$	60 kHz	74 kHz	86 kHz	91 kHz
360 k $\Omega$	57 kHz	69 kHz	79 kHz	84 kHz
390 k $\Omega$	54 kHz	64 kHz	74 kHz	78 kHz
430 k $\Omega$	49 kHz	59 kHz	67 kHz	71 kHz
470 k $\Omega$	46 kHz	54 kHz	61 kHz	65 kHz

11. Booster characteristics test circuits are shown in figure 60.

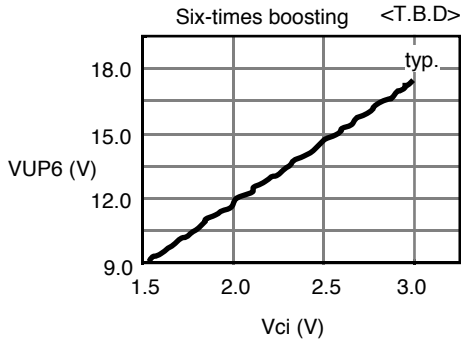


**Figure 60 Booster**

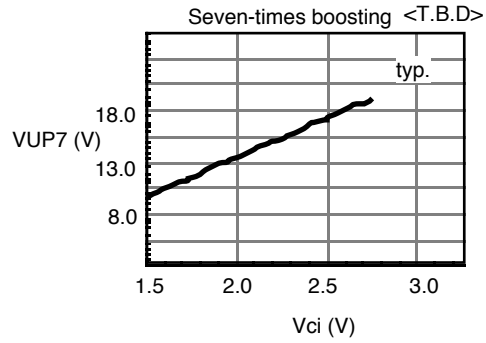
Referential data

VUP6 = VLCD - GND, VUP7 = VLCD - GND

(i) Relation between the obtained voltage and input voltage

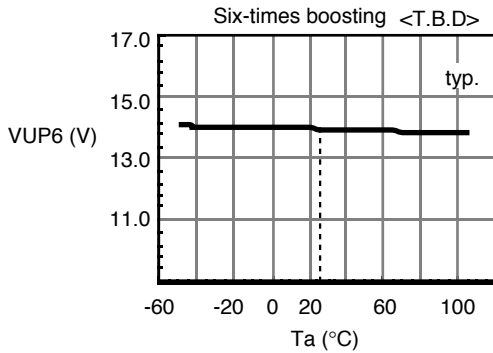


Vci = Vcc, fosc = 70 kHz, Ta = 25°C, DC1 to 0 = 00

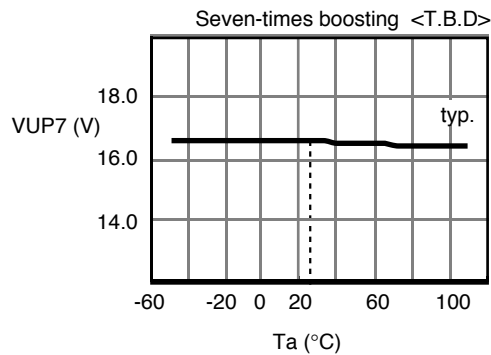


Vci = Vcc, fosc = 70 kHz, Ta = 25°C, DC1 to 0 = 00

(ii) Relation between the obtained voltage and temperature

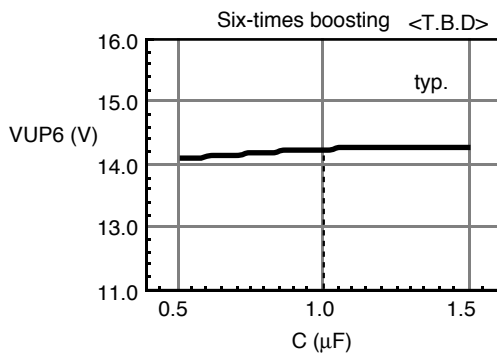


Vci = Vcc = 2.4 V, fosc = 70 kHz, Io = 30 μA, DC1 to 0 = 00

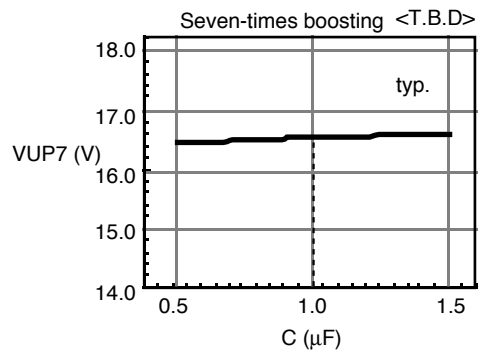


Vci = Vcc = 2.4 V, fosc = 70 kHz, Io = 30 μA, DC1 to 0 = 00

(iii) Relation between the obtained voltage and capacity



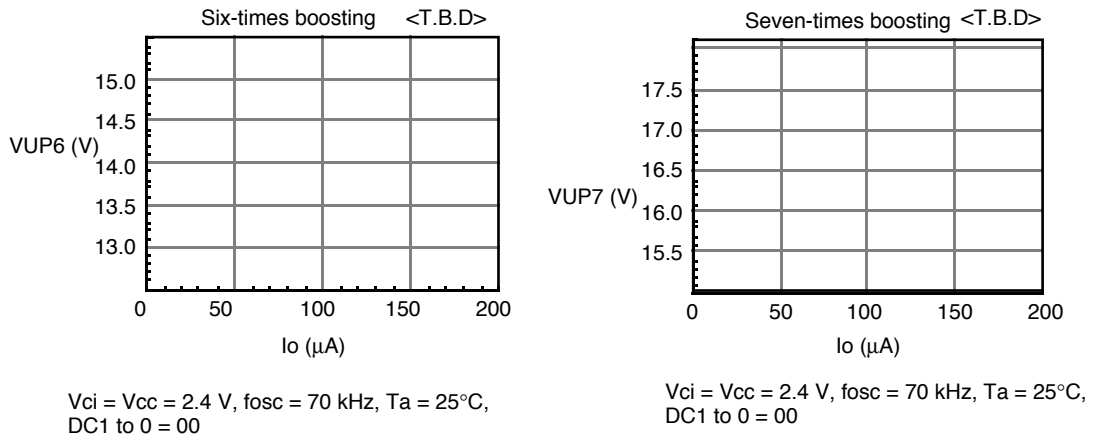
Vci = Vcc = 2.4 V, fosc = 70 kHz, Io = 30 μA, DC1 to 0 = 00



Vci = Vcc = 2.4 V, fosc = 70 kHz, Io = 30 μA, DC1 to 0 = 00

Figure 60 Booster (cont)

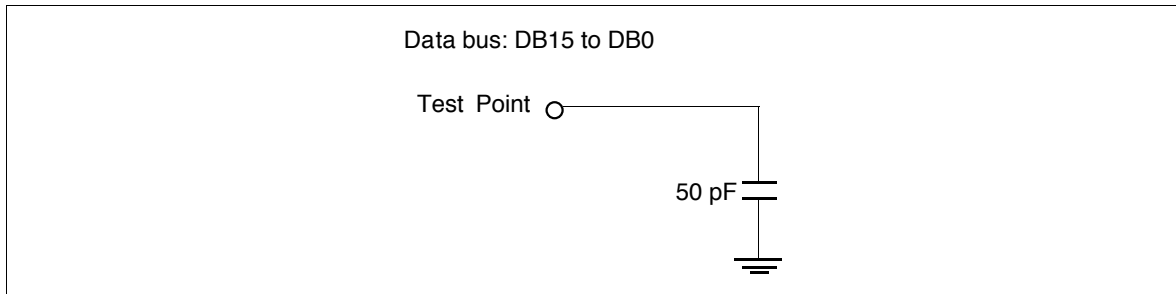
(iv) Relation between the obtained voltage and current



**Figure 60 Booster (cont)**

### Load Circuits

#### AC Characteristics Test Load Circuits



**Figure 61 Load Circuit**

Timing Characteristics

68-system Bus Operation

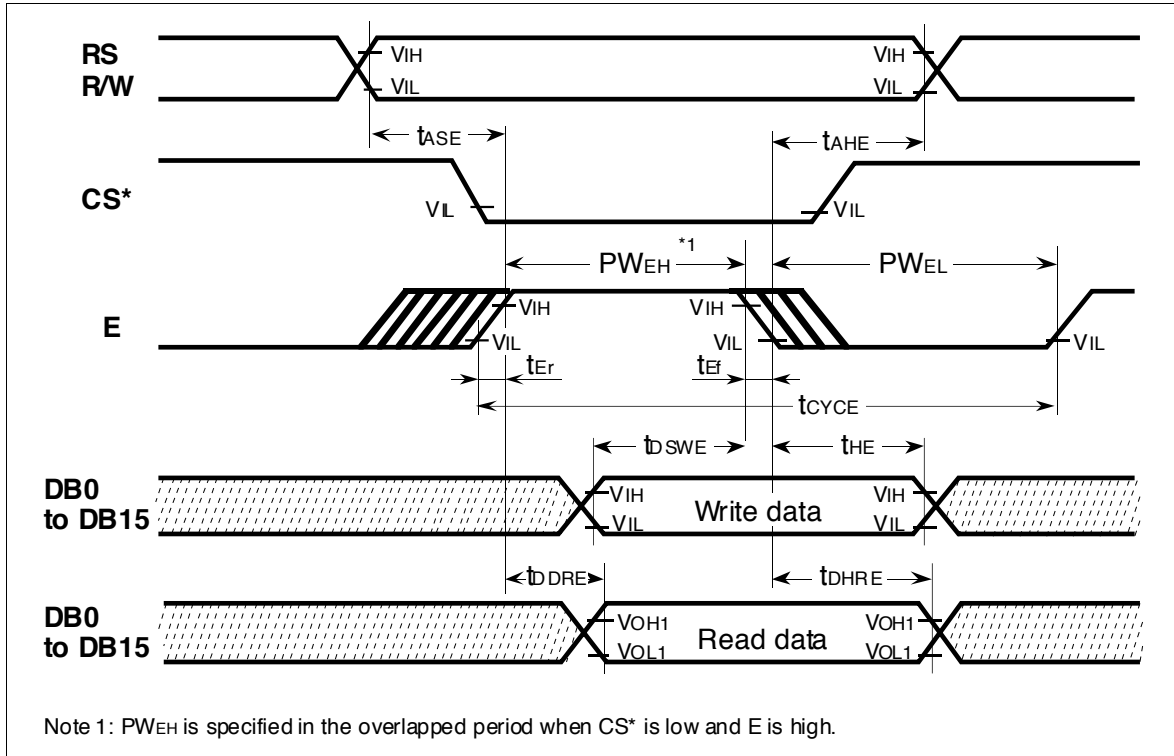


Figure 62 68-system Bus Timing

# HD66750/1

## 80-system Bus Operation

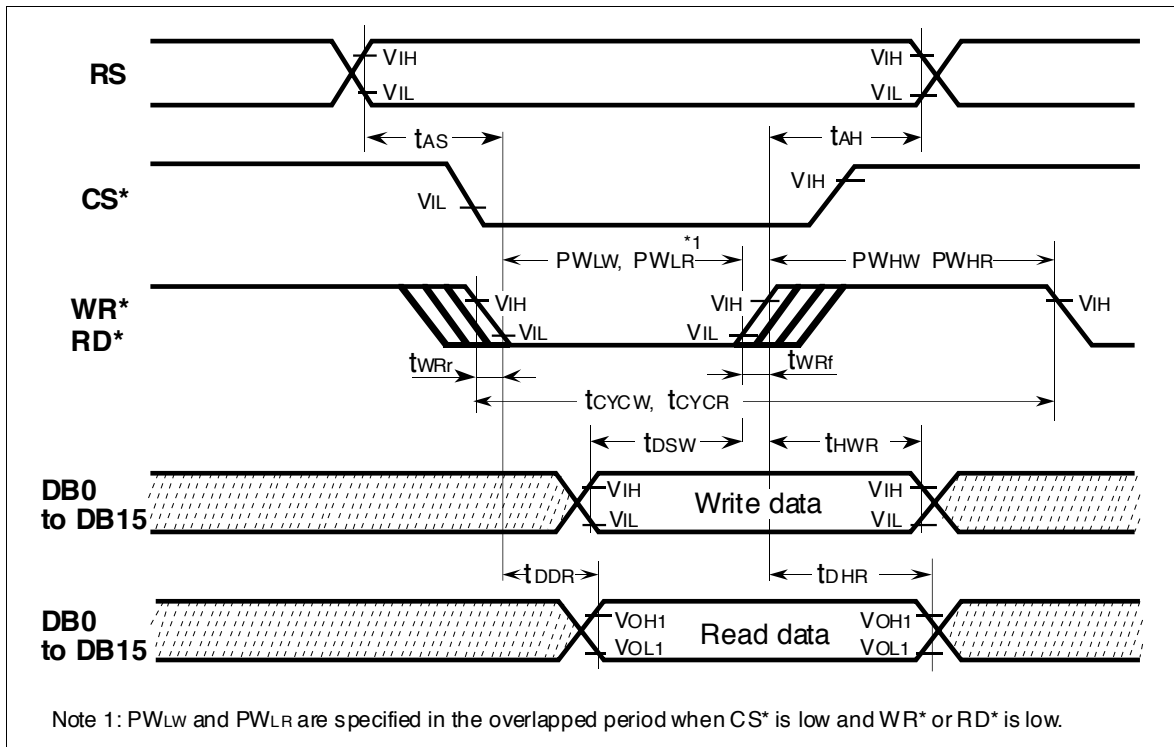


Figure 63 80-system Bus Timing

## Reset Operation

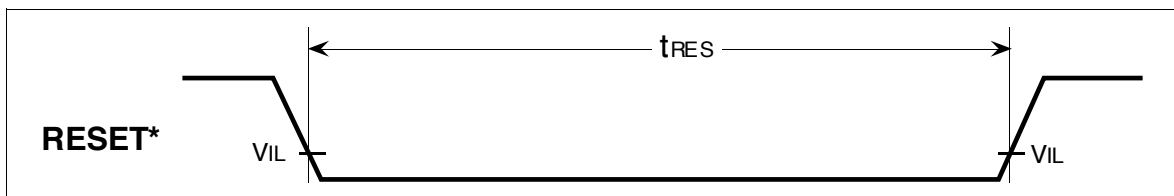


Figure 64 Reset Timing



When using this document, keep the following in mind:

1. This document may, wholly or partially, be subject to change without notice.
2. All right reserved: No one is permitted to reproduce or duplicated, in any form, the whole or part of this document without Hitachi's permission.
3. Hitachi will not be held responsible for any damage to the user that may result from accidents or any other reasons during operation of the user's unit according to this document.
4. Circuitry and other examples described herein are meant merely to indicate the characteristics and performance of Hitachi's semiconductor products. Hitachi assumes no responsibility for any intellectual property claims or other problems that may result from applications based on the examples described herein.
5. No license is granted by implication or otherwise under any patents or other rights of any third party of Hitachi, Ltd.
6. **MEDICAL APPLICATIONS:** Hitachi's products are not authorized for use in **MEDICAL APPLICATIONS** without the written consent of the appropriate officer of Hitachi's sales company. Such use includes, but is not limited to use in life support systems. Buyers of Hitachi's products are requested to notify the relevant Hitachi sales offices when planning to use the products in **MEDICAL APPLICATIONS**.